

# FB-MUX/HS/DI24/PA - Multiplexer



1005332

<https://www.phoenixcontact.com/us/products/1005332>

Please be informed that the data shown in this PDF document is generated from our online catalog. Please find the complete data in the user documentation. Our general terms of use for downloads are valid.



The FB-MUX/HS/DI24/PA head station can be used with up to six 4-channel digital input modules (RAD-DI4-IFS), six 4-channel NAMUR digital input modules (RAD-NAM4-IFS), three 8-channel digital input modules (RAD-DI8-IFS), or any combination of modules for maximum of 24 total channels. This configuration can be used as a high-density digital input solution.

## Product description

The fieldbus PA multiplexer headstation allows the integration of standard Radioline I/O modules to a Profibus PA network. The FB-MUX/HS/PA has five profile software versions for different IO configurations.

## Your advantages

- Scalable according to application needs
- Five application-specific head stations allow simple implementation in the field
- Easy integration into host system with an EDD-, GSD-, or DTM-data file
- Connection of all I/O field signals with standard PROFIBUS PA cable
- No software needed thanks to a pre-configured head station
- IECEx CoC
- UL listed
- Suitable for ATEX Zone 2

## Commercial data

Item number	1005332
Packing unit	1 pc
Sales key	DN11
Product key	DNC135
Catalog page	Page 461 (C-6-2019)
GTIN	4055626475783
Weight per piece (including packing)	182 g
Weight per piece (excluding packing)	182 g
Customs tariff number	85176200
Country of origin	US

## Technical data

### Notes

#### Utilization restriction

CCCex note	Use in potentially explosive areas is not permitted in China.
------------	---

### Product properties

Product type	Interface converter
--------------	---------------------

#### Insulation characteristics

Overvoltage category	II
Degree of pollution	2

### Connection data

Connection method	Screw connection
Stripping length	7 mm
Screw thread	M3
Conductor cross section rigid	0.2 mm <sup>2</sup> ... 2.5 mm <sup>2</sup>
Conductor cross section flexible	0.2 mm <sup>2</sup> ... 2.5 mm <sup>2</sup>
Conductor cross section AWG	24 ... 14
Tightening torque	0.5 Nm ... 0.6 Nm

### Interfaces

#### Data: PROFIBUS PA

Number of connections	1
Connection method	Terminal block

### Dimensions

Width	17.5 mm
Height	114.5 mm
Depth	99 mm

### Material specifications

Flammability rating according to UL 94	V0
Housing material	PA 6.6-FR

### Environmental and real-life conditions

#### Ambient conditions

Degree of protection	IP20
Ambient temperature (operation)	-40 °C ... 70 °C
Ambient temperature (storage/transport)	-40 °C ... 85 °C
Altitude	< 2000 m
Permissible humidity (operation)	20 % ... 95 % (non-condensing)

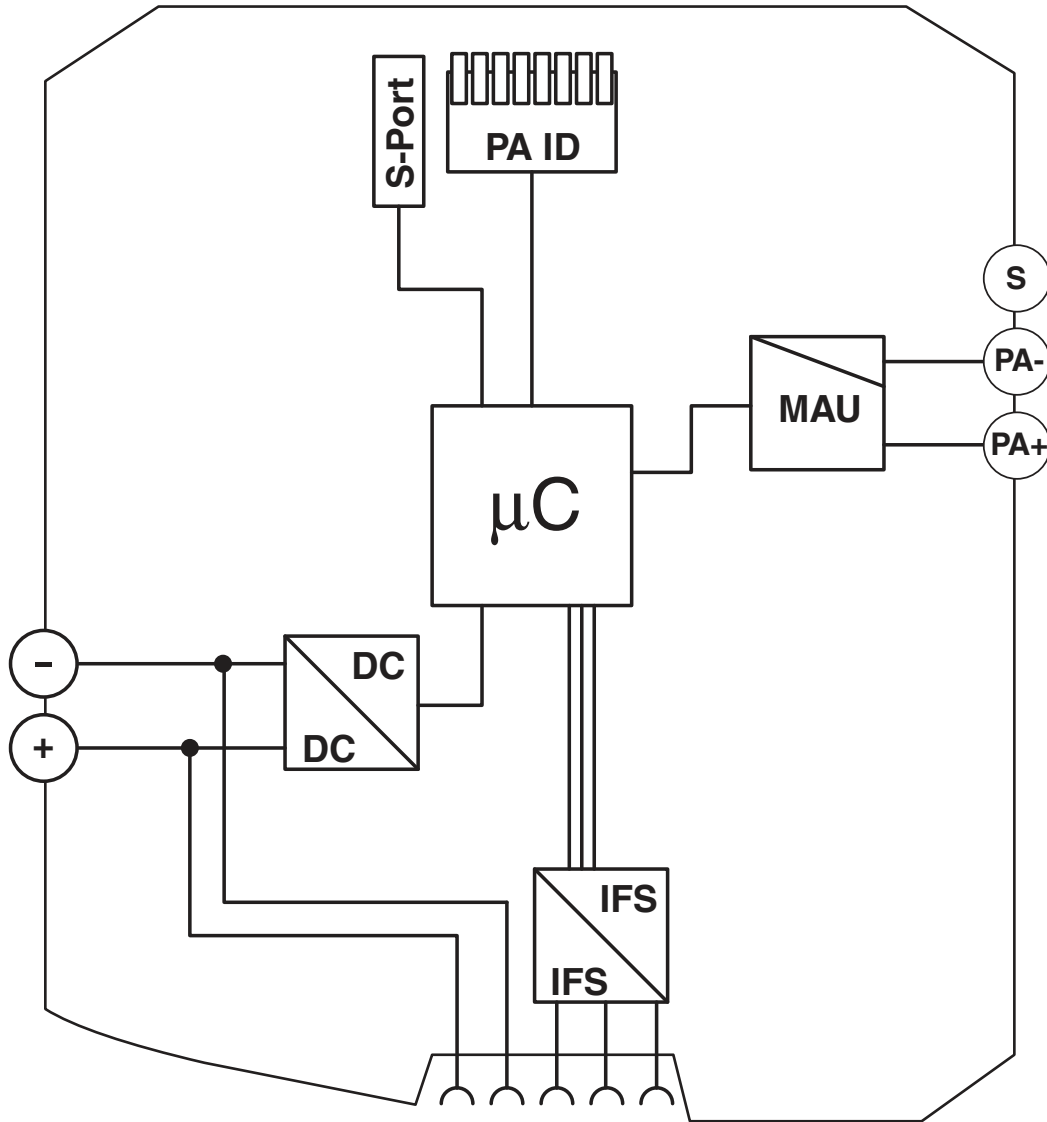
# FB-MUX/HS/DI24/PA - Multiplexer

1005332

<https://www.phoenixcontact.com/us/products/1005332>

## Drawings

Block diagram



# FB-MUX/HS/DI24/PA - Multiplexer



1005332

<https://www.phoenixcontact.com/us/products/1005332>

## Approvals

To download certificates, visit the product detail page: <https://www.phoenixcontact.com/us/products/1005332>



**UL Listed**

Approval ID: FILE E 238705



**cUL Listed**

Approval ID: FILE E 238705



**IECEX**

Approval ID: IECEX IBE 17.0029X



**cUL Listed**

Approval ID: FILE E 358724



**UL Listed**

Approval ID: FILE E 358724



**ATEX**

Approval ID: IBExU17ATEXB011 X

**cULus Listed**

**cULus Listed**

# FB-MUX/HS/DI24/PA - Multiplexer



1005332

<https://www.phoenixcontact.com/us/products/1005332>

## Classifications

### ECLASS

ECLASS-11.0	19179090
ECLASS-12.0	19179090
ECLASS-13.0	19179090

### ETIM

ETIM 8.0	EC002608
----------	----------

### UNSPSC

UNSPSC 21.0	43222600
-------------	----------

# FB-MUX/HS/DI24/PA - Multiplexer



1005332

<https://www.phoenixcontact.com/us/products/1005332>

## Environmental product compliance

REACH SVHC

Lead 7439-92-1

# FB-MUX/HS/DI24/PA - Multiplexer

1005332

<https://www.phoenixcontact.com/us/products/1005332>

## Accessories

### RAD-NAM4-IFS - I/O extension module

2316275

<https://www.phoenixcontact.com/us/products/2316275>



Radioline - I/O extension module, 4 NAMUR digital input module used in Radioline and PROFIBUS PA MUX I/O systems. Fulfills the NAMUR proximity sensor standard EN 60947-5-6, and communication to the head stations for Radioline systems and the FB-MUX/HS...PA via the T-BUS connector installed on the DIN rail. This module has channel-to-channel isolation.

---

### RAD-DI4-IFS - I/O extension module

2901535

<https://www.phoenixcontact.com/us/products/2901535>



Radioline - I/O extension module, 4 digital inputs (0 ... 250 V AC/DC)

# FB-MUX/HS/DI24/PA - Multiplexer

1005332

<https://www.phoenixcontact.com/us/products/1005332>



## RAD-DI8-IFS - I/O extension module

2901539

<https://www.phoenixcontact.com/us/products/2901539>



Radioline - I/O extension module, 8 digital inputs (0 ... 30.5 V DC) or 2 pulse inputs up to 100 Hz

---

Phoenix Contact 2023 © - all rights reserved

<https://www.phoenixcontact.com>

Phoenix Contact USA  
586 Fulling Mill Road  
Middletown, PA 17057, United States  
(+717) 944-1300  
[info@phoenixcon.com](mailto:info@phoenixcon.com)