

P.W.BOARD PATTERN LAYOUT
(REFERENCE)

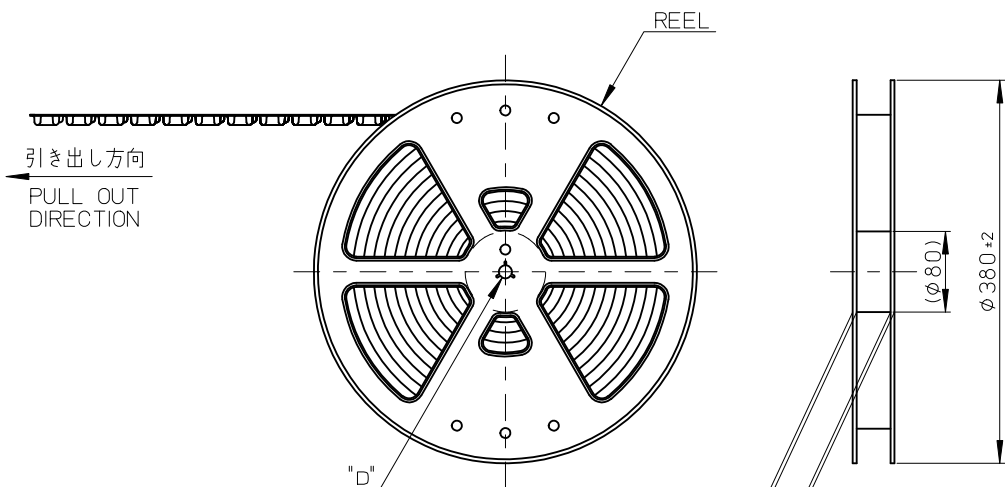
注記 NOTES

1. 使用材料 MATERIAL
ハウジング: 液晶ポリマー(LCP)、ガラス充填、UL94 V-0、黒
HOUSING: LIQUID CRYSTAL POLYMER (LCP),
GLASS FILLED, UL94 V-0, BLACK
ターミナル: 銅合金
TERMINAL: COPPER ALLOY
2. めっき仕様 PLATING
ターミナル TERMINAL
コンタクト部: 金めっき
テール部: 金めっき
下地: ニッケルめっき
*コンタクト部とテール部は、ニッケルメッキによって
分断された金メッキとなります。
CONTACT AREA: GOLD PLATING
SOLDER TAIL AREA: GOLD PLATING
UNDERPLATE: NICKEL PLATING
* GOLD PLATING AREA IS DIVIDED INTO
CONTACT AREA AND SOLDER TAIL AREA
BY NICKEL PLATING.
- △ (全極数/2) = 偶数の場合に適用。
APPLY ONLY WHEN ONE-HALF OF
THE NUMBER OF CIRCUITS IS EVEN NUMBER.
4. 嵌合相手: 503836シリーズ
MATE WITH: 503836 SERIES
5. テール平坦度は、0.1MAX.
TAIL COPLANARITY TO BE 0.1 MAXIMUM.
6. ELV及びRoHS適合品
ELV AND RoHS COMPLIANT.

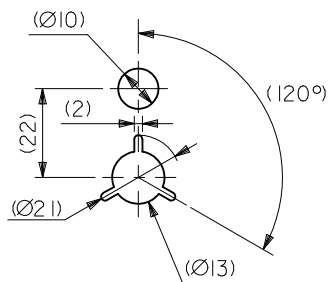
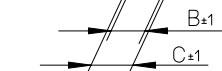
RELEASED EC NO.: J2012-1383 DRAWN: MTAKAHASHI 03 2012/05/14 CH'KDR: TAKEUCHI 2012/05/14 APPR: MSASAO 2012/05/14	GENERAL TOLERANCES (UNLESS SPECIFIED)		DIMENSION STYLE MM ONLY		SCALE 10:1	DESIGN UNITS METRIC	THIRD ANGLE PROJECTION
	10 UNDER	± 0.2	DRAWN BY MTAKAHASHI	DATE 032012/05/14	TITLE 0.5 BB CONN. HGT=3.0 PLUG ASSY		
	10 OVER 30 UNDER	± 0.25	CHECKED BY RTAKEUCHI	DATE 2012/05/14			
	30 OVER	± 0.3	APPROVED BY MSASAO	DATE 2012/05/14	molex		
ANGULAR ±1°		MATERIAL NO. SEE CHART		DOCUMENT NO. SD-503842-001			
DRAFT WHERE APPLICABLE MUST REMAIN WITHIN DIMENSIONS		SIZE A3		THIS DRAWING CONTAINS INFORMATION THAT IS PROPRIETARY TO MOLEX INCORPORATED AND SHOULD NOT BE USED WITHOUT WRITTEN PERMISSION			

注記 NOTES

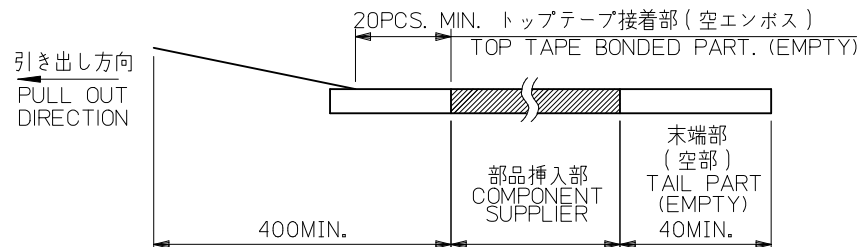
- 製品詳細寸法については製品単体図面を参照下さい。
FOR DETAIL OF CONNECTOR DIMENSIONS,
PLEASE SEE THE DRAWING OF CONNECTOR ITSELF (NOT PACKAGED).
- 梱包数量: 2500 個/リール
NUMBER OF CONNECTORS : 2500PCS/REEL
- リードテープ長さ LEAD TAPE LENGTH



引き出し方向
PULL OUT DIRECTION



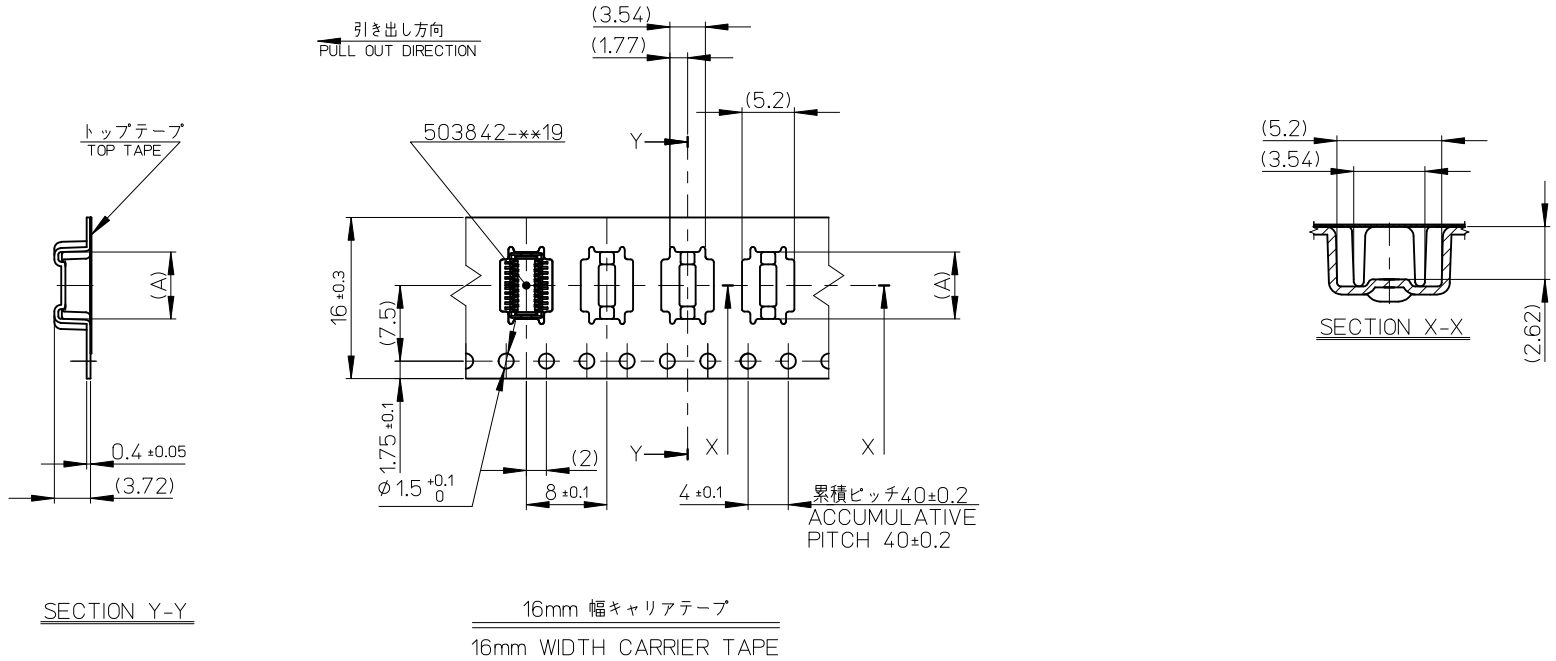
DETAIL "D"



引き出し方向
PULL OUT DIRECTION

- 材料 MATERIAL
キャリアテープ (CARRIER TAPE): ポリスチレン (POLYSTYRENE)
トップテープ (TOP TAPE): PET, OTHER
リール (REEL): ポリスチレン (PS) <リサイクル材を含む>
POLYSTYRENE (PS) <RECYCLE MATERIAL CONTAINED>
- ELV及びRoHS適合品
ELV AND RoHS COMPLIANT

RELEASED EC NO.: J2012-1387 DRWN: MTAKAHASHI 03 2012/05/15 CHKD: RTAKEUCHI 2012/05/15 APPR: MSASAO 2012/05/16	GENERAL TOLERANCES (UNLESS SPECIFIED)		DIMENSION STYLE MM ONLY		SCALE ---	DESIGN UNITS METRIC	MODEL NO. 503842-**10
	10 UNDER	± ---	DRAWN BY DATE MTAKAHASHI 03 2012/05/15		TITLE 0.5 BB CONN. H=3.0 PLUG ASSY EMBSTP PKG		
	10 OVER 30 UNDER	± ---	CHECKED BY DATE RTAKEUCHI 2012/05/15				
	30 OVER	± ---	APPROVED BY DATE MSASAO 2012/05/16				
ANGULAR	± --- °	MATERIAL NO. SEE TABLE		DOCUMENT NO. SD-503842-002		SHEET NO. 1 OF 2	
DRAFT WHERE APPLICABLE MUST REMAIN WITHIN DIMENSIONS		THIS DRAWING CONTAINS INFORMATION THAT IS PROPRIETARY TO MOLEX INCORPORATED AND SHOULD NOT BE USED WITHOUT WRITTEN PERMISSION					



16	21.4	17.4	7.65	503842-2410	24
			6.65	503842-2010	20
キャリアテープ幅 CARRIER TAPE WIDTH			C	B	(A)
			MATERIAL No.		CKT.
			MODEL No.		503842-**10

RELEASED EC NO.: J2012-1387 DRWN: MTAKAHASHI 03 2012/05/15 CHK'D: RTAKEUCHI 2012/05/15 APPR: MSASAO 2012/05/16	DESCRIPTION REV: 0	GENERAL TOLERANCES (UNLESS SPECIFIED)		DIMENSION STYLE MM ONLY		SCALE ---	DESIGN UNITS METRIC	THIRD ANGLE PROJECTION		
		10 UNDER	± ---	DRAWN BY MTAKAHASHI 03		DATE 2012/05/15		TITLE 0.5 BB CONN. H=3.0 PLUG ASSY EMBSTP PKG		
		10 OVER 30 UNDER	± ---	CHECKED BY RTAKEUCHI		DATE 2012/05/15				
		30 OVER	± ---	APPROVED BY MSASAO		DATE 2012/05/16				
ANGULAR ± --- °		DRAFT WHERE APPLICABLE MUST REMAIN WITHIN DIMENSIONS		MATERIAL NO. SEE CHART		DOCUMENT NO. SD-503842-002		SHEET NO. 2 OF 2		