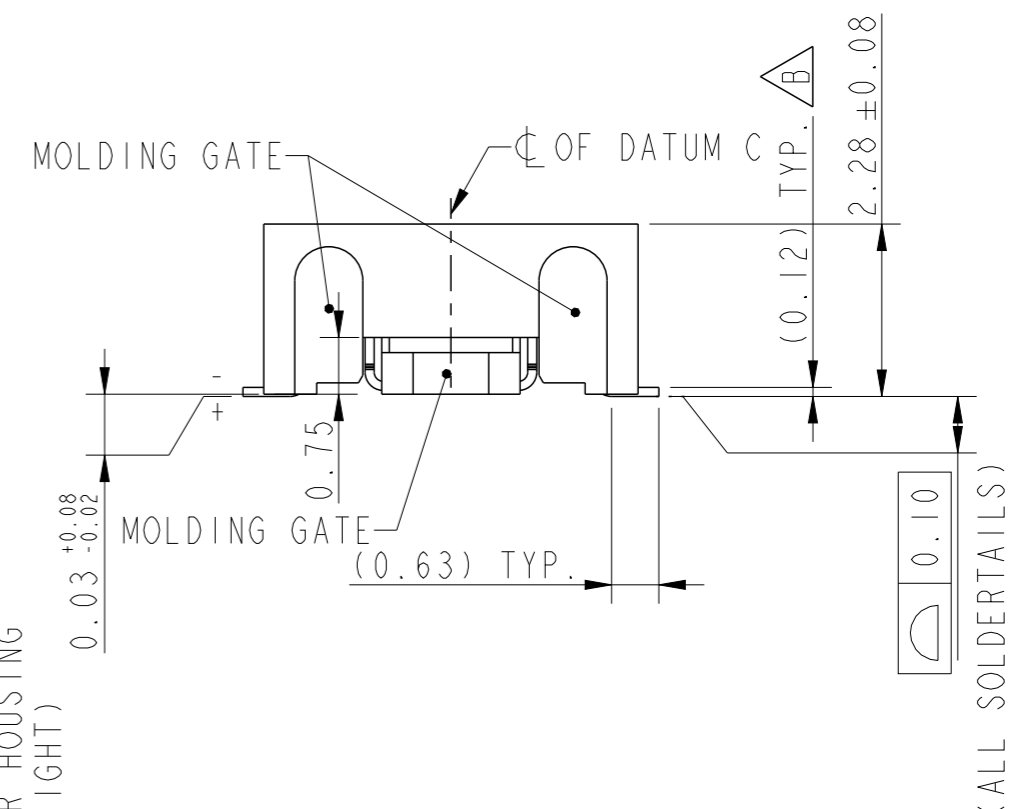
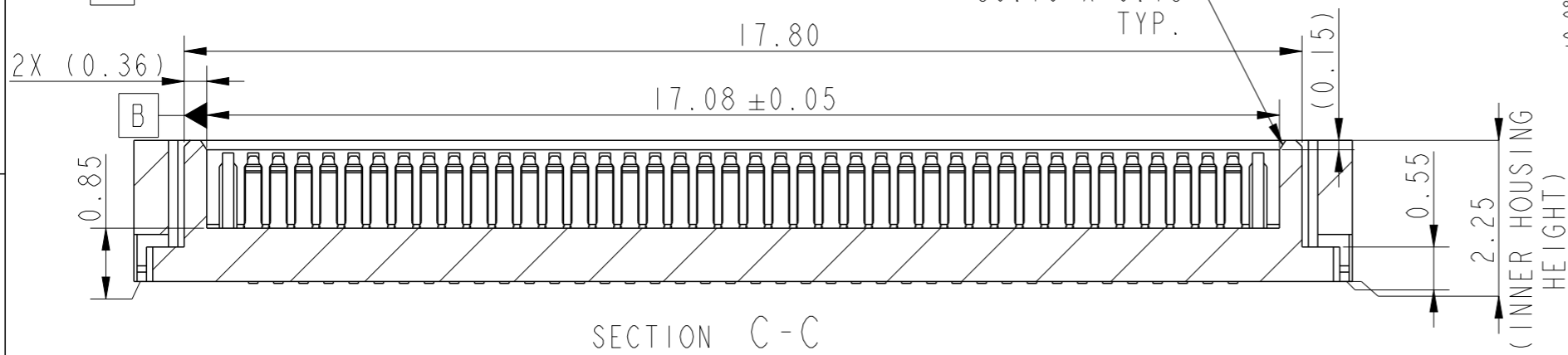
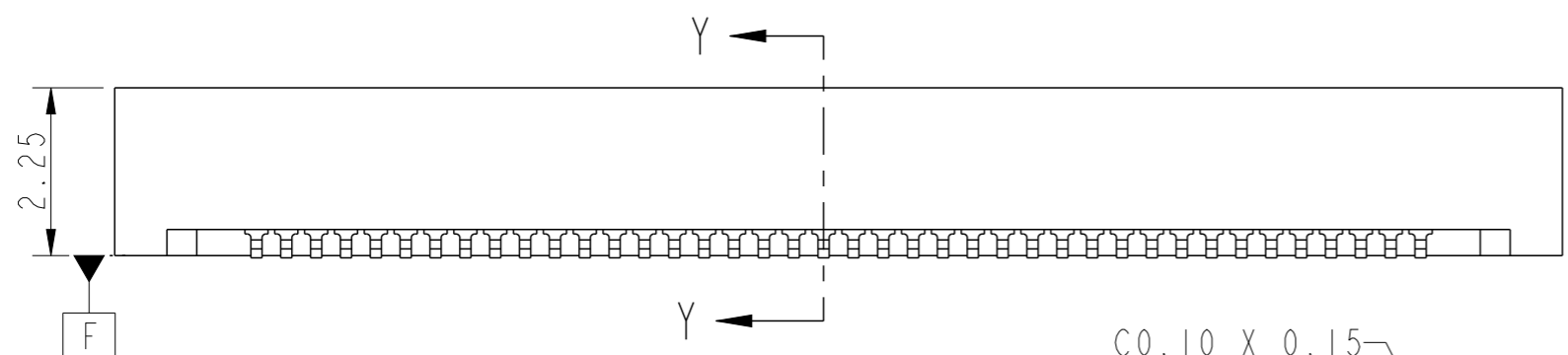
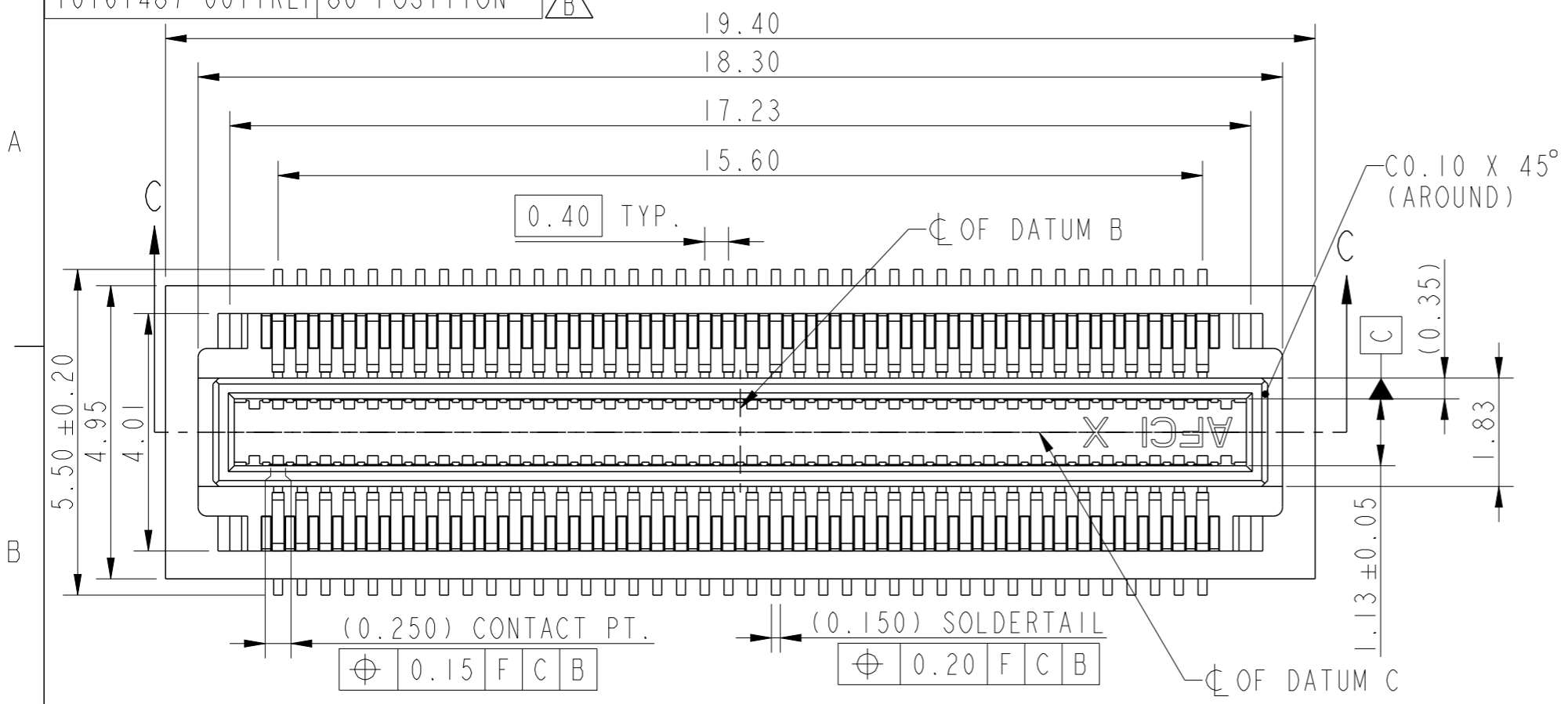


PRODUCT NO.	REMARK
10161487-00ITRLF	80 POSITION



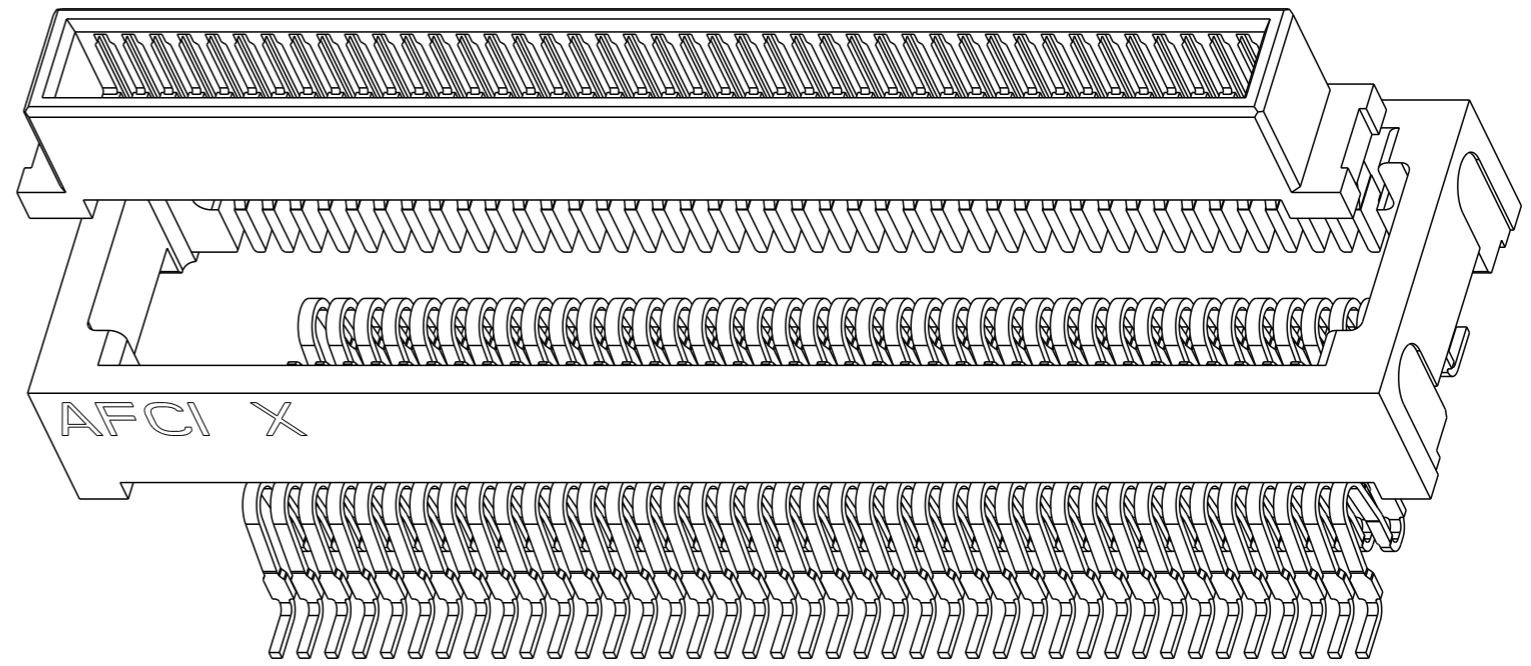
SECTION C-C

spec ref	ASME Y14.5	dr	Jeffrey Lim	2021/02/23	projection	MM	size	A3	scale	10:1											
tolerance std	TOLERANCES UNLESS OTHERWISE SPECIFIED	eng	Jeffrey Lim	2021/05/06			ecn no	ELX-S-40850-1													
surface	<table border="1"> <tr> <td>linear</td> <td>0.X</td> <td>± -</td> </tr> <tr> <td></td> <td>0.XX</td> <td>± 0.15</td> </tr> <tr> <td></td> <td>0.XXX</td> <td>± -</td> </tr> <tr> <td>angular</td> <td>0°</td> <td>± 3°</td> </tr> </table>	linear	0.X	± -				0.XX	± 0.15		0.XXX	± -	angular	0°	± 3°	chr	-	product family	-	rel level	Released
linear	0.X	± -																			
	0.XX	± 0.15																			
	0.XXX	± -																			
angular	0°	± 3°																			
appr	Koon-Poh Tay	2021/05/07	<b>Amphenol FCI</b> title 0.4PITCH 80P FLOATING BTB RECEPTACLE		cat. no.	-	Product - Customer Drw	sheet 1 of 3 rev B	dwg no 10161487												

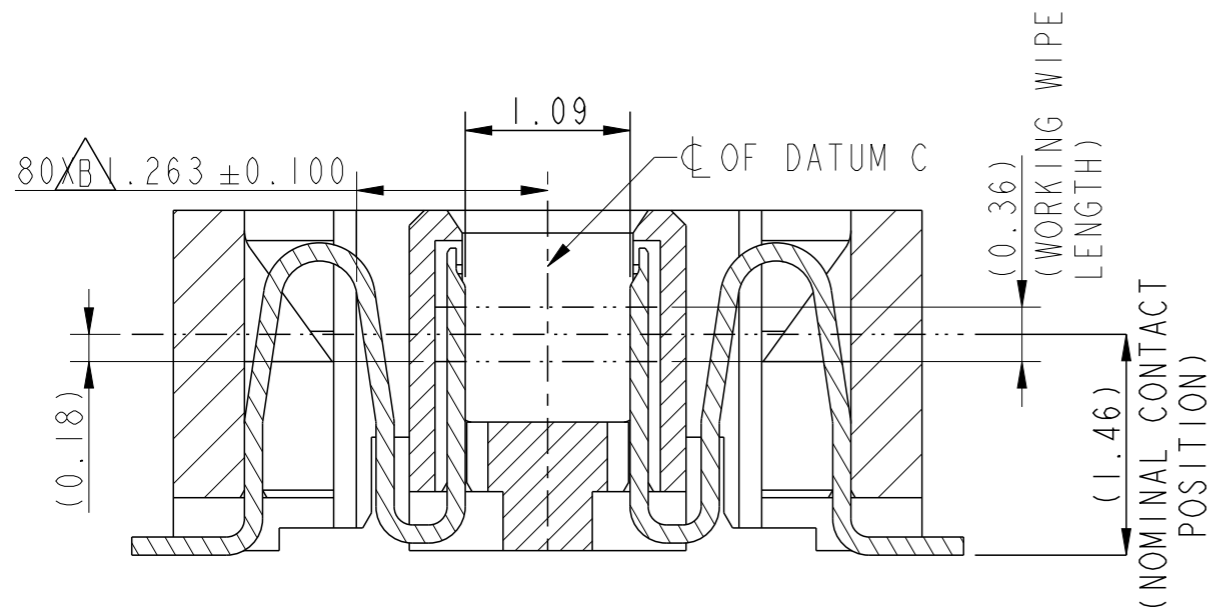
Creo File:ELX-WC-A3C.REV F.2020-12-21

© 2020 Amphenol Corporation  
 Amphenol FCI

PRODUCT NO.	PACKAGING
10161487-001TRLF	TAPE & REEL



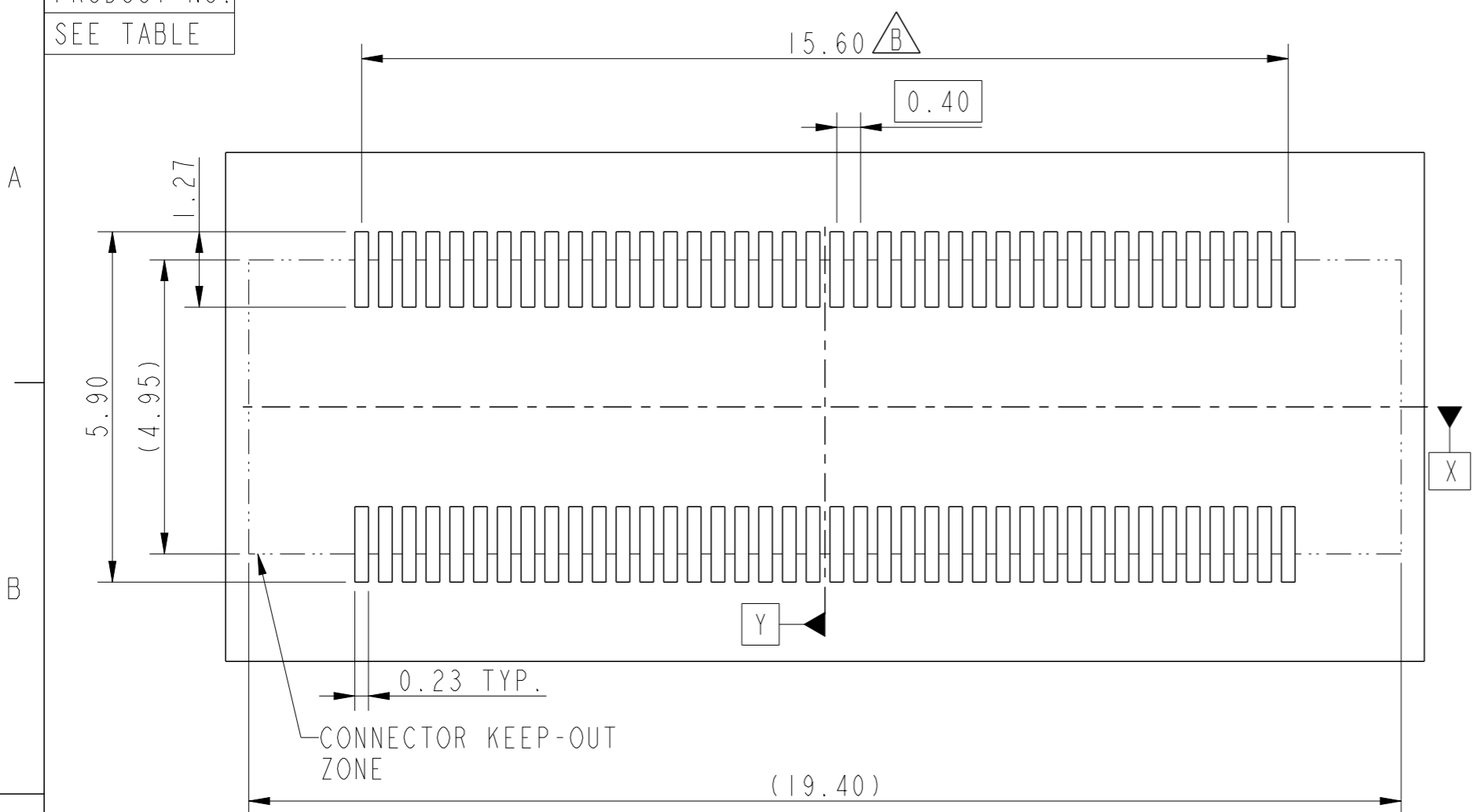
EXPLODED VIEW



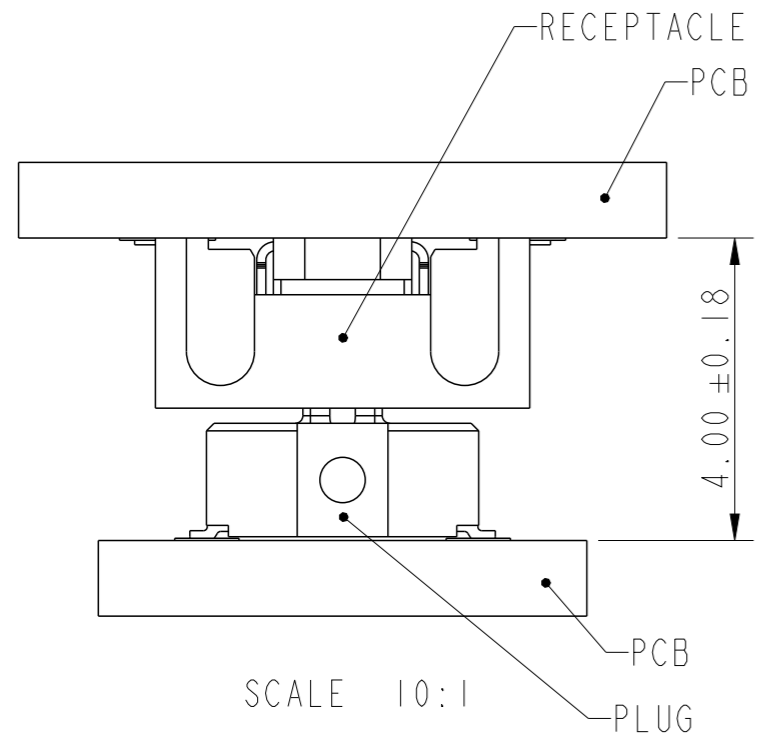
SECTION Y-Y  
SCALE 20:1

spec ref	ASME Y14.5	dr	Jeffrey Lim	2021/02/23	projection	MM	size	A3	scale	10:1											
tolerance std	TOLERANCES UNLESS OTHERWISE SPECIFIED	eng	Jeffrey Lim	2021/05/06			ecn no	ELX-S-40850-1													
surface	<table border="1"> <tr> <td>linear</td> <td>0.X</td> <td>± -</td> </tr> <tr> <td></td> <td>0.XX</td> <td>± 0.15</td> </tr> <tr> <td></td> <td>0.XXX</td> <td>± -</td> </tr> <tr> <td>angular</td> <td>0°</td> <td>± 3°</td> </tr> </table>	linear	0.X	± -				0.XX	± 0.15		0.XXX	± -	angular	0°	± 3°	chr	-	product family	-	rel level	Released
linear	0.X	± -																			
	0.XX	± 0.15																			
	0.XXX	± -																			
angular	0°	± 3°																			
appr	Koon-Poh Tay	2021/05/07	<b>Amphenol FCI</b> 0.4PITCH 80P FLOATING BTB RECEPTACLE			dwg no	10161487			rev	B										
amphenol-icc.com		cat. no.	-			Product - Customer Drw			sheet 2 of 3												

PRODUCT NO.  
SEE TABLE



SCALE 10:1  
RECOMMENDED PCB LAYOUT



SCALE 10:1

NOTES:

- MATERIAL:  
A) HOUSING: HIGH TEMPERATURE THERMOPLASTIC, COLOR: NATURAL  
B) TERMINAL: COPPER ALLOY
- FINISH:  
TERMINAL: 0.2um MIN. Au(CONTACT) AND 0.05um MIN. Au (SOLDERTAIL) PLATING OVER 1.27um MIN. Ni UNDERPLATE OVERALL
- WITH PLUG P/N. 10161488, THE MATED PAIR SHALL ALLOW X/Y +/-0.20MM DISPLACEMENT OFFSET
- PRODUCT SPEC.: GS-12-1489
- PACKAGING SPEC.: GS-14-2631(TAPE & REEL)
- APPLICATION SPEC.: GS-20-0662
- THIS PRODUCT MEETS EUROPEAN UNION DIRECTIVES AND OTHER COUNTRY REGULATIONS AS DESCRIBED IN GS-47-0004
- THE HOUSING WILL WITHSTAND EXPOSURE TO 260°C PEAK TEMPERATURE FOR 10 SECONDS IN A CONVECTION, INFRA-RED OR VAPOR PHASE REFLOW OVEN
- A SYMBOL  $\triangle B$  WILL BE NEXT TO ANY DIMENSION, VIEW OR NOTE WHICH HAS BEEN MODIFIED WITH THE CURRENT DRAWING REVISION

spec ref	ASME Y14.5	dr	Jeffrey Lim	2021/02/23	projection	MM	size	A3	scale	4:1							
tolerance std	TOLERANCES UNLESS OTHERWISE SPECIFIED	eng	Jeffrey Lim	2021/05/06			ecn no	ELX-S-40850-1	rel level	Released							
surface	<table border="1"> <tr> <td>linear</td> <td>0.X</td> <td>± -</td> </tr> <tr> <td></td> <td>0.XX</td> <td>±0.15</td> </tr> <tr> <td></td> <td>0.XXX</td> <td>± -</td> </tr> <tr> <td>angular</td> <td>0°</td> <td>±3°</td> </tr> </table>	linear	0.X	± -				0.XX	±0.15		0.XXX	± -	angular	0°	±3°	chr	-
linear	0.X	± -															
	0.XX	±0.15															
	0.XXX	± -															
angular	0°	±3°															
apppr	Koon-Poh Tay	2021/05/07	<b>Amphenol FCI</b> 0.4PITCH 80P FLOATING BTB RECEPTACLE		cat. no.	Product - Customer Drw	dwg no	10161487	rev	B							
		amphenol-icc.com				sheet 3 of 3											