

PN/DATE CODE TO BE PRINTED IN APPROXIMATE AREA AS SHOWN.

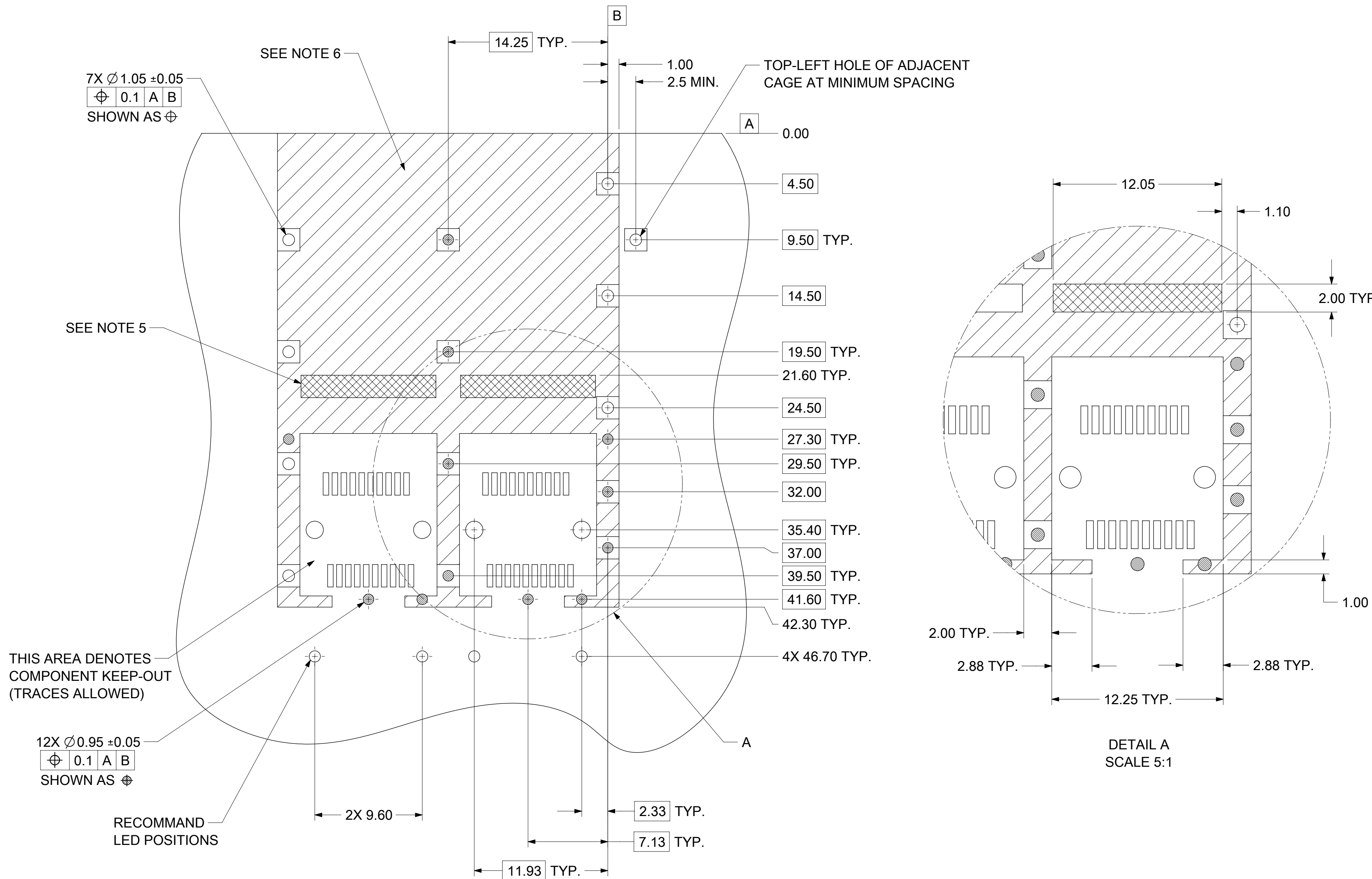
WEEK/YEAR DATE CODE TABLE	
WW	01 THRU 52 OR 53 EXAMPLE: 01 = FIRST WEEK OF YEAR 52 = LAST WEEK OF YEAR
YY	22, 23, 24 ETC. EXAMPLE: YEAR 2022 = 22

THIS DRAWING CONTAINS INFORMATION THAT IS PROPRIETARY TO MOLEX ELECTRONIC TECHNOLOGIES, LLC AND SHOULD NOT BE USED WITHOUT WRITTEN PERMISSION									
DIMENSION UNITS		SCALE		CURRENT REV DESC: SEE REVISION TABLE					
mm		2.5:1		<p>molex</p> <p>ZSFP+ 1X2 CAGE ASSEMBLY PRESS FIT W/ SUS EMI SPRING FINGERS AND DUAL LIGHT PIPE</p> <p>PRODUCT CUSTOMER DRAWING</p> <p>DOCUMENT NUMBER: 1001138702 DOC TYPE: PSD DOC PART: ASY REVISION: A</p> <p>MATERIAL NUMBER: 1001138702 CUSTOMER: SHEET NUMBER: 1 OF 5</p>					
GENERAL TOLERANCES (UNLESS SPECIFIED)									
ANGULAR TOL ± 1.0°									
4 PLACES ±									
3 PLACES ±									
2 PLACES ± 0.13									
1 PLACE ± 0.25									
0 PLACES ±				EC NO: 707505		DRWN: SKRISHNAMURT 2022/04/07		CHK'D: TKUMARKC 2022/05/20	
DRAFT WHERE APPLICABLE MUST REMAIN WITHIN DIMENSIONS				THIRD ANGLE PROJECTION		DRAWING: C-SIZE		SERIES: 100113	

- NOTES:
- MATERIAL:
CAGE: 0.25mm THICK COPPER ALLOY, NICKEL PLATED.
SPRING FINGERS: STAINLESS STEEL.
HEATSINK: ALUMINUM, NICKEL PLATED.
HEATSINK SPRING CLIP: STAINLESS STEEL.
LIGHT PIPE: POLYCARBONATE (94-V0 RATED).
 - PRESS FIT LEGS 3.05mm LONG
 - PORTS ARE DESIGNED FOR zSFP+ TRANSCEIVERS AND ARE COMPATIBLE WITH SFP & SFP+ TRANSCEIVERS. THE TOP SURFACE OF THE MODULE MUST BE FLAT (NO PRODUCT LABEL RECESS) AND THERMALLY CONDUCTIVE TO FUNCTION OPTIMALLY.
 - WELD SPOT MAY SHOW SLIGHT MATERIAL DISCOLORATION.
 - NO RoHS EXEMPTIONS.

DOCUMENT STATUS	P1	RELEASE DATE	2022/05/20	08:36:25
-----------------	----	--------------	------------	----------

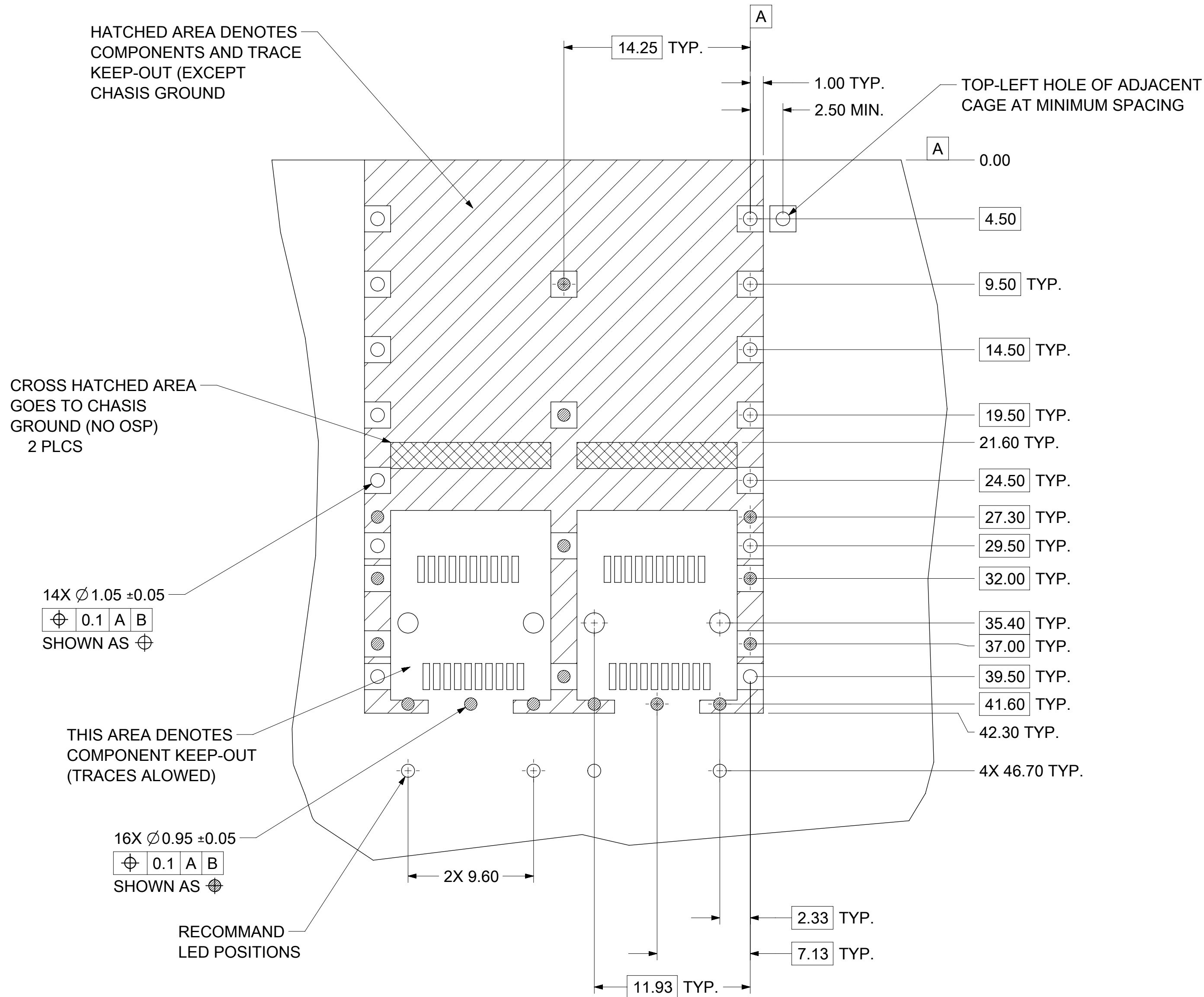
PCB LAYOUT - SINGLE SIDE ONLY



- NOTES:**
- PADS AND VIAS CONNECT TO CHASSIS GROUND
RECOMMEND PADS TO BE 2.00mm SQUARE
 - RECOMMENDED THRU HOLE PLATING INCLUDES HASL, OSP, OR IMMERSION (GOLD, SILVER, OR TIN)
 - CONNECTOR PAD LAYOUT PER SFP+ MSA WILL ACCOMODATE MOLEX CONNECTOR SERIES 74441 OR EQUIVALENT.
 - SPACING BETWEEN PORTS IS 14.25mm
 - CROSS-HATCHED AREA IS EXPOSED CHASSIS GROUND (NO OSP)
 - HATCHED AREA IS COMPONENT AND TRACE KEEP-OUT (EXCEPT CHASSIS GROUND)
 - 1.57mm MINIMUM PCB THICKNESS FOR SINGLE SIDED USE.

THIS DRAWING CONTAINS INFORMATION THAT IS PROPRIETARY TO MOLEX ELECTRONIC TECHNOLOGIES, LLC AND SHOULD NOT BE USED WITHOUT WRITTEN PERMISSION									
DIMENSION UNITS		SCALE		CURRENT REV DESC: SEE REVISION TABLE					
mm		2:1		<p>molex</p> <p>ZSFP+ 1X2 CAGE ASSEMBLY PRESS FIT W/ SUS EMI SPRING FINGERS AND DUAL LIGHT PIPE</p> <p>PRODUCT CUSTOMER DRAWING</p> <p>DOCUMENT NUMBER: 1001138702 DOC TYPE: PSD DOC PART: ASY REVISION: A</p> <p>MATERIAL NUMBER: 1001138702 CUSTOMER: SHEET NUMBER: 2 OF 5</p>					
GENERAL TOLERANCES (UNLESS SPECIFIED)									
ANGULAR TOL $\pm 1.0^\circ$									
4 PLACES \pm									
3 PLACES \pm									
2 PLACES ± 0.13									
1 PLACE ± 0.25									
0 PLACES \pm									
DRAFT WHERE APPLICABLE MUST REMAIN WITHIN DIMENSIONS		THIRD ANGLE PROJECTION		DRAWING		SERIES		MATERIAL NUMBER	
		C-SIZE		100113		1001138702		CUSTOMER	

PCB LAYOUT FOR BELLY TO BELLY MOUNTING



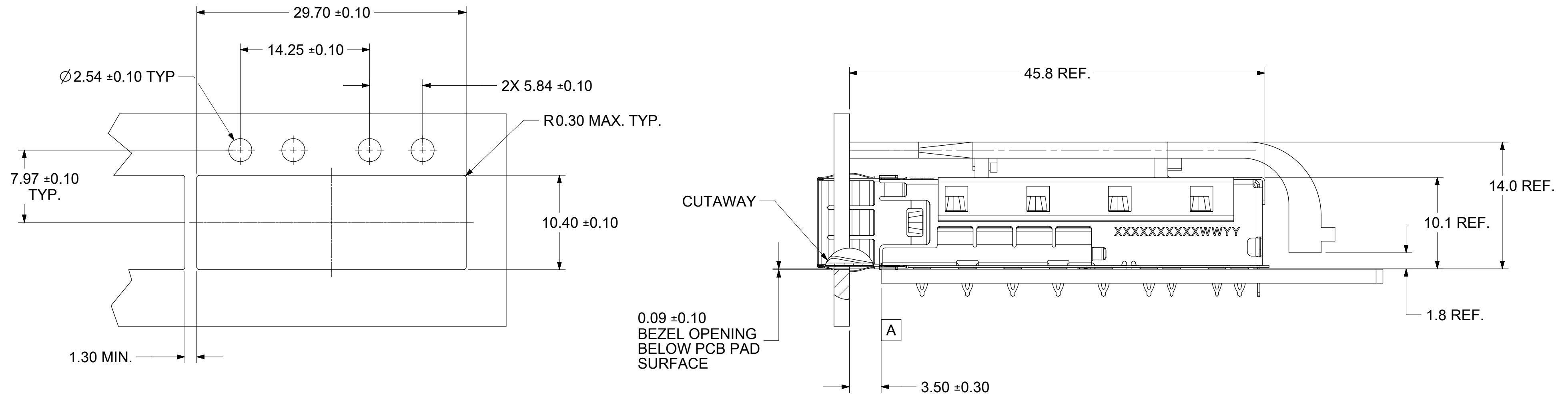
NOTE:
SEE SHEET 2 FOR HOST
CONNECTOR DETAIL

NOTES:

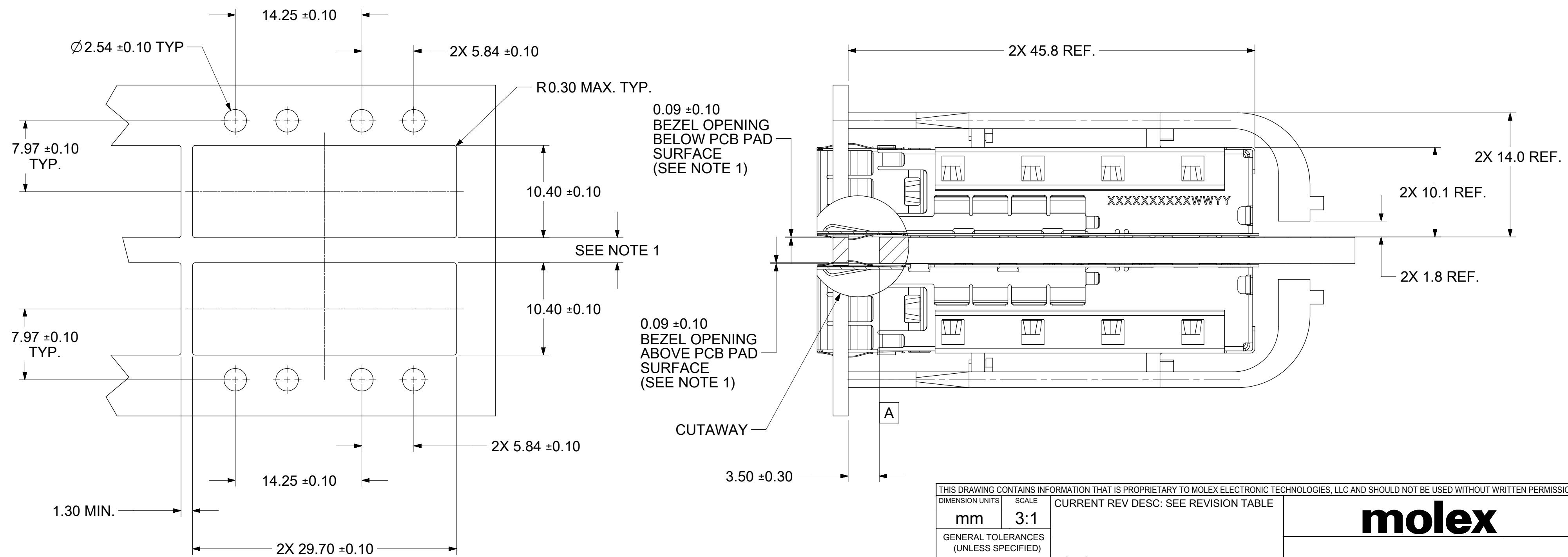
1. PADS AND VIAS CONNECT TO CHASSIS GROUND
RECOMMEND PADS TO BE 2.00mm SQUARE
2. RECOMMENDED THRU HOLE PLATING INCLUDES HASL, OSP, OR IMMERSION (GOLD, SILVER, OR TIN)
3. CONNECTOR PAD LAYOUT PER SFP+ MSA WILL ACCOMODATE MOLEX CONNECTOR SERIES 74441 OR EQUIVALENT.
4. SPACING BETWEEN PORTS IS 14.25mm
5. 3.00mm MINIMUM PCB THICKNESS FOR BELLY TO BELLY USE.

THIS DRAWING CONTAINS INFORMATION THAT IS PROPRIETARY TO MOLEX ELECTRONIC TECHNOLOGIES, LLC AND SHOULD NOT BE USED WITHOUT WRITTEN PERMISSION									
DIMENSION UNITS		SCALE		CURRENT REV DESC: SEE REVISION TABLE				molex	
mm		4:1							
GENERAL TOLERANCES (UNLESS SPECIFIED)				EC NO: 707505				ZSFP+ 1X2 CAGE ASSEMBLY PRESS FIT	
ANGULAR TOL ± 1.0°				DRWN: SKRISHNAMURT 2022/04/07				W/ SUS EMI SPRING FINGERS AND DUAL LIGHT PIPE	
4 PLACES ±				CHK'D: TKUMARKC 2022/05/20					
3 PLACES ±				APPR: SCHIEN 2022/05/20				PRODUCT CUSTOMER DRAWING	
2 PLACES ± 0.13				INITIAL REVISION:				DOCUMENT NUMBER	
1 PLACE ± 0.25				DRWN: SKRISHNAMURT 2022/04/07				1001138702	
0 PLACES ±				APPR: SCHIEN 2022/05/20				PSD ASY A	
DRAFT WHERE APPLICABLE MUST REMAIN WITHIN DIMENSIONS		THIRD ANGLE PROJECTION		DRAWING		SERIES		MATERIAL NUMBER	
				C-SIZE		100113		1001138702	
								CUSTOMER	
								SHEET NUMBER	
								3 OF 5	

BEZEL AND BOARD POSITION DIMENSIONS FOR SINGLE SIDE MOUNTING



BEZEL AND BOARD POSITION DIMENSIONS FOR BELLY TO BELLY MOUNTING



NOTE:
 1. PCB THICKNESS VARIATION MUST BE CONSIDERED WHEN DETERMINING BEZEL OPENING SIZE AND LOCATION.
 2. CAGE LEG STANDOFF WILL PIERCE BELLY GASKET WHEN PROPERLY PRESSED INTO PCB.

THIS DRAWING CONTAINS INFORMATION THAT IS PROPRIETARY TO MOLEX ELECTRONIC TECHNOLOGIES, LLC AND SHOULD NOT BE USED WITHOUT WRITTEN PERMISSION									
DIMENSION UNITS		SCALE		CURRENT REV DESC: SEE REVISION TABLE					
mm		3:1		molex ZSFP+ 1X2 CAGE ASSEMBLY PRESS FIT W/ SUS EMI SPRING FINGERS AND DUAL LIGHT PIPE PRODUCT CUSTOMER DRAWING DOCUMENT NUMBER: 1001138702 DOC TYPE: PSD DOC PART: ASY REVISION: A MATERIAL NUMBER: 1001138702 CUSTOMER: 100113 SHEET NUMBER: 4 OF 5					
GENERAL TOLERANCES (UNLESS SPECIFIED)									
ANGULAR TOL ± 1.0°									
4 PLACES ±									
3 PLACES ±									
2 PLACES ± 0.13				EC NO: 707505		2022/04/07			
1 PLACE ± 0.25				DRWN: SKRISHNAMURT		2022/05/20			
0 PLACES ±				CHK'D: TKUMARKC		2022/05/20			
DRAFT WHERE APPLICABLE MUST REMAIN WITHIN DIMENSIONS				APPR: SCHIEN		2022/05/20			
THIRD ANGLE PROJECTION		DRAWING		SERIES		MATERIAL NUMBER		CUSTOMER	
		C-SIZE		100113		1001138702		100113	

REV	DATE	DESCRIPTION
A	2022/05/20	INITIAL RELEASE

THIS DRAWING CONTAINS INFORMATION THAT IS PROPRIETARY TO MOLEX ELECTRONIC TECHNOLOGIES, LLC AND SHOULD NOT BE USED WITHOUT WRITTEN PERMISSION

DIMENSION UNITS	SCALE	CURRENT REV DESC: SEE REVISION TABLE		molex		
mm	1:1					
GENERAL TOLERANCES (UNLESS SPECIFIED)		EC NO: 707505		ZSFP+ 1X2 CAGE ASSEMBLY PRESS FIT		
ANGULAR TOL	± 1.0°	DRWN: SKRISHNAMURT	2022/04/07	W/ SUS EMI SPRING FINGERS AND DUAL LIGHT PIPE		
4 PLACES	±	CHK'D: TKUMARKC	2022/05/20			
3 PLACES	±	APPR: SCHIEN	2022/05/20	PRODUCT CUSTOMER DRAWING		
2 PLACES	± 0.13	INITIAL REVISION:		DOCUMENT NUMBER		
1 PLACE	± 0.25	DRWN: SKRISHNAMURT	2022/04/07	1001138702		
0 PLACES	±	APPR: SCHIEN	2022/05/20	DOC TYPE	DOC PART	REVISION
DRAFT WHERE APPLICABLE MUST REMAIN WITHIN DIMENSIONS		THIRD ANGLE PROJECTION	DRAWING	SERIES	MATERIAL NUMBER	CUSTOMER
			C-SIZE	100113	1001138702	
						SHEET NUMBER
						5 OF 5