

MATERIALS AND FINISHES:

PART NO. 73415-4680/73415-4681  
73415-4682/73415-4683  
73415-4685

BODY  
BRASS  
PLATED 50u" MIN COPPER UNDERCOAT  
100~200u" NICKEL UNDERCOAT  
2u" MIN GOLD PLATING

CENTER CONTACT  
BRASS  
PLATED 10u" GOLD

OUTER CONTACT  
BERYLLIUM COPPER  
PLATED 50u" MIN COPPER UNDERCOAT  
100~200u" NICKEL UNDERCOAT  
2u" MIN GOLD PLATING

INSULATOR  
TEFLON

WITHSTAND 48HRS SALT SPRAY TEST

NOTE:

1. PART NO.73415-4681 WITHOUT CONTACT PART
2. 73415-4682 WITH CUSTOMER REQUEST PACKAGE
3. PART NO.73415-4683/73415-4684  
PACKAGE 500PCS BY BAG

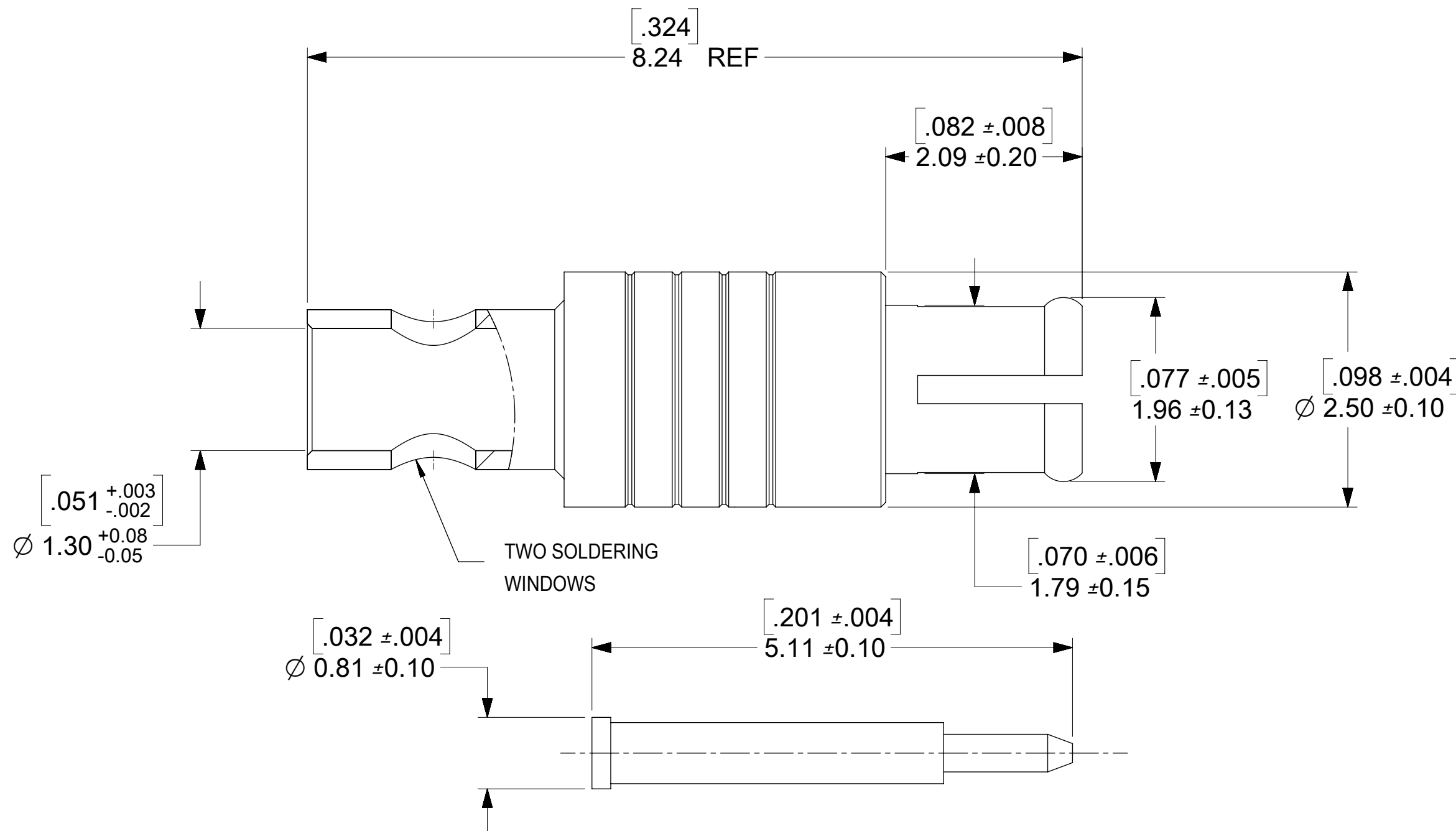
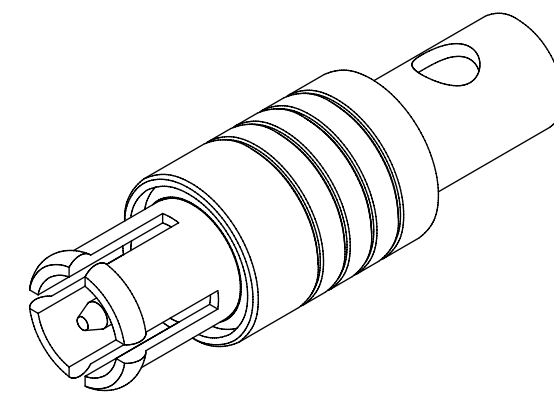
PART NO.73415-4684

BODY  
BERYLLIUM COPPER  
PLATED TRI METAL

CENTER CONTACT  
BERYLLIUM COPPER  
PLATED GOLD

OUTER CONTACT  
BERYLLIUM COPPER  
PLATED GOLD

INSULATOR  
TEFLON



PS-73598-0220	PRODUCT SPECIFICATION
AS-73597-033	ASSEMBLY INSTRUCTION
SPECIFICATION	DESCRIPTION

D3	2017/08/23	1. CHANGE DIMENSION FROM Ø0.76±0.10 TO Ø0.81±0.10 2. ADD 2.09±0.20 DIMENSION 3. ADD 1.79±0.15 DIMENSION 4. ADD 1.96±0.13 DIMENSION 5. ADD PACKAGE SPEC ON DRAWING
REV	DATE	DESCRIPTION

73415-4687	NON-MAGNETIC	1 PIECE 73415-4684 PER BAG	SEE 89542-0080 DRAWING
73415-4686	GENERAL TYPE	1 PIECE 73415-4680 PER BAG	SEE 89542-0080 DRAWING
73415-4685	GENERAL TYPE	SPECIFIC LABEL ON OUTER BOX	-----
73415-4684	NON-MAGNETIC	500pcs BY ONE BAG	SEE 89542-0120 DRAWING
73415-4683	GENERAL TYPE	500pcs BY ONE BAG	SEE 89542-0120 DRAWING
73415-4682	GENERAL TYPE	SEE NOTE 2	-----
73415-4681	GENERAL TYPE	SEE NOTE 1	-----
73415-4680	GENERAL TYPE	1000pcs BY ONE BAG	SEE 89542-0100 DRAWING
PART NO.	DESCRIPTION	PACKAGING	PACKAGING SPEC.

QUALITY SYMBOLS	THIS DRAWING CONTAINS INFORMATION THAT IS PROPRIETARY TO MOLEX ELECTRONIC TECHNOLOGIES, LLC AND SHOULD NOT BE USED WITHOUT WRITTEN PERMISSION		
▽ = 0	PDR: 7082469 EC NO: 121184 DRWN: JSU18 CHKD: YCHENG REV: APPR:	GENERAL TOLERANCES (UNLESS SPECIFIED)	DIMENSION UNITS: HYBRID
▽ = 0		ANGULAR TOL ± 5.0 °	SCALE: 1:1
▽ = 0		4 PLACES ±	DRWN BY: SSHAH
▽ = 0		3 PLACES ±	DATE: 2006/08/31
▽ = 0		2 PLACES ±	CHKD BY: TFLAHERTY
▽ = 0		1 PLACE ±	DATE: 2006/08/31
⊠ = 0		0 PLACES ±	APPR BY: JWIENER
■ = 0		DRAFT WHERE APPLICABLE MUST REMAIN WITHIN DIMENSIONS	DATE: 2006/08/31
▽ = 0			DRAWING SIZE: C
			THIRD ANGLE PROJECTION
		<b>molex</b> SSMCX PLUG, 50 OHM PLUG CABLE TYPE SSMCX-PC	
		PRODUCT CUSTOMER DRAWING	
		SERIES: 73415	CUSTOMER: GENERAL MARKET
		DOCUMENT NUMBER: SD-73415-468	DOC TYPE: PSD
		DOC PART: 001	SHEET NUMBER: 1 OF 1