

# Coaxial Low Pass Filter

## VLFG-630+

50Ω DC to 630 MHz



Generic photo used for illustration purposes only  
CASE STYLE: FF704

### The Big Deal

- Good power handling, 3.5 W
- Temperature stable
- Rugged unibody construction
- Good rejection, 46 dB typical

### Product Overview

VLFG-630+ is a 50Ω low pass filter built in rugged unibody construction. Covering DC-630 MHz bandwidth, these units offer good matching within the passband and good rejection in stopband. VLFG-630+ offer low insertion loss, and good power handling capability. It handles up to 3.5W RF input power and provides a wide operating temperature range from -55°C to 125°C.

### Key Features

Feature	Advantages
Low passband insertion loss	Suitable for high performance application.
3.5 W Power handling	Supports a range of system power requirements.
Connectorized package	The connectorized package is easy to interface with other devices and well suited for test setups.

#### Notes

- A. Performance and quality attributes and conditions not expressly stated in this specification document are intended to be excluded and do not form a part of this specification document.  
B. Electrical specifications and performance data contained in this specification document are based on Mini-Circuit's applicable established test performance criteria and measurement instructions.  
C. The parts covered by this specification document are subject to Mini-Circuits standard limited warranty and terms and conditions (collectively, "Standard Terms"); Purchasers of this part are entitled to the rights and benefits contained therein. For a full statement of the Standard Terms and the exclusive rights and remedies thereunder, please visit Mini-Circuits' website at [www.minicircuits.com/MCLStore/terms.jsp](http://www.minicircuits.com/MCLStore/terms.jsp)



# Low Pass Filter

VLFG-630+

50Ω DC to 630 MHz



Generic photo used for illustration purposes only  
CASE STYLE: FF704

**+RoHS Compliant**

The +Suffix identifies RoHS Compliance. See our web site for RoHS Compliance methodologies and qualifications

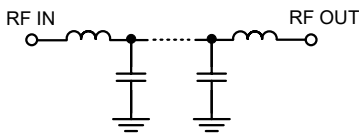
## Features

- Low loss, 1.5 dB typical
- Good rejection 46 dB typical
- Good power handling, 3.5 W
- Temperature stable
- Connectorized package
- Rugged unibody construction

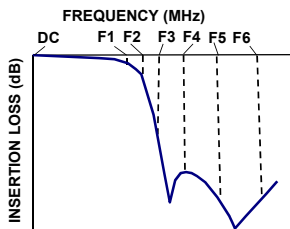
## Applications

- Harmonic Rejection
- VHF/UHF transmitters / receivers
- Military radar applications
- Test and measurement
- Telecommunications & broadband wireless applications
- Satcom modems

## Functional Schematic



## Typical Frequency Response



## Electrical Specifications at 25°C

	Parameter	F#	Frequency (MHz)	Min.	Typ.	Max.	Unit
Pass Band	Insertion Loss	DC-F1	DC - 630	—	1.5	2.1	dB
	Freq. Cut-Off	F2*	780	—	3.0	—	dB
	Return Loss	DC-F1	DC - 630	—	14	—	dB
Stop Band	Rejection Loss	F3-F4	1050 - 1500	20	50	—	dB
		F4-F5	1500 - 3800	35	46	—	dB
		F5-F6	3800 - 8500	—	21	—	dB

In Application where DC voltage is present at either input or output port, DC blocks are required.

\* Typically, a ±5% frequency deviation from the stated value may occur on a unit-to-unit basis.

## Maximum Ratings

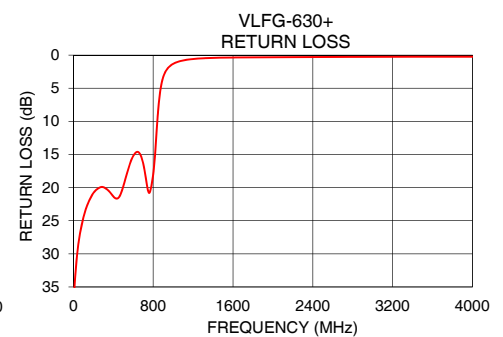
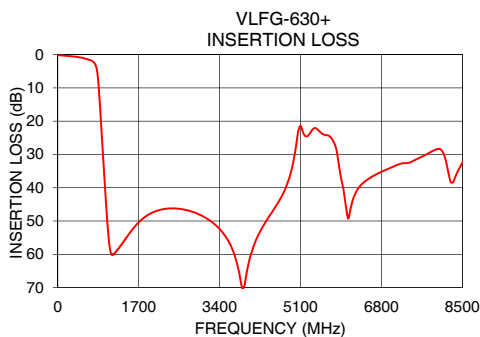
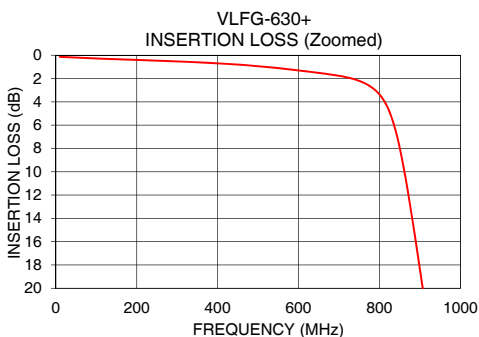
Operating Temperature	-55°C to 125°C
Storage Temperature	-55°C to 125°C
RF Power Input*	3.5 W max. @25°C

\*Passband rating, derate linearly to 0.8 W at 125°C ambient

Permanent damage may occur if any of these limits are exceeded.

## Typical Performance Data at 25°C

Frequency (MHz)	Insertion Loss (dB)	Return Loss (dB)
10	0.13	35.14
100	0.27	24.57
500	0.94	19.82
600	1.30	15.22
630	1.43	14.66
780	2.74	19.89
800	3.37	18.02
910	20.78	2.91
950	30.19	1.91
1000	41.66	1.32
1050	52.12	1.00
1500	53.83	0.38
2000	47.40	0.32
2400	46.22	0.30
3000	48.23	0.26
3800	64.87	0.24
4000	63.26	0.25
5000	27.91	0.75
7000	33.95	0.43
8500	32.39	2.06



## Notes

- Performance and quality attributes and conditions not expressly stated in this specification document are intended to be excluded and do not form a part of this specification document.
- Electrical specifications and performance data contained in this specification document are based on Mini-Circuits' applicable established test performance criteria and measurement instructions.
- The parts covered by this specification document are subject to Mini-Circuits standard limited warranty and terms and conditions (collectively, "Standard Terms"); Purchasers of this part are entitled to the rights and benefits contained therein. For a full statement of the Standard Terms and the exclusive rights and remedies thereunder, please visit Mini-Circuits' website at [www.minicircuits.com/MCLStore/terms.jsp](http://www.minicircuits.com/MCLStore/terms.jsp)

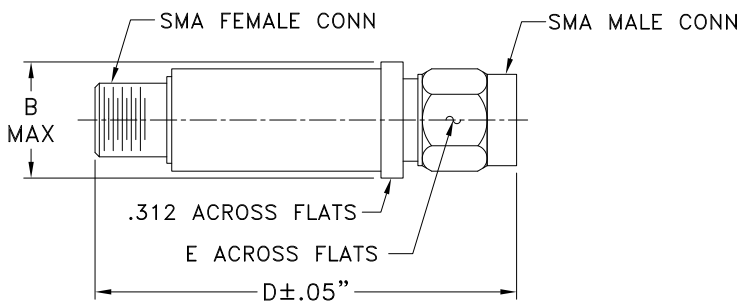


[www.minicircuits.com](http://www.minicircuits.com) P.O. Box 350166, Brooklyn, NY 11235-0003 (718) 934-4500 sales@minicircuits.com

**Coaxial Connections**

PORT - 1	SMA-Male
PORT - 2	SMA-Female

**Outline Drawing**



**Outline Dimensions ( inch )**

B	D	E	wt.
.410	1.43	.312	grams
10.41	36.32	7.92	10

Note: Please refer to case style drawing for details

**Notes**

- A. Performance and quality attributes and conditions not expressly stated in this specification document are intended to be excluded and do not form a part of this specification document.
- B. Electrical specifications and performance data contained in this specification document are based on Mini-Circuit's applicable established test performance criteria and measurement instructions.
- C. The parts covered by this specification document are subject to Mini-Circuits standard limited warranty and terms and conditions (collectively, "Standard Terms"); Purchasers of this part are entitled to the rights and benefits contained therein. For a full statement of the Standard Terms and the exclusive rights and remedies thereunder, please visit Mini-Circuits' website at [www.minicircuits.com/MCLStore/terms.jsp](http://www.minicircuits.com/MCLStore/terms.jsp)

