

SACC-BP-M-M12/M15-7-THR SCO - Housing screw connection



1413998

<https://www.phoenixcontact.com/us/products/1413998>

Please be informed that the data shown in this PDF document is generated from our online catalog. Please find the complete data in the user documentation. Our general terms of use for downloads are valid.



Housing screw connection, Plug, M12-SPEEDCON, Rear mounting, M15 x 1, Alternative product in accordance with RoHS II without Exemption 6c (Pb <0.1%) item no.: 1239051

Your advantages

- Easy device integration, thanks to mechanical port screw connections with threaded fastening
- Flexible PCB assembly: two-piece connectors for wave and THR soldering
- SPEEDCON fast locking system reduces cabling times

Commercial data

Item number	1413998
Packing unit	1 pc
Minimum order quantity	20 pc
Sales key	AB23
Product key	ABQAFA
GTIN	4055626022680
Weight per piece (including packing)	10.803 g
Weight per piece (excluding packing)	10.645 g
Customs tariff number	79070000
Country of origin	DE

SACC-BP-M-M12/M15-7-THR SCO - Housing screw connection



1413998

<https://www.phoenixcontact.com/us/products/1413998>

Technical data

Notes

General	The electrical and mechanical data specified assume that the connector pair is correctly locked and mounted. If the connector is unlocked and if there is a danger of contamination, the connector must be sealed using a protective cap > IP54. Influences arising from litz wires, cables or PCB assembly must also be taken into consideration.
General	Lock nut is included in the scope of delivery

Product properties

Product type	Panel mounting base
Thread type	M12

Material specifications

Material	Brass, nickel-plated
Material	Zinc die-cast (nickel-plated)
Seal material	FKM
Material for screw connection	Zinc die-cast, nickel-plated

Connector

Connection 1

Head design	Plug
Head thread type	M12
Head locking type	SPEEDCON

Mechanical properties

Mechanical data

Insertion/withdrawal cycles	> 100
-----------------------------	-------

Environmental and real-life conditions

Ambient conditions

Degree of protection (when plugged in)	IP67 (correctly plugged in and locked)
Degree of protection	IP67 (correctly plugged in and locked) IP67, when in locked state
Ambient temperature (operation)	-25 °C ... 85 °C (Plug / socket) -40 °C ... 85 °C (without mechanical actuation)

Standards and regulations

M12

Standard designation	M12 connector
----------------------	---------------

SACC-BP-M-M12/M15-7-THR SCO - Housing screw connection



1413998

<https://www.phoenixcontact.com/us/products/1413998>

Standards/specifications	IEC 61076-2-101
Note	In line with

Mounting

Mounting type	Rear mounting M15 x 1 Spacing between the top edge of the PCB and the back of the front plate: 7 mm
Assembly instructions	Spacing between the top edge of the PCB and the back of the front plate: 7 mm

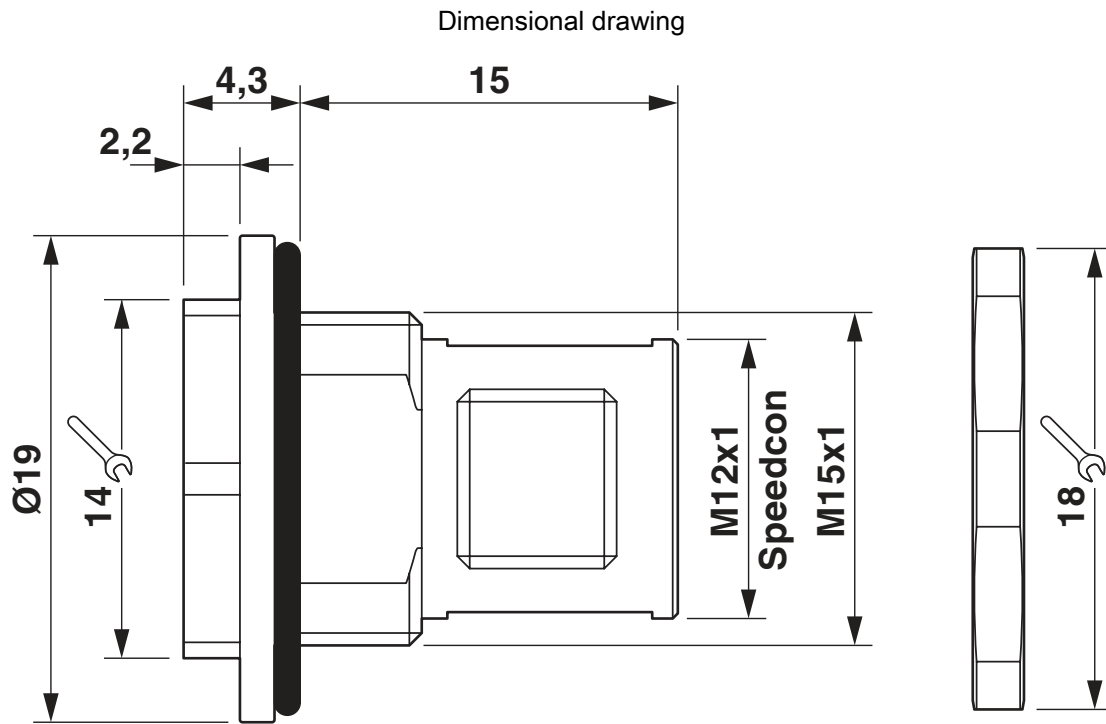
SACC-BP-M-M12/M15-7-THR SCO - Housing screw connection



1413998

<https://www.phoenixcontact.com/us/products/1413998>

Drawings



Dimensional drawing

SACC-BP-M-M12/M15-7-THR SCO - Housing screw connection



1413998

<https://www.phoenixcontact.com/us/products/1413998>

Approvals

To download certificates, visit the product detail page: <https://www.phoenixcontact.com/us/products/1413998>



EAC

Approval ID: B.01687

SACC-BP-M-M12/M15-7-THR SCO - Housing screw connection



1413998

<https://www.phoenixcontact.com/us/products/1413998>

Classifications

ECLASS

ECLASS-11.0	27440224
ECLASS-13.0	27440224
ECLASS-12.0	27440224

UNSPSC

UNSPSC 21.0	31171600
-------------	----------

SACC-BP-M-M12/M15-7-THR SCO - Housing screw connection



1413998

<https://www.phoenixcontact.com/us/products/1413998>

Environmental product compliance

REACH SVHC	Lead 7439-92-1
China RoHS	Environmentally Friendly Use Period = 50 years
	For information on hazardous substances, refer to the manufacturer's declaration available under "Downloads"

Phoenix Contact 2023 © - all rights reserved
<https://www.phoenixcontact.com>

Phoenix Contact USA
586 Fulling Mill Road
Middletown, PA 17057, United States
(+717) 944-1300
info@phoenixcon.com