

# HC-B-TA-NPT-3/4-ER-AL - Adapter

1414265

<https://www.phoenixcontact.com/us/products/1414265>

Please be informed that the data shown in this PDF document is generated from our online catalog. Please find the complete data in the user documentation. Our general terms of use for downloads are valid.

Adapter, aluminum, for EVO housing, NPT-3/4" thread



## Commercial data

Item number	1414265
Packing unit	1 pc
Minimum order quantity	1 pc
Sales key	BF57
Product key	BF7APM
Catalog page	Page 661 (C-2-2019)
GTIN	4055626022277
Weight per piece (including packing)	119.3 g
Weight per piece (excluding packing)	119 g
Customs tariff number	85389099
Country of origin	DE

# HC-B-TA-NPT-3/4-ER-AL - Adapter



1414265

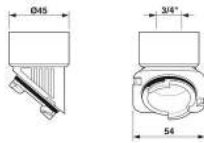
<https://www.phoenixcontact.com/us/products/1414265>

## Technical data

### Product properties

Product type	Thread adapter
Application	Bayonet B - NPT

### Dimensions

Dimensional drawing	
Thread type on seal side	3/4 inch NPT

### Internal dimensions

Length of internal thread	18 mm
---------------------------	-------

### Material specifications

Color	Aluminum
Material	Die-cast aluminum, corrosion-resistant
Seal material	NBR
Housing material	Die-cast aluminum, corrosion resistant

### Environmental and real-life conditions

#### Ambient conditions

Degree of protection	IP66
	IP67
Degree of protection (NEMA)	4 (UL 50e)
	4X (UL 50e)
	12 (UL 50e)
Ambient temperature (operation)	-40 °C ... 125 °C

# HC-B-TA-NPT-3/4-ER-AL - Adapter

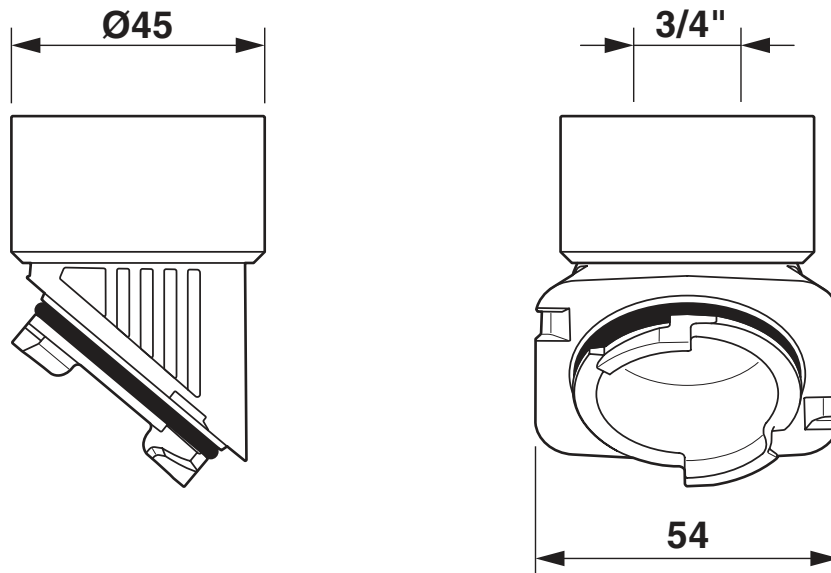


1414265

<https://www.phoenixcontact.com/us/products/1414265>

## Drawings

Dimensional drawing



Dimensional drawing

# HC-B-TA-NPT-3/4-ER-AL - Adapter



1414265

<https://www.phoenixcontact.com/us/products/1414265>

## Approvals

To download certificates, visit the product detail page: <https://www.phoenixcontact.com/us/products/1414265>

**DNV**

Approval ID: TAE000037S



**cUL Recognized**

Approval ID: E255026



**UL Recognized**

Approval ID: E255026



**EAC**

Approval ID: RU C-DE.AI30.B.01102

**cULus Recognized**

# HC-B-TA-NPT-3/4-ER-AL - Adapter



1414265

<https://www.phoenixcontact.com/us/products/1414265>

## Classifications

### ECLASS

ECLASS-11.0	27144432
ECLASS-12.0	27140801
ECLASS-13.0	27140801

### ETIM

ETIM 8.0	EC000441
----------	----------

### UNSPSC

UNSPSC 21.0	39121400
-------------	----------

# HC-B-TA-NPT-3/4-ER-AL - Adapter



1414265

<https://www.phoenixcontact.com/us/products/1414265>

## Environmental product compliance

China RoHS	Environmentally friendly use period: unlimited = EFUP-e
	No hazardous substances above threshold values

# HC-B-TA-NPT-3/4-ER-AL - Adapter

1414265

<https://www.phoenixcontact.com/us/products/1414265>



## Accessories

### G-INS-NPT3/4-M68L-NNES-S - Cable gland

1411184

<https://www.phoenixcontact.com/us/products/1411184>



Cable gland, material for screw connection: Brass, nickel-plated, external cable diameter 13 mm ... 18 mm, shielding: no, connecting thread: 3/4 inch NPT, color: silver, with O-ring

---

Phoenix Contact 2023 © - all rights reserved  
<https://www.phoenixcontact.com>

Phoenix Contact USA  
586 Fulling Mill Road  
Middletown, PA 17057, United States  
(+717) 944-1300  
[info@phoenixcon.com](mailto:info@phoenixcon.com)