



Photocouplers

LTV-0501

Data Sheet

Created Date : 01/ 02/ 2012

Revision : 1.0, 01/ 02/ 2012



Lite-on Technology Corp.

Optoelectronics SBG

<http://www.liteon.com/opto>



Photocouplers LTV-0501

1. DESCRIPTION

The LTV-0501 consists of a high efficient AlGaAs Light Emitting Diode and a high speed optical detector. This design provides excellent AC and DC isolation between the input and output sides of the Optocoupler. Connection for the bias of the photodiode improves the speed that of a conventional phototransistor coupler by reducing the base-collector capacitances. A guaranteed common mode transient immunity is up to 1KV/ μ sec.

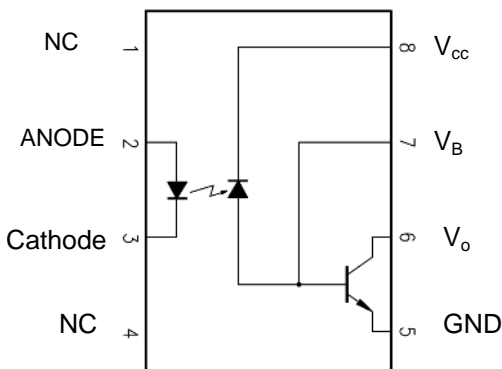
1.1 Features

- SO8 package
- High speed – 1MBd typical
- Available in Dual-in-line, Wide lead spacing, Surface mounting package.
- Storable output.

1.2 Applications

- High Voltage Isolation
- Isolation in line receivers
- Feedback element in switching mode power supplier
- Power transistor isolation in motor drives
- Interface between Microprocessor system, computer and their periphe
- Replace pulse transformers.
- Replace slower optocoupler isolators.

1.3 Functional Diagram



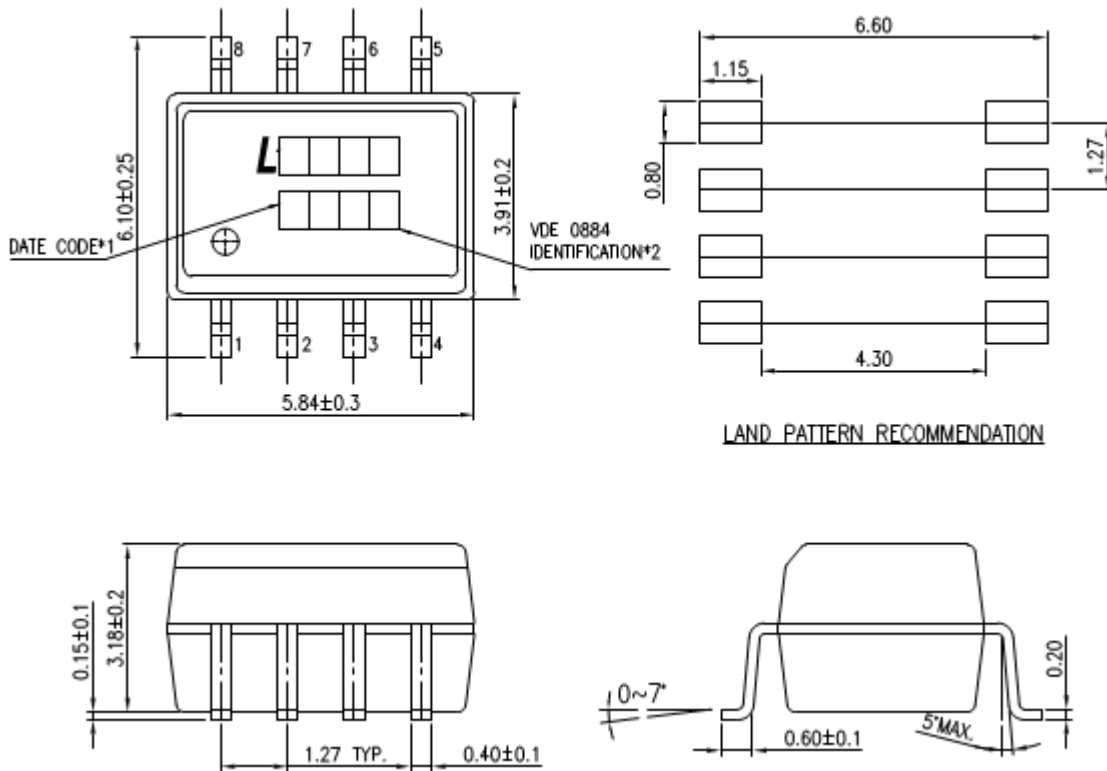
Truth Table (Positive Logic)

LED	OUT
ON	L
OFF	H

A 0.1 μ F bypass Capacitor must be connected between Pin8 and Pin5

**Photocouplers
LTV-0501**

2. PACKAGE DIMENSIONS



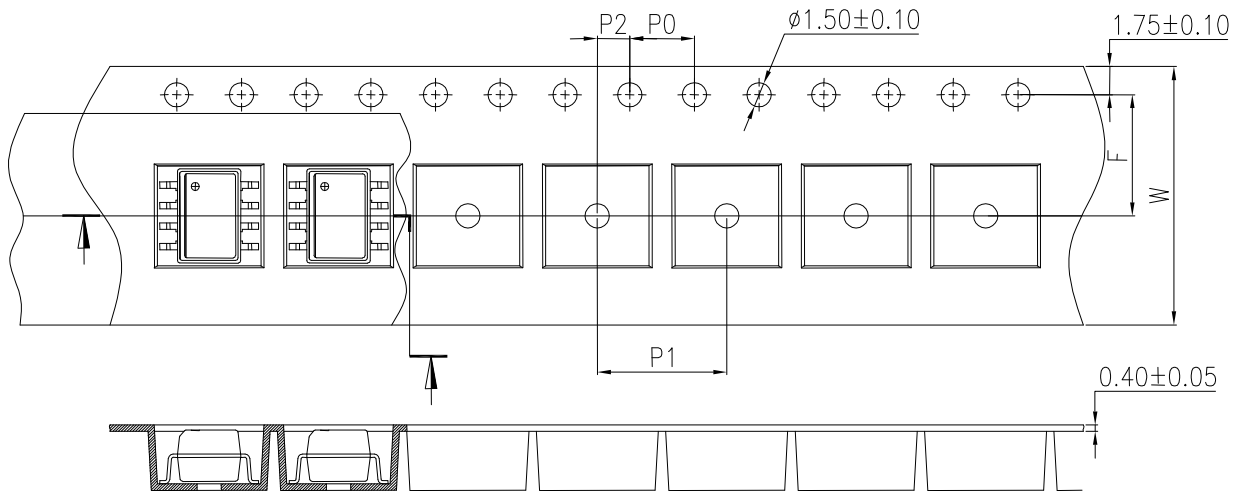
Part No : LTV-0501

Notes :

1. Date code
2. "V" to represent VDE0884
3. Date code
4. Dimensions are all in Millimeters.

Photocouplers
LTV-0501

3. TAPING DIMENSIONS



Description	Symbol	Dimension in mm (inch)
Tape wide	W	16±0.3 (0.63)
Pitch of sprocket holes	P_0	4±0.1 (0.15)
Distance of compartment	F	7.5±0.1 (0.295)
	P_2	2±0.1 (0.079)
Distance of compartment to compartment	P_1	8±0.1 (0.47)

Quantities Per Reel

Package Type	LTV-0501
Quantities (pcs)	2000

**Photocouplers
LTV-0501**

4. RATING AND CHARACTERISTICS

4.1 Absolute Maximum Ratings at Ta=25°C *1

	Parameter	Symbol	Rating	Unit
Input	Average Forward Input Current	I_F	25	mA
	Reverse Input Voltage	V_R	5	V
	Power Dissipation	P_I	45	mW
Output	Output Collector Current	I_O	8	mA
	Output Collector Voltage	V_O	-0.5~15	V
	Output Collector Power Dissipation	P_O	100	mW
	Isolation Voltage	V_{iso}	3750	V_{rms}
	Supply Voltage	V_{CC}	-0.5~15	V
	Operating Temperature	T_{opr}	-55 ~ +100	°C
	Storage Temperature	T_{stg}	-55 ~ +125	°C
	Lead Solder Temperature *2	T_{sol}	260	°C

1. Ambient temperature = 25°C, unless otherwise specified. Stresses exceeding the absolute maximum ratings can cause permanent damage to the device. Exposure to absolute maximum ratings for long periods of time can adversely affect reliability.
2. 260°C for 10 seconds. Refer to Lead Free Reflow Profile.

Photocouplers LTV-0501

4.2 ELECTRICAL OPTICAL CHARACTERISTICS at Ta=25°C

Parameter	Symbol	Min.	Typ.	Max.	Unit	Test Conition
Input						
Input Forward Voltage	V_F	—	—	1.8	V	$I_F=16\text{mA}$, $T_A=25^\circ\text{C}$
Input Reverse Voltage	BV_R	5.0	—	—	V	$I_R = 10\mu\text{A}$
Detector						
Current transfer ratio	CTR	19	24	50	%	$I_F=16\text{mA}$; $V_{CC}=4.5\text{V}$; $T_A=25^\circ\text{C}$; $V_o=0.4\text{V}$
		15	25	—		$I_F=16\text{mA}$; $V_{CC}=4.5\text{V}$; $T_A=25^\circ\text{C}$; $V_o=0.5\text{V}$
Logic low output voltage output voltage	V_{OL}	—	0.1	0.4	V	$I_F=16\text{mA}$; $V_{CC}=4.5\text{V}$; $I_o=3.0\text{mA}$; $T_A=25^\circ\text{C}$
		—	0.1	0.5		$I_F=16\text{mA}$; $V_{CC}=4.5\text{V}$; $I_o=2.4\text{mA}$; $T_A=25^\circ\text{C}$
Logic high output current	I_{OH}	—	0.003	0.5	μA	$I_F=0\text{mA}$, $V_o=V_{CC}=5.5\text{V}$ $T_A=25^\circ\text{C}$
		—	0.01	1		$I_F=0\text{mA}$, $V_o=V_{CC}=15\text{V}$ $T_A=25^\circ\text{C}$
		—	—	50		$V_o = V_{CC} = 15\text{V}$
Logic low supply current	I_{cCL}	—	50	200	μA	$I_F=16\text{mA}$, $V_o=\text{open}$ ($V_{CC}=15\text{V}$)
Logic high supply current	I_{cCH}	—	0.02	1	μA	$I_F=0\text{mA}$, $V_o=\text{open}$; $T_A=25^\circ\text{C}$ ($V_{CC}=15\text{V}$)

*All Typical at $T_A=25^\circ\text{C}$

**Photocouplers
LTV-0501**

5. SWITCHING SPECIFICATION

$T_A=0\sim 70^{\circ}\text{C}$, $V_{CC}=5\text{V}$, unless otherwise specified.

Parameter	Symbol	Min.	Typ.	Max.	Unit	Test Conition
Propagation Delay Time to Low Output Level	t_{PHL}	—	0.2	0.8	μs	$T_A=25^{\circ}\text{C}$ ($R_L=1.9\text{K}\Omega$, $I_F=16\text{mA}$)
Propagation Delay Time to High Output Level	t_{PLH}	—	0.6	0.8	μs	$T_A=25^{\circ}\text{C}$ ($R_L=1.9\text{K}\Omega$, $I_F=16\text{mA}$)
Logic High Common Mode Transient Immunity	$ CM_H $	—	1	—	$\text{KV}/\mu\text{s}$	$I_F=0\text{mA}$; $V_{CM}=10\text{Vp-p}$; $C_L = 15\text{ pF}$; $T_A=25\text{C}$
Logic Low Common Mode Transient Immunity	$ CM_L $	—	1	—	$\text{KV}/\mu\text{s}$	$I_F=0\text{mA}$; $V_{CM}=10\text{Vp-p}$; $C_L = 15\text{ pF}$; $T_A=25\text{C}$

*All Typical at $T_A=25^{\circ}\text{C}$

**Photocouplers
LTV-0501**

6. ISOLATION CHARACTERISTIC

Parameter	Symbol	Min.	Typ.	Max.	Unit	Test Conition
Input-Output Insulation Leakage Current	I_{I-O}	—	—	1.0	μA	45% RH, t = 5s, $V_{I-O} = 3kV DC, T_A = 25^{\circ}C$
Withstand Insulation Test Voltage	V_{ISO}	3750	—	—	V_{RMS}	$RH \leq 50\%, t = 1min,$ $T_A = 25^{\circ}C$
Input-Output Resistance	R_{I-O}	—	10^{12}	—	Ω	$V_{I-O} = 500V DC$

*All Typical at $T_A=25^{\circ}C$

Notes

1. A 0.1 μF or bigger bypass capacitor for V_{CC} is needed as shown in Fig.1
2. Current Transfer Ratio is defined as the ratio of output collector current I_o , to the forward LED input current I_F , times 100.
3. The 1.9K Ω load represents 1TTL unit load of 1.6mA and the 5.6K Ω pull-up resistor.
4. The 4.1K Ω load represents 1LSTTL unit load of 0.36mA and the 6.1K Ω pull-up resistor.

Photocouplers LTV-0501

7. CHARACTERISTICS CURVES

Figure 1: DC and pulsed transfer characteristics

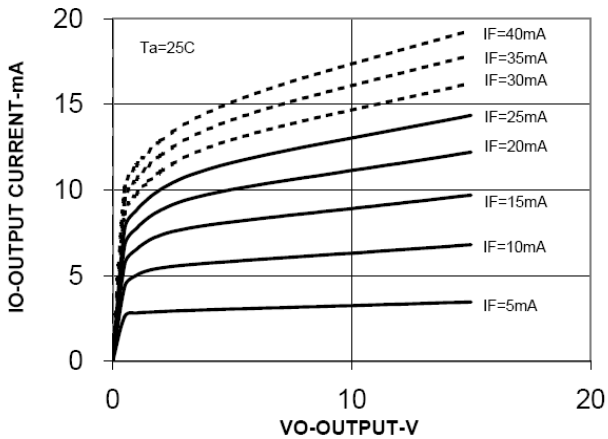


Figure 2: Input current vs. forward voltage

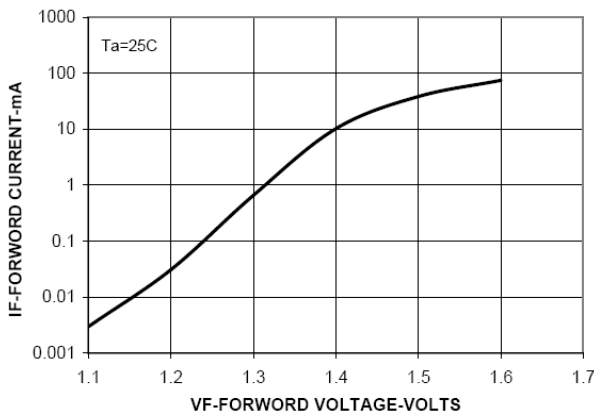


Figure 3: Logic high output current vs. temperature

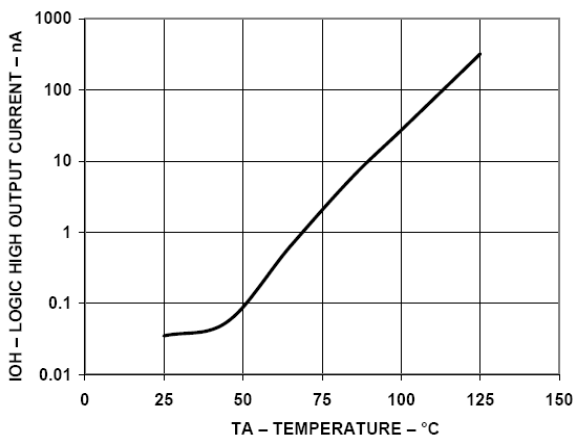


Figure 4: Current transfer ratio vs. input current

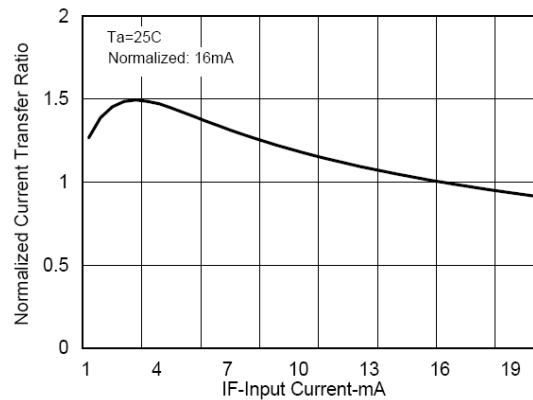


Figure 5: Current transfer ratio vs. temperature

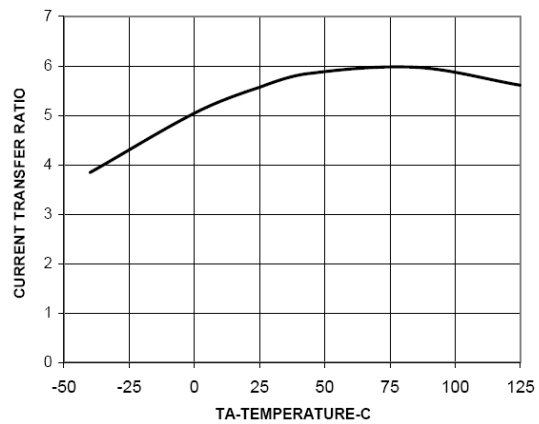
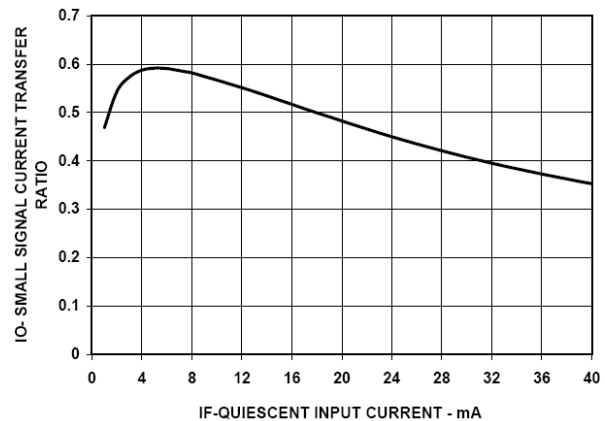


Figure 6: Small-signal current transfer ratio vs. quiescent current



Photocouplers
LTV-0501

Figure 7: Propagation delay time vs. temperature

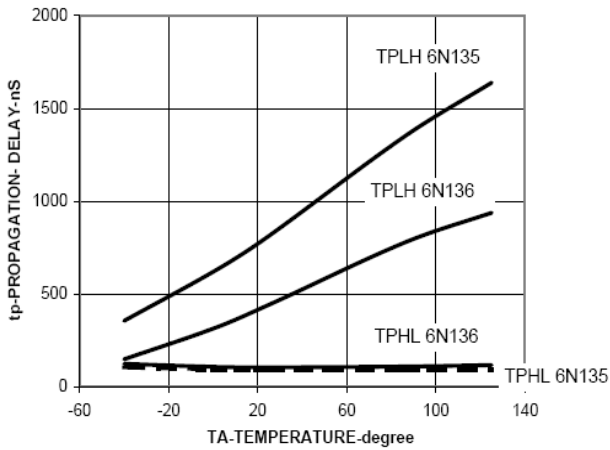
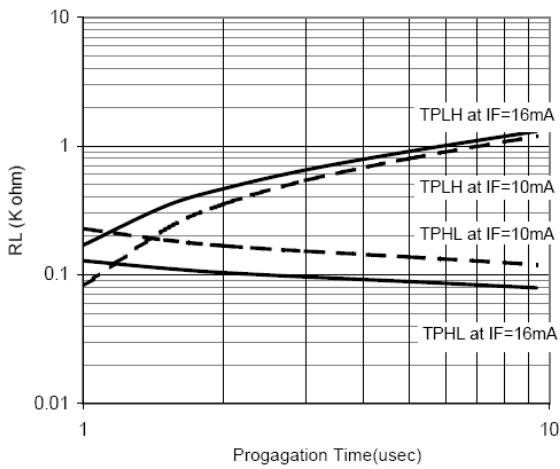


Figure 8: Propagation delay time vs. load resistance



Photocouplers
LTV-0501

8. Switching Time Test Circuit

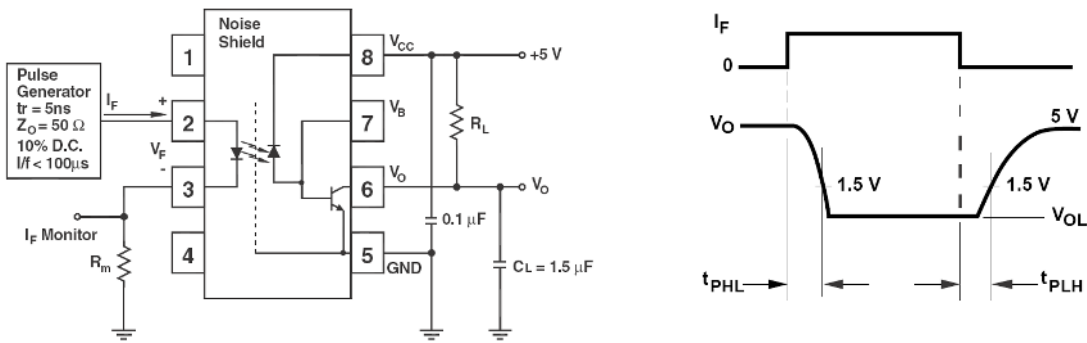


Figure 1: Single Channel Test Circuit for t_{PHL} and t_{PLH}

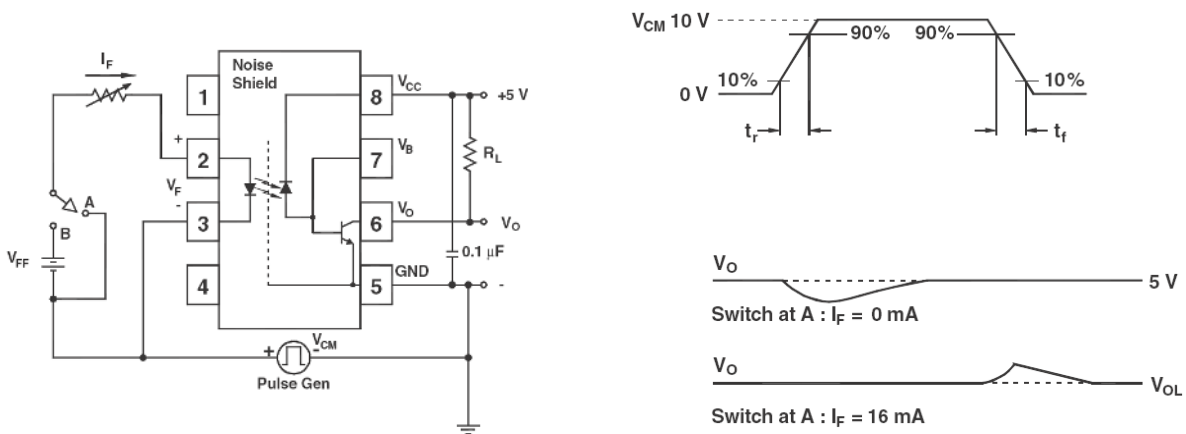


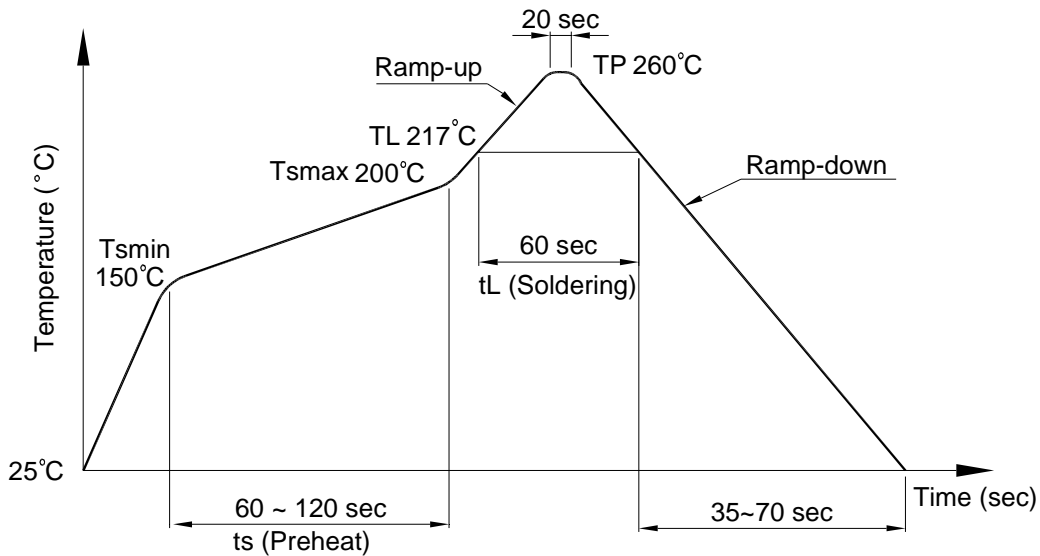
Figure 2: Single Channel Test Circuit for Common Mode Transient Immunity

9. TEMPERATURE PROFILE OF SOLDERING

9.1 IR Reflow soldering (JEDEC-STD-020C compliant)

One time soldering reflow is recommended within the condition of temperature and time profile shown below. Do not solder more than three times.

Profile item	Conditions
Preheat	
- Temperature Min (T_{Smin})	150°C
- Temperature Max (T_{Smax})	200°C
- Time (min to max) (ts)	90±30 sec
Soldering zone	
- Temperature (T_L)	217°C
- Time (t_L)	60 sec
Peak Temperature (T_P)	260°C
Ramp-up rate	3°C / sec max.
Ramp-down rate	3~6°C / sec



Photocouplers LTV-0501

9.2 Wave soldering (JEDEC22A111 compliant)

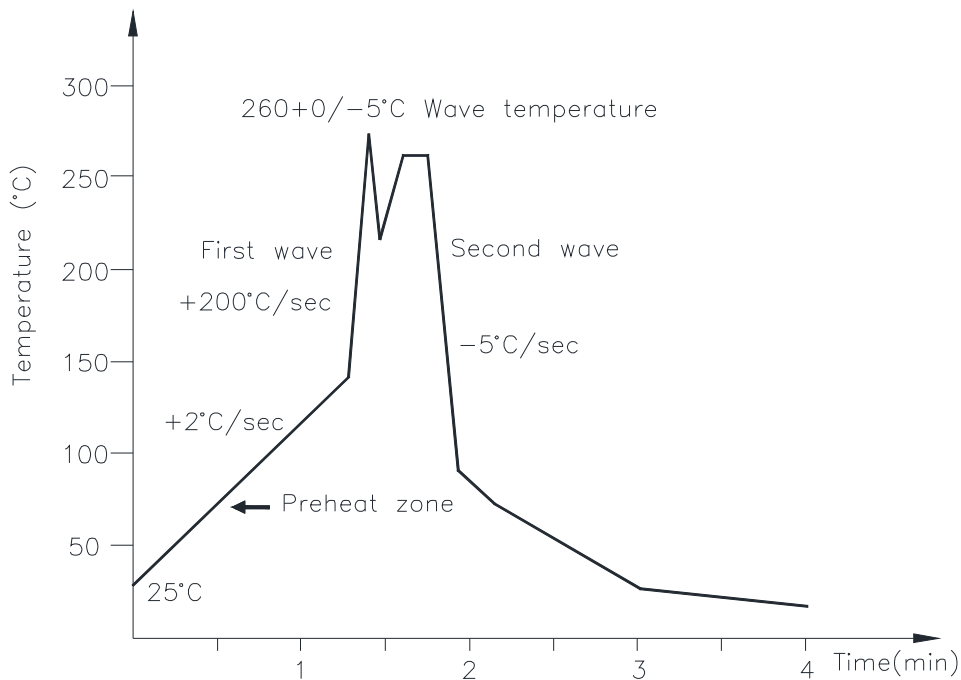
One time soldering is recommended within the condition of temperature.

Temperature: $260 \pm 0 / -5^{\circ}\text{C}$

Time: 10 sec.

Preheat temperature: 25 to 140°C

Preheat time: 30 to 80 sec.



9.3 Hand soldering by soldering iron

Allow single lead soldering in every single process. One time soldering is recommended.

Temperature: $380 \pm 0 / -5^{\circ}\text{C}$

Time: 3 sec max.

10. Notes:

Specifications of the products displayed herein are subject to change without notice.

The products shown in this publication are designed for the general use in electronic applications such as office automation equipment, communications devices, audio/visual equipment, electrical instrumentation and application. For equipment/devices where high reliability or safety is required, such as space applications, nuclear power control equipment, medical equipment, etc, please contact our sales representatives.