

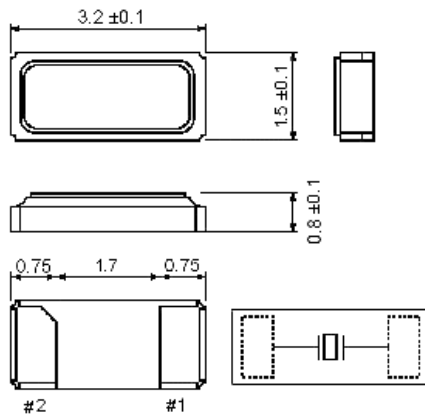


Tuning Fork Crystal

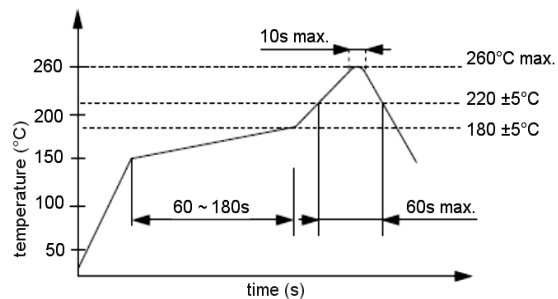
SMD-version

part no.	12.87151
model	KX-327NHT
frequency	32.768 kHz
operating temperature	-40° ~ +85°C
frequency tolerance at +25°C	±30 ppm
temperature tolerance (parabolic coefficient)	-0.035 ppm/°C ² typ.
turnover temperature	+25°C ±5°C
storage temperature range	-55°C ~ +125°C
load capacitance C _L	9 pF
motional capacitance (C1)	0.0036 pF, typ.
series resistance R1 max.	70k Ohm
aging at +25°C (first year) max.	±3 ppm
shunt capacitance C ₀	1.3 pF (1.0 pF typ.)
drive level	1.0 μW max., 0.1 μW typ.
quality factor (Q) min.	20000
reflow soldering condition max.	10 seconds at +260°C (2 times)
contents of reel	3000 pcs.

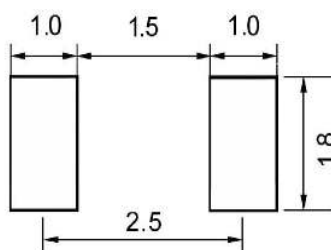
Dimensions (mm):



Reflow soldering condition:



Suggested soldering pad:



Tape specification:

