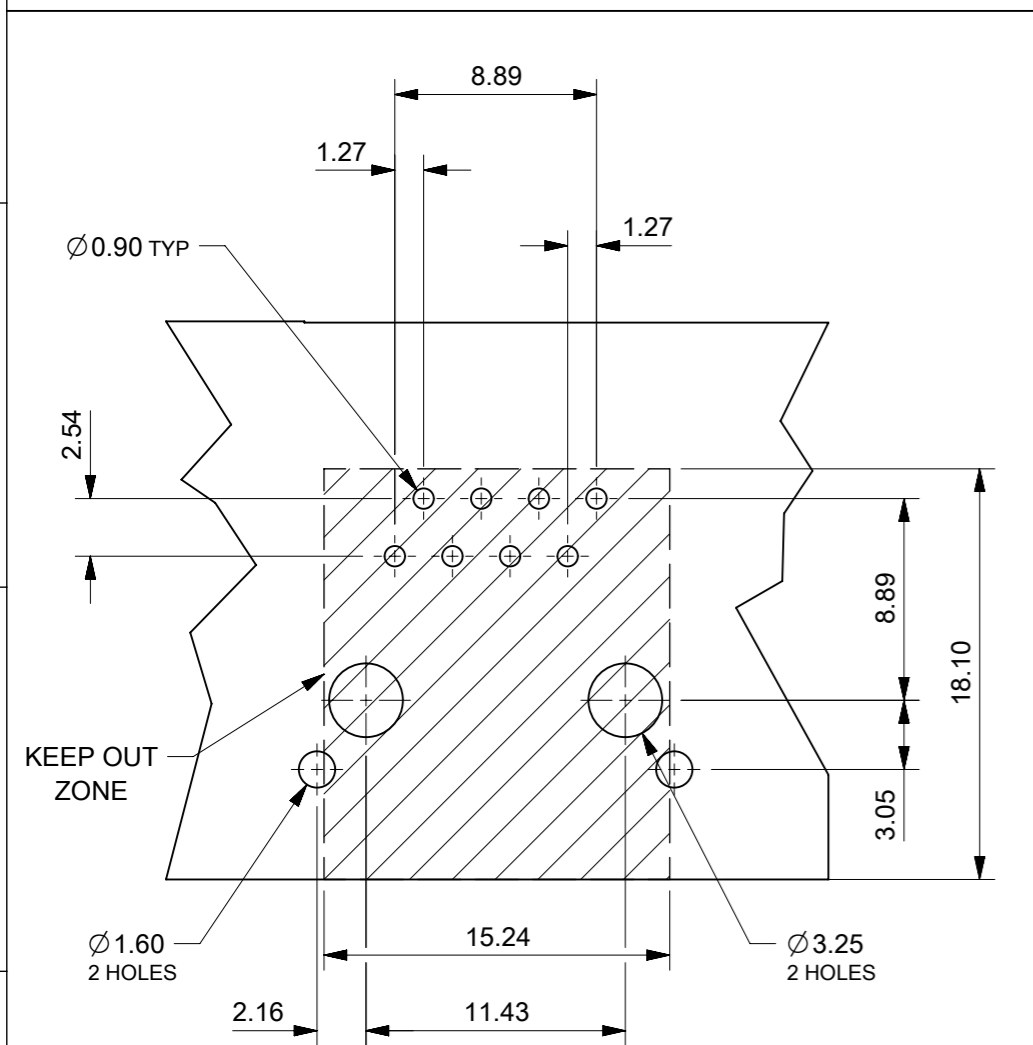
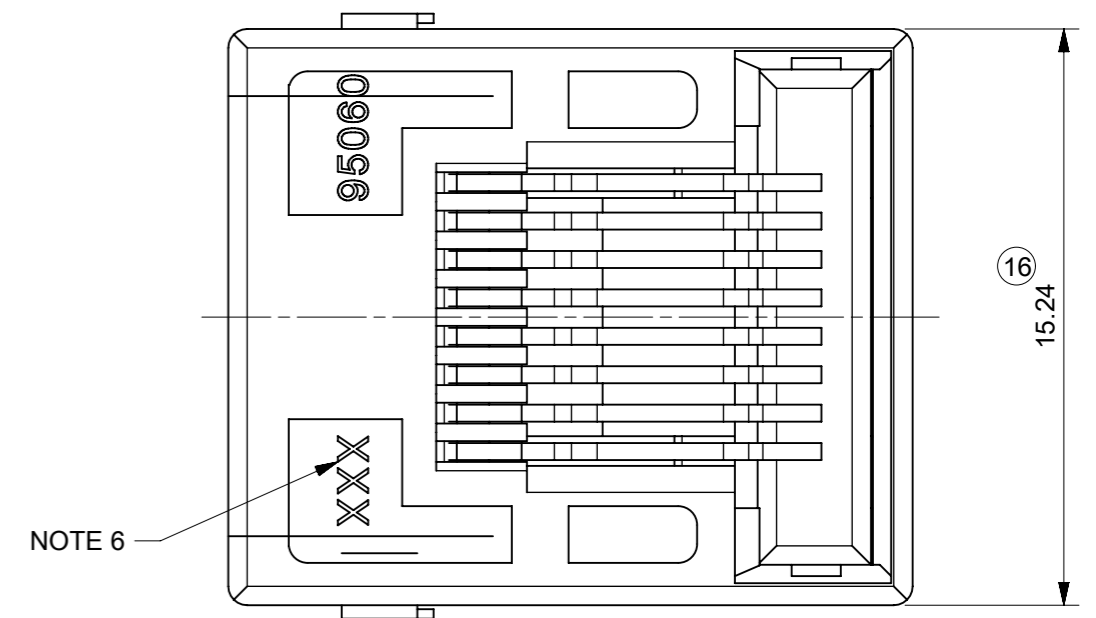


NOTES:

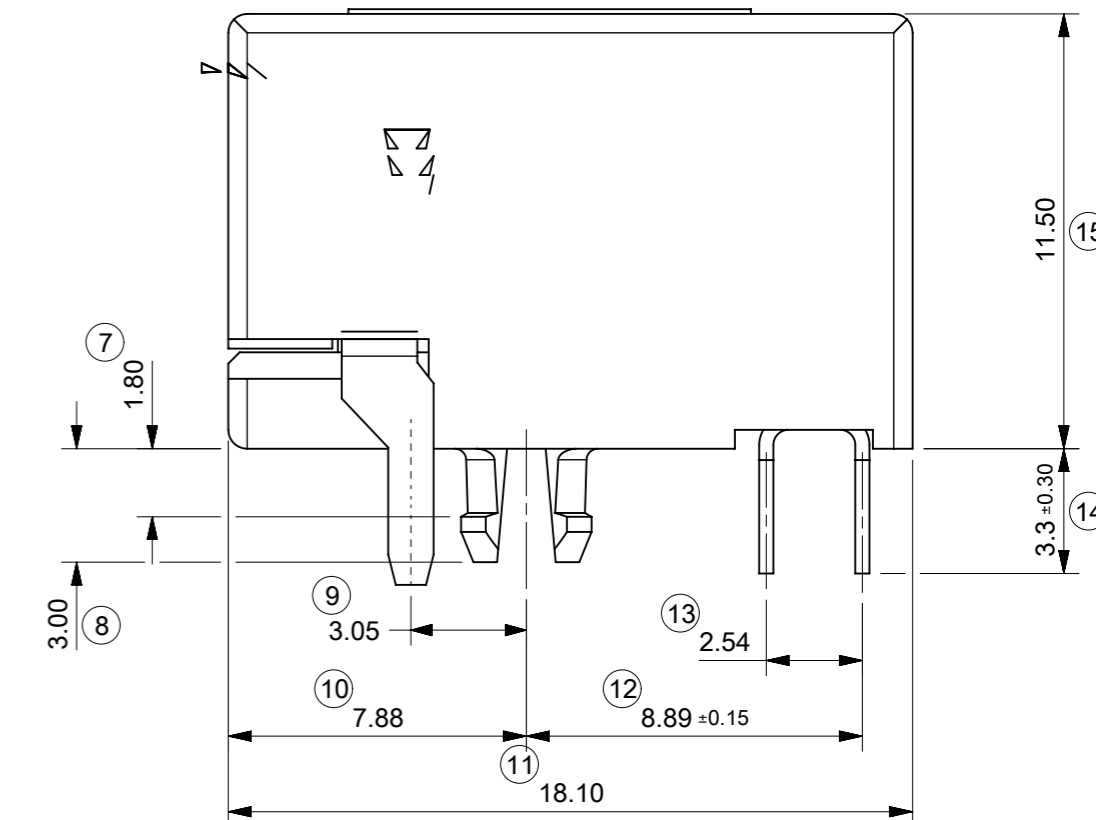
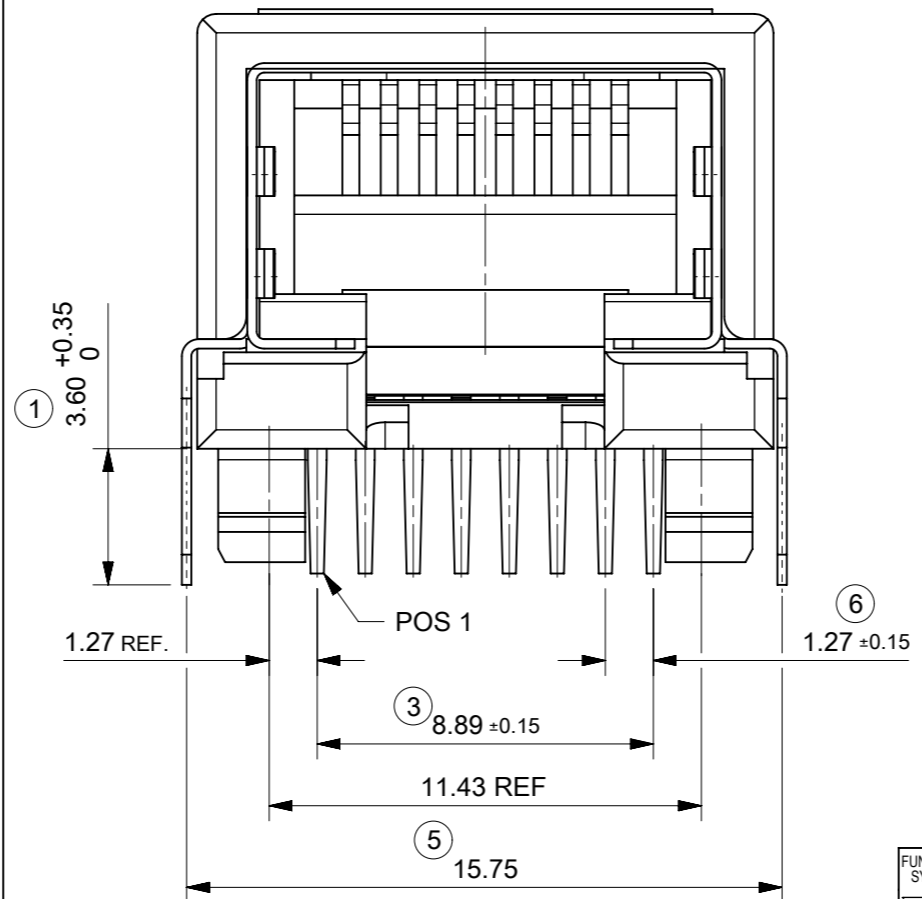
- MATERIAL:
HOUSING: LCP GLASS FILLED UL 94-V0. COLOR: BLACK
TERMINAL: COPPER ALLOY PLATED WITH:
BASE FINISH: NICKEL
CONTACT SURFACE FINISH: GOLD
OR
GOLD FLASH OVER PALLADIUM NICKEL
EXCEEDS PRODUCT REQUIREMENTS BASED ON PS-95540-002
SHIELD: COPPER ALLOY PLATED WITH TIN
- P.C. BOARD THICKNESS 1.57 ± 0.15
- JACK FOR MATING WITH IEC 60603-7 AND TIA-1096-A PLUGS
95043 MOLEX SERIES
- PRODUCT SPECIFICATION: PS-95540-002
- PACKAGING SPECIFICATION: MOLEX PK-95040
- MANUFACTURING I.D. CAN BE EITHER MXF, MG, MXI OR MXCH.

LAST INSPECTION NO.: 16
REMOVED INSPECTION NO.: 2, 4

PART NUMBER
95540-2881



RECOMMENDED
P.C.B. MOUNTING PATTERNS
VIEW FROM COMPONENT SIDE
ALL DIMENSIONS REF DIMENSIONS



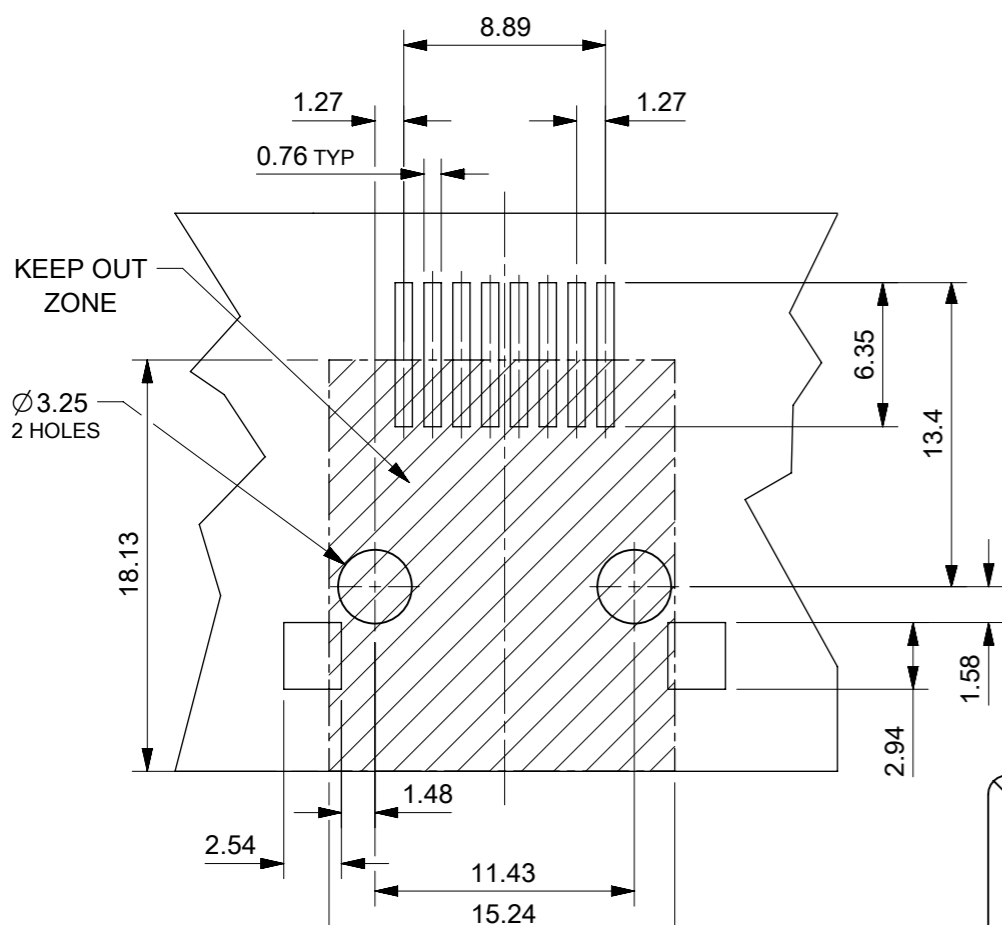
FUNCTIONAL SYMBOLS	THIS DRAWING CONTAINS INFORMATION THAT IS PROPRIETARY TO MOLEX ELECTRONIC TECHNOLOGIES, LLC AND SHOULD NOT BE USED WITHOUT WRITTEN PERMISSION		
	THIS DRAWING DIMENSION UNITS	SCALE	CURRENT REV DESC: REMASTERED USING 3D MODELS
$\nabla_A = 0$	mm	5:1	
$\nabla_F = 0$	GENERAL TOLERANCES (UNLESS SPECIFIED)		
$\nabla_V = 0$	ANGULAR TOL ± 0.5°		
DIVISIONAL SYMBOLS	4 PLACES	±	
	3 PLACES	±	
	2 PLACES	±	0.1
	1 PLACE	±	0.15
	0 PLACES	±	
DRAFT WHERE APPLICABLE MUST REMAIN WITHIN DIMENSIONS		THIRD ANGLE PROJECTION	DRAWING
			A3-SIZE
		SERIES	95540
		MATERIAL NUMBER	SEE CHART
		CUSTOMER	GENERAL MARKET
		SHEET NUMBER	1 OF 3
		EC NO: 686740	
		DRWN: GWU15	2021/07/15
		CHK'D: KLANG	2021/12/16
		APPR: KLANG	2021/12/16
		INITIAL REVISION:	
		DRWN: KNOLLER	2004/06/30
		APPR: KNOLLER	2004/06/30
		DOCUMENT NUMBER	SD-95540-001
		DOC TYPE	PSD
		DOC PART	001
		REVISION	L2

DOCUMENT STATUS	P1	RELEASE DATE	2021/12/16	01:29:37
-----------------	----	--------------	------------	----------

NOTES:

1. COPLANARITY OF LEADS: 0.10 MAX.
COPLANARITY OF SHIELD TABS: 0.10 MAX.
2. PACKAGING SPECIFICATION: BLISTER ON REEL (SEE CHART)
3. PRODUCT SPECIFICATION: MOLEX PS-95540-002
4. KAPTON ADHESIVE FOIL: 0.125 THICK.
5. JACK FOR MATING WITH IEC 60603-7 AND TIA-1096-A PLUGS 95043 MOLEX SERIES
6. MANUFACTURING I.D. CAN BE EITHER MXF, MG, MXI OR MXCH.

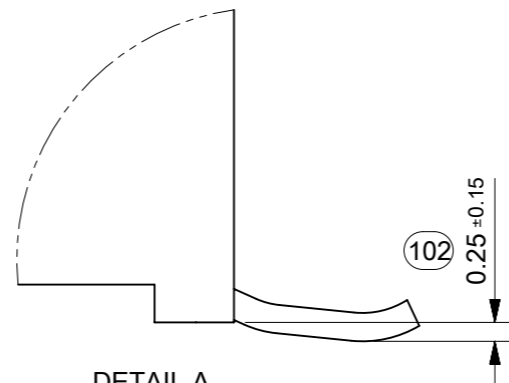
LAST INSPECTION NO.: 121
REMOVED INSPECTION NO.: 103, 105, 107



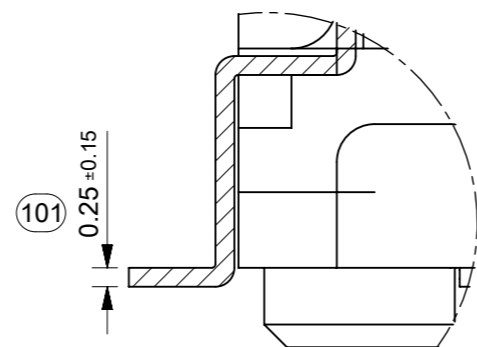
RECOMMENDED P.C.B. MOUNTING PATTERNS
VIEW FROM COMPONENT SIDE
ALL DIMENSIONS REF DIMENSIONS

PACKAGING		
PART NUMBER	REEL SIZE	SPECIFICATION
95540-6886	330	PK-85502-SHT 1
95540-6888	559	PK-85502-SHT 3

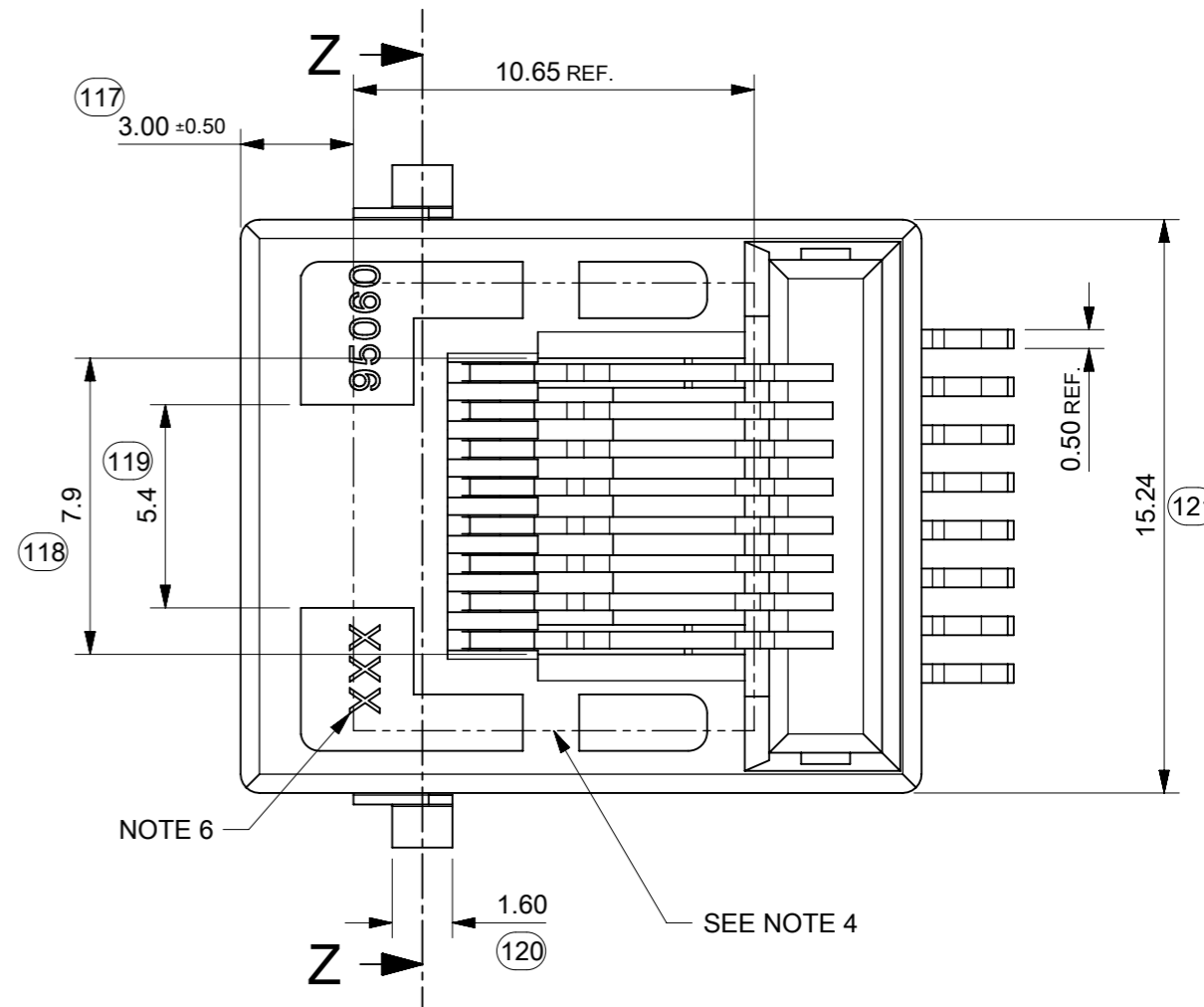
MATERIAL:
HOUSING: LCP GLASS FILLED UL 94-V0, COLOR: BLACK
TERMINAL: COPPER ALLOY PLATED WITH:
BASE FINISH: NICKEL
CONTACT SURFACE FINISH:
GOLD
OR
GOLD FLASH OVER PALLADIUM NICKEL
EXCEEDS PRODUCT REQUIREMENTS BASED ON PS-95540-002
SHIELD: COPPER ALLOY PLATED WITH TIN



DETAIL A
SCALE 10:1

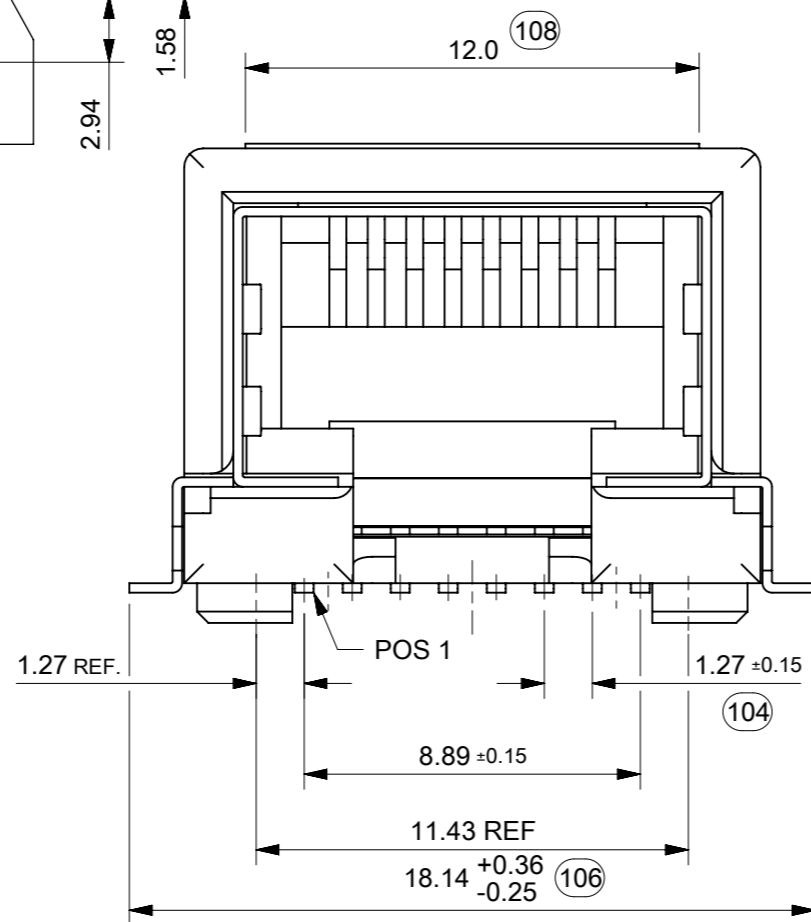
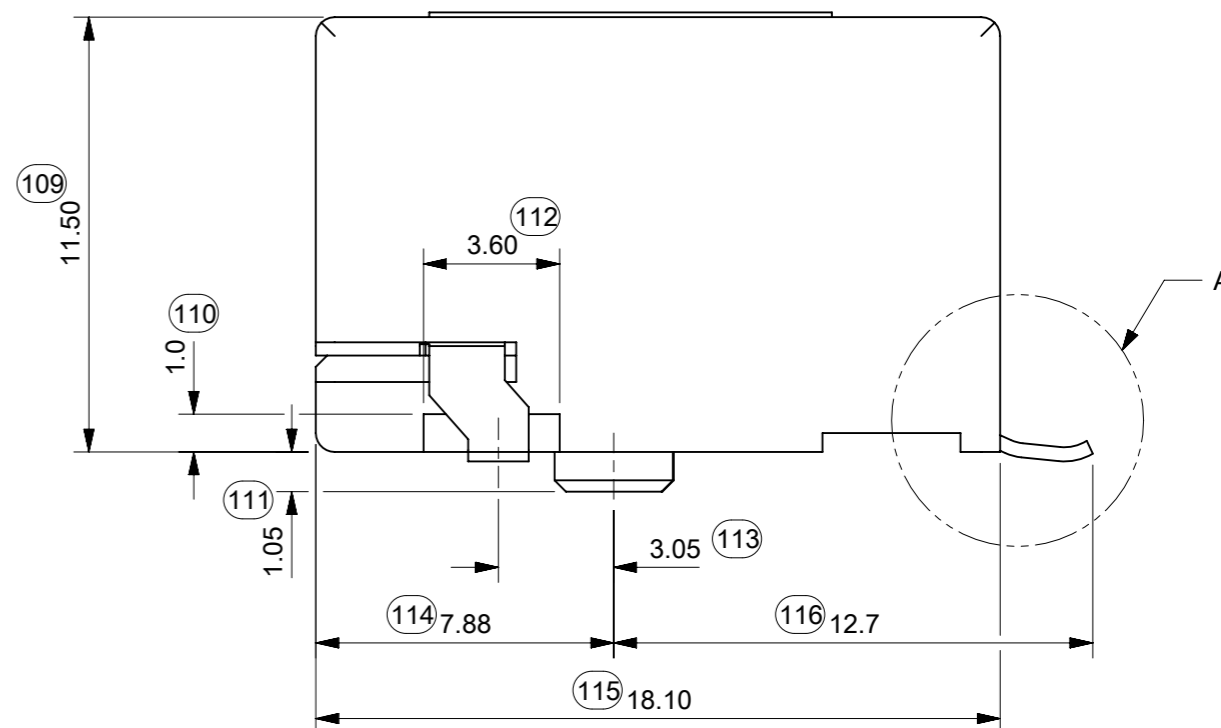


PARTIAL Z-Z



NOTE 6

SEE NOTE 4



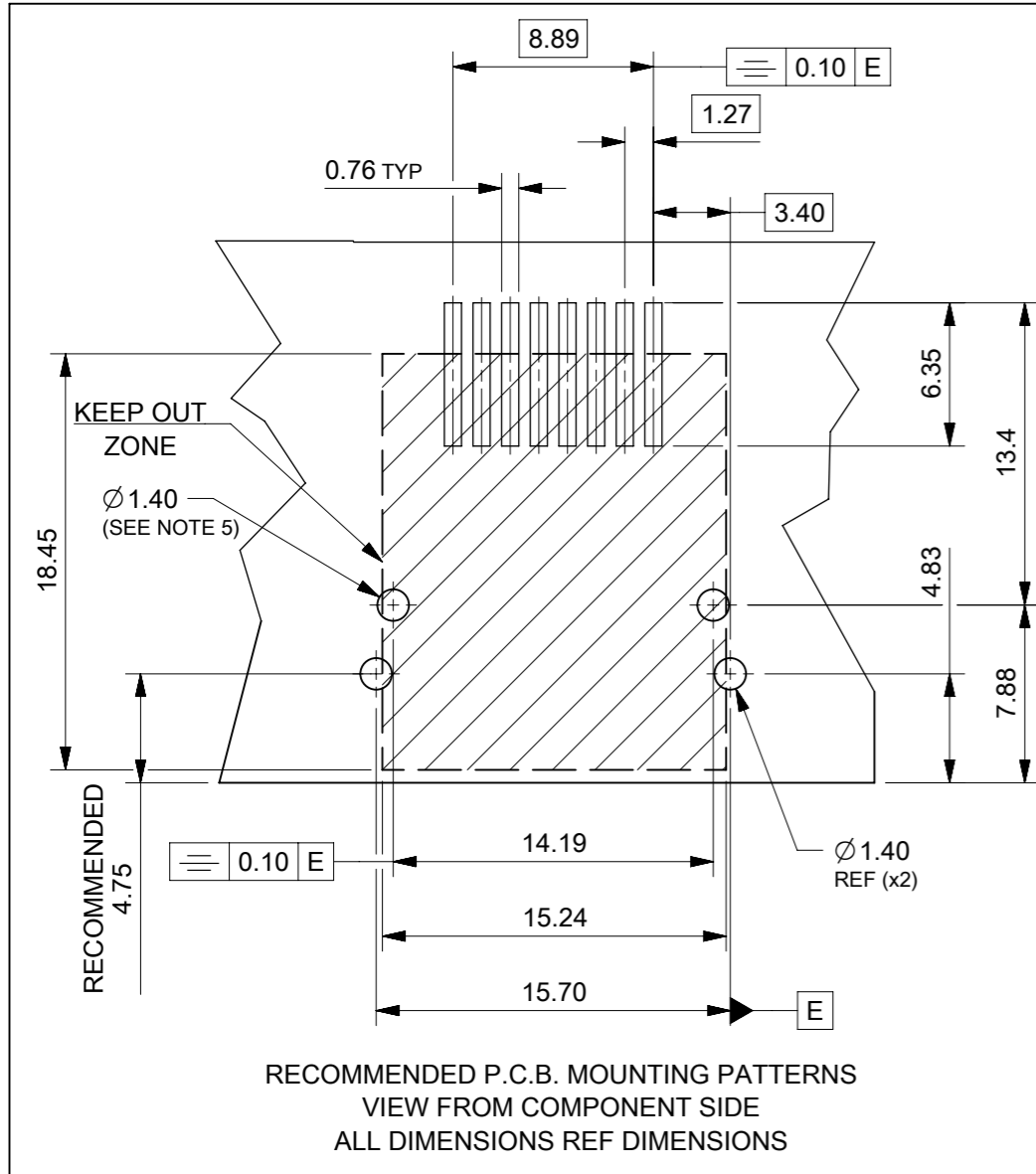
FUNCTIONAL SYMBOLS	THIS DRAWING CONTAINS INFORMATION THAT IS PROPRIETARY TO MOLEX ELECTRONIC TECHNOLOGIES, LLC AND SHOULD NOT BE USED WITHOUT WRITTEN PERMISSION		CURRENT REV DESC: REMASTERED USING 3D MODELS		
	$\nabla_A = 0$ $\nabla_E = 0$ $\nabla_P = 0$	DIMENSION UNITS: mm SCALE: 5:1	GENERAL TOLERANCES (UNLESS SPECIFIED) ANGULAR TOL ± 0.5°		
DIVISIONAL SYMBOLS	4 PLACES ±	EC NO: 686740	2021/07/15	PRODUCT CUSTOMER DRAWING	
	3 PLACES ±	DRWN: GWU15	2021/12/16	DOCUMENT NUMBER: SD-95540-001	
	2 PLACES ± 0.1	CHK'D: KLANG	2021/12/16	DOC TYPE: PSD	DOC PART: 001
	1 PLACE ± 0.15	APPR: KLANG		REVISION: L2	
	0 PLACES ±	INITIAL REVISION:		SHEET NUMBER: 2 OF 3	
	DRAFT WHERE APPLICABLE MUST REMAIN WITHIN DIMENSIONS	DRWN: KNOLLER	2004/06/30	MATERIAL NUMBER: SEE CHART	CUSTOMER: GENERAL MARKET
		APPR: KNOLLER	2004/06/30		
	THIRD ANGLE PROJECTION	DRAWING: A3-SIZE	SERIES: 95540		

TECHNICAL SPECIFICATIONS:

MATERIAL:
 HOUSING: LCP GLASS FILLED UL 94-V0 COLOR: BLACK
 TERMINAL: COPPER ALLOY PLATED WITH:
 BASE FINISH: NICKEL
 CONTACT SURFACE FINISH:
 GOLD
 OR
 GOLD FLASH OVER PALLADIUM NICKEL
 EXCEEDS PRODUCT REQUIREMENTS BASED ON PS-95540-002

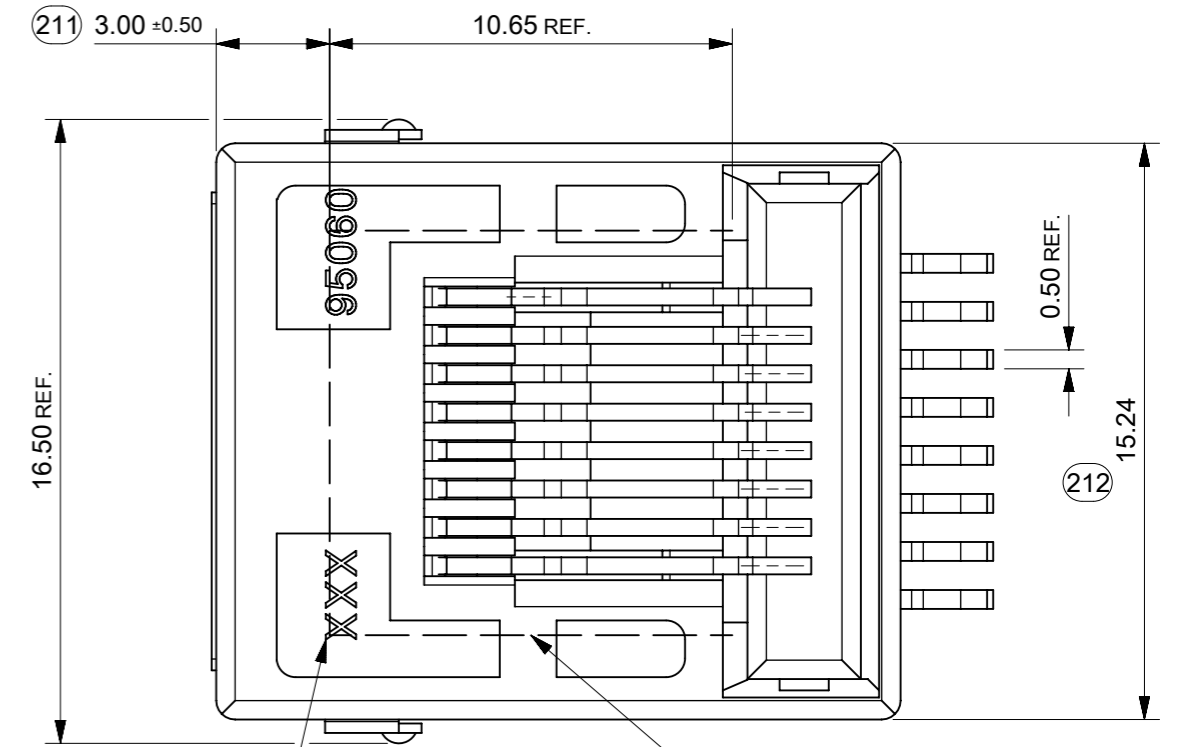
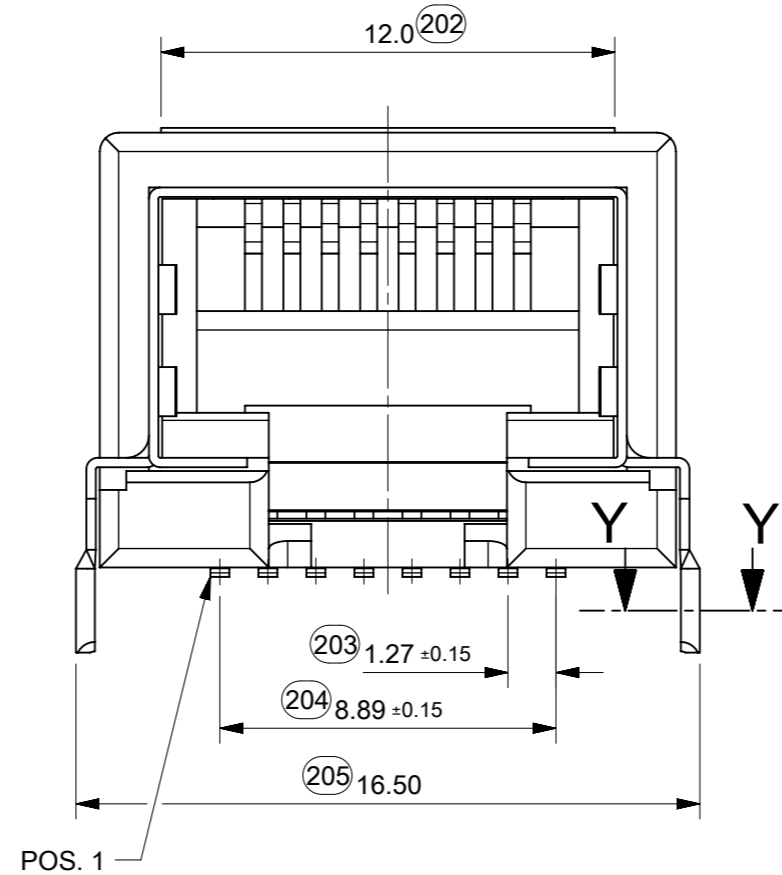
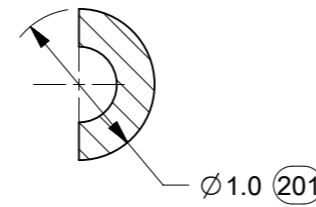
SHIELD: COPPER ALLOY PLATED WITH TIN

PART NUMBER	PEG DIM A	PACKAGING	
		REEL SIZE	SPEC.
95540-5880	1.34±0.10	330	PK-85502 SHET 1
95540-6880	2.25	330	PK-85502 SHET 1



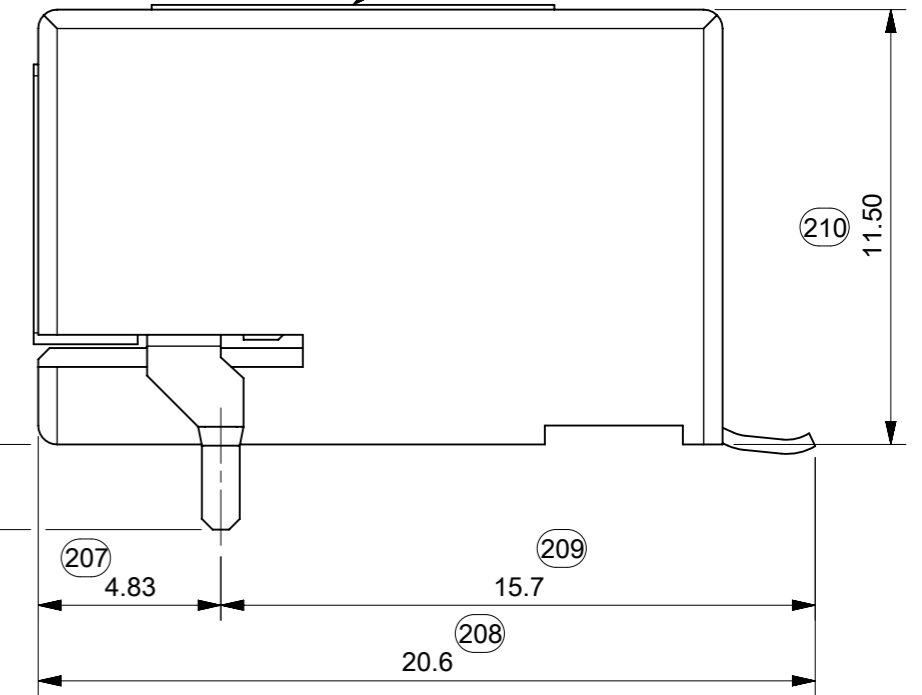
- NOTES:
- JACK FOR MATING WITH IEC 60603-7 AND TIA-1096-A PLUGS, 95043 MOLEX SERIES.
 - COPLANARITY OF LEADS: 0.10 MAX.
 - PACKAGING: MOLEX PK-85502 SHEET 1 (BLISTER ON REEL).
 - KAPTON ADHESIVE FOIL: 0.125 THICK.
 - OPTIONAL HOLES FOR COMPAT. WITH UNSHIELDED VERSION.
 - PRODUCT SPECIFICATION: MOLEX PS-95540-002
 - MANUFACTURING I.D. CAN BE EITHER MXF, MG, MXI OR MXCH.

LAST INSPECTION NUMBER: 212



NOTE 7

SEE NOTE 4



FUNCTIONAL SYMBOLS	THIS DRAWING CONTAINS INFORMATION THAT IS PROPRIETARY TO MOLEX ELECTRONIC TECHNOLOGIES, LLC AND SHOULD NOT BE USED WITHOUT WRITTEN PERMISSION	CURRENT REV DESC: REMASTERED USING 3D MODELS																									
	<table border="1"> <tr> <th>FUNCTIONAL SYMBOLS</th> <th>DIMENSION UNITS</th> <th>SCALE</th> </tr> <tr> <td>$\nabla_A = 0$</td> <td>mm</td> <td>5:1</td> </tr> <tr> <td>$\nabla_E = 0$</td> <td colspan="2">GENERAL TOLERANCES (UNLESS SPECIFIED)</td> </tr> <tr> <td>$\nabla_V = 1$</td> <td colspan="2">ANGULAR TOL ± 0.5°</td> </tr> <tr> <td rowspan="5">DIVISIONAL SYMBOLS</td> <td>4 PLACES</td> <td>±</td> </tr> <tr> <td>3 PLACES</td> <td>±</td> </tr> <tr> <td>2 PLACES</td> <td>± 0.1</td> </tr> <tr> <td>1 PLACE</td> <td>± 0.15</td> </tr> <tr> <td>0 PLACES</td> <td>±</td> </tr> </table>	FUNCTIONAL SYMBOLS	DIMENSION UNITS			SCALE	$\nabla_A = 0$	mm	5:1	$\nabla_E = 0$	GENERAL TOLERANCES (UNLESS SPECIFIED)		$\nabla_V = 1$	ANGULAR TOL ± 0.5°		DIVISIONAL SYMBOLS	4 PLACES	±	3 PLACES	±	2 PLACES	± 0.1	1 PLACE	± 0.15	0 PLACES	±	EC NO: 686740 DRWN: GWU15 2021/07/15 CHK'D: KLANG 2021/12/16 APPR: KLANG 2021/12/16
FUNCTIONAL SYMBOLS	DIMENSION UNITS	SCALE																									
$\nabla_A = 0$	mm	5:1																									
$\nabla_E = 0$	GENERAL TOLERANCES (UNLESS SPECIFIED)																										
$\nabla_V = 1$	ANGULAR TOL ± 0.5°																										
DIVISIONAL SYMBOLS	4 PLACES	±																									
	3 PLACES	±																									
	2 PLACES	± 0.1																									
	1 PLACE	± 0.15																									
	0 PLACES	±																									
PRODUCT CUSTOMER DRAWING				DOCUMENT NUMBER: SD-95540-001 DOC TYPE: PSD DOC PART: 001 REVISION: L2																							
DRAFT WHERE APPLICABLE MUST REMAIN WITHIN DIMENSIONS		THIRD ANGLE PROJECTION	DRAWING: A3-SIZE	SERIES: 95540	MATERIAL NUMBER: SEE CHART CUSTOMER: GENERAL MARKET SHEET NUMBER: 3 OF 3																						