

DESCRIPTION

- Multi-rate up to 3.2Gbps operation
- Wide gain-bandwidth product
 - 38dB differential gain
 - 2.2GHz 3dB bandwidth
- Low noise 50Ω CML data outputs
 - 800mV_{PP} output swing
 - 60ps edge rates
 - 5ps_{RMS} typ. random jitter
 - 15ps_{PP} typ. deterministic jitter
- Chatter-free Signal Detect (SD) output
 - 4.6dB electrical hysteresis
 - OC-TTL output with internal 5kΩ pull-up resistor
- Programmable SD sensitivity using single external resistor
- Internal 50Ω data input termination
- Wide operating range
 - Single 3.3V ±10% or 5V ±10% power supply
 - -40°C to +85°C industrial temperature range
- Available in a tiny 10-pin MSOP (3mm × 3mm) package

The SY88883V low-power, limiting post amplifier is designed for use in fiber optic receivers. The device connects to typical transimpedance amplifiers (TIAs). The linear signal output from TIAs can contain significant amounts of noise and may vary in amplitude over time. The SY88883V quantizes these signals and outputs typically 800mV_{PP} voltage-limited waveforms.

The SY88883V operates from a single +3.3V ±10% or +5V ±10% power supply, over the industrial temperature range of -40°C to +85°C. With its wide bandwidth and high-gain, signals with data rates up to 3.2Gbps and as small as 10mV_{pp} can be amplified to drive devices with CML inputs or AC-coupled PECL inputs.

The SY88883V generates a signal detect (SD) open-collector TTL output with internal 5kΩ pull-up resistor. A programmable signal detect level set pin (SD_{LVL}) sets the sensitivity of the input amplitude detection. SD asserts high if the input amplitude rises above the threshold set by SD_{LVL} and de-asserts low otherwise. Typically 4.6dB SD hysteresis is provided to prevent chattering.

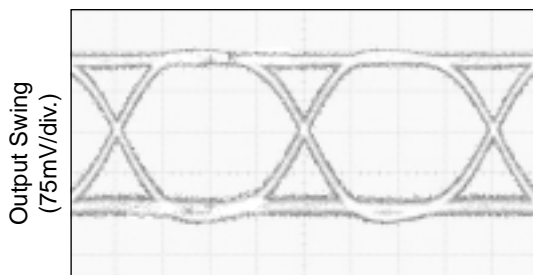
All support documentation can be found on Micrel's web site at www.micrel.com.

APPLICATIONS

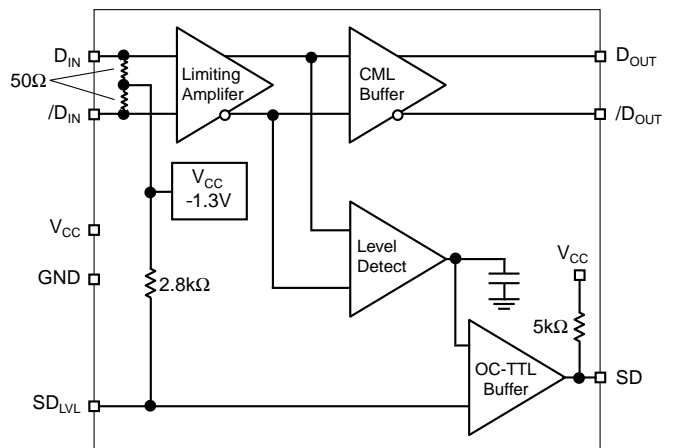
- 1.25Gbps and 2.5Gbps Gigabit Ethernet
- 1.062Gbps and 2.125Gbps Fibre Channel
- 155Mbps, 622Mbps, 1.25Gbps and 2.5Gbps SONET/SDH
- Gigabit interface converter (GBIC)
- Small form factor (SFF) and small form factor pluggable (SFP) transceivers
- Parallel 10G Ethernet
- High-gain line driver and line receiver

TYPICAL PERFORMANCE

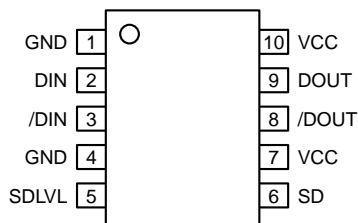
3.3V, 25°C, 10mV_{PP} Input
@ 2.5Gbps 2²³-1 PRBS, R_{LOAD} = 50Ω to V_{CC}



FUNCTIONAL BLOCK DIAGRAM



PACKAGE/ORDERING INFORMATION



10-Pin MSOP (K10-1)

Ordering Information

Part Number	Package Type	Operating Range	Package Marking	Lead Finish
SY88883VKI	K10-1	Industrial	883V	Sn-Pb
SY88823VKITR ⁽¹⁾	K10-1	Industrial	883V	Sn-Pb
SY88823VKG	K10-1	Industrial	883V with Pb-Free bar-line indicator	Pb-Free NiPdAu
SY88823VKGTR ⁽¹⁾	K10-1	Industrial	883V with Pb-Free bar-line indicator	Pb-Free NiPdAu

Note:

- 1. Tape and Reel.

PIN DESCRIPTION

Pin Number	Pin Name	Type	Pin Function
1, 4	GND	Ground	Device ground.
2, 3	DIN, /DIN	Differential Data Input	Differential data input. Each pin internally terminates to an internal reference voltage (V_{REF}) through 50Ω .
5	SDLVL	Input: Default is maximum sensitivity.	Signal Detect Level Set: A resistor from this pin to V_{CC} sets the threshold for the data input amplitude at which the SD output will be asserted. Bypass with $0.01\mu F$ low ESR capacitor from SD_{LVL} to V_{CC} to stabilize SD_{LVL} .
6	SD	Open Collector TTL Output with internal $5k\Omega$ pull-up resistor	Signal Detect: Asserts high when the data input amplitude rises above the threshold set by SD_{LVL} .
7, 10	VCC	Power Supply	Positive power supply. Bypass with $0.1\mu F$ $0.01\mu F$ low ESR capacitors. $0.01\mu F$ capacitors should be as close to VCC pins as possible.
8, 9	DOUT, /DOUT	Differential CML Output	Differential data output.

Absolute Maximum Ratings⁽¹⁾

Supply Voltage (V_{CC}) 0V to +7.0V
 SD_{LVL} Voltage 0 to V_{CC}
 SD Current ±5mA
 D_{OUT}, /D_{OUT} Current ±25mA
 D_{IN}, /D_{IN} Current ±10mA
 Storage Temperature (T_S) -65°C to +150°C
 Lead Temperature (soldering, 20 sec.) 260°C

Operating Ratings⁽²⁾

Supply Voltage (V_{CC}) +3.0V to +3.6V or
 +4.5V to +5.5V
 Ambient Temperature (T_A) -40°C to +85°C
 Junction Temperature (T_J) -40°C to +120°C
 Package Thermal Resistance⁽³⁾
 MSOP
 (θ_{JA}) Still-Air 113°C/W
 (Ψ_{JB}) 74°C/W

DC ELECTRICAL CHARACTERISTICS

$V_{CC} = 3.0V$ to $3.6V$ or $4.5V$ to $5.5V$; $R_{LOAD} = 50\Omega$ to V_{CC} ; $T_A = -40^\circ C$ to $+85^\circ C$; typical values at $V_{CC} = 3.3V$, $T_A = 25^\circ C$.

Symbol	Parameter	Condition	Min	Typ	Max	Units
I_{CC}	Power Supply Current ⁽⁴⁾	3.3V		19	28	mA
		5V		21	31	mA
I_{CC}	Power Supply Current ⁽⁵⁾	3.3V		32	53	mA
		5V		38	58	mA
V_{REF}	Internal Reference Voltage			$V_{CC}-1.3$		V
SD_{LVL}	SD_{LVL} Level		V_{REF}		V_{CC}	V
V_{OH}	Output HIGH Voltage	Note 6	$V_{CC}-0.020$	$V_{CC}-0.005$	V_{CC}	V
V_{OL}	Output LOW Voltage	Note 6		$V_{CC}-0.400$	$V_{CC}-0.275$	V
V_{OFFSET}	Differential Output Offset				±80	mV
Z_O	Single-Ended Output Impedance		40	50	60	Ω
Z_I	Single-Ended Input Impedance		40	50	60	Ω

TTL DC ELECTRICAL CHARACTERISTICS

$V_{CC} = 3.0V$ to $3.6V$ or $4.5V$ to $5.5V$; $R_{LOAD} = 50\Omega$ to V_{CC} ; $T_A = -40^\circ C$ to $+85^\circ C$; typical values at $V_{CC} = 3.3V$, $T_A = 25^\circ C$.

Symbol	Parameter	Condition	Min	Typ	Max	Units
V_{OH}	SD Output HIGH Level	Sourcing 100μA	2.4		V_{CC}	V
V_{OL}	SD Output LOW Level	Sinking 2mA			0.5	V

Notes:

1. Permanent device damage may occur if absolute maximum ratings are exceeded. This is a stress rating only and functional operation is not implied at conditions other than those detailed in the operational sections of this data sheet. Exposure to absolute maximum ratings conditions for extended periods may affect device reliability.
2. The data sheet limits are not guaranteed if the device is operated beyond the operating ratings.
3. Thermal performance assumes use of 4-layer PCB.
4. Excludes current of CML output stage. See "Detailed Description."
5. Total device current with no output load.
6. Output levels are based on a 50Ω to V_{CC} load impedance. If the load impedance is different, the output level will be changed. Amplifier is in limiting mode.

AC ELECTRICAL CHARACTERISTICS

$V_{CC} = 3.0V$ to $3.6V$ or $4.5V$ to $5.5V$; $R_{LOAD} = 50\Omega$ to V_{CC} ; $T_A = -40^\circ C$ to $+85^\circ C$; typical values at $V_{CC} = 3.3V$, $T_A = 25^\circ C$.

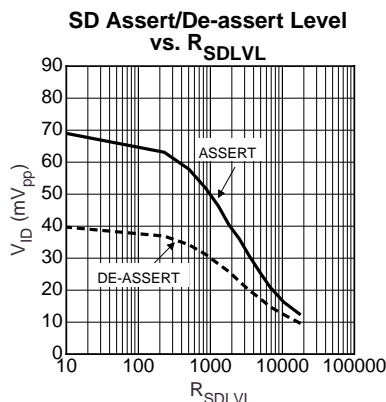
Symbol	Parameter	Condition	Min	Typ	Max	Units
HYS	SD Hysteresis	Note 7	2	4.6	8	dB
PSRR	Power Supply Rejection Ratio			35		dB
t_{OFF}	SD Release Time			0.1	0.5	μs
t_{ON}	SD Assert Time			0.2	0.5	μs
t_r, t_f	Differential Output Rise/Fall Time (20% to 80%)	Note 8		60	120	ps
t_{JITTER}	Deterministic Random	Note 9		15 5		p_{SPP} p_{SRMS}
V_{ID}	Differential Input Voltage Swing		10		1800	mV _{PP}
V_{OD}	Differential Output Voltage Swing	Note 10	550	800		mV _{PP}
V_{SR}	SD Sensitivity Range	Note 11	10		50	mV _{PP}
B_{-3dB}	3dB Bandwidth			2.2		GHz
$A_{V(Diff)}$	Differential Voltage Gain		32	38		dB
S_{21}	Single-Ended Small-Signal Gain		26	32		dB

Notes:

- Electrical signal.
- With input signal $V_{ID} > 50mV_{pp}$ and 50Ω load.
- Deterministic jitter measured using K28.5 pattern at 2.488Gbps, $V_{ID} = 10mV_{pp}$. Random jitter measured using K28.7 pattern at 2.488Gbps, $V_{ID} = 10mV_{pp}$.
- Input is a 200MHz square wave, $t_r < 300ps$, 50Ω load. $V_{ID} \geq 14mV_{pp}$.
- This is the detectable range of input amplitudes that can de-assert SD. The input amplitude to assert SD is 2–8dB higher than the de-assert amplitude. See "Typical Operating Characteristics" for a graph showing how to choose a particular R_{SDLVL} for a particular SD de-assert, and its associated assert, amplitude.

TYPICAL OPERATING CHARACTERISTICS

$V_{CC} = 3.3V$, $GND = 0V$, $T_A = 25^\circ C$, unless otherwise stated.



DETAILED DESCRIPTION

The SY88883V low-power limiting post amplifier operates from a single +3.3V or +5V power supply, over temperatures from -40°C to $+85^{\circ}\text{C}$. Signals with data rates up to 3.2Gbps and as small as 10mV_{PP} can be amplified. Figure 1 shows the allowed input voltage swing. The SY88883V generates an SD output. SD_{LVL} sets the sensitivity of the input amplitude detection.

Input Amplifier/Buffer

The SY88883V's inputs are internally terminated with 50Ω to an internal reference voltage (V_{REF}). V_{REF} is typically 1.3V below V_{CC} . Unless not affected by this internal termination scheme, upstream devices need to be AC-coupled to the SY88883V's inputs. Figure 2 shows a simplified schematic of the input stage.

The high-sensitivity of the input amplifier allows signals as small as 10mV_{PP} to be detected and amplified. The input amplifier allows input signals as large as $1800\text{mV}_{\text{PP}}$. Input signals are linearly amplified with a typically 38dB differential voltage gain. Since it is a limiting amplifier, the SY88883V outputs typically 800mV_{PP} voltage-limited waveforms for input signals that are greater than 10mV_{PP} . Applications requiring the SY88883V to operate with high-gain should have the upstream TIA placed as close as possible to the SY88883V's input pins to ensure the best performance of the device.

Output Buffer

The SY88883V's CML output buffer is designed to drive 50Ω lines. The output buffer requires appropriate termination for proper operation. An external 50Ω resistor to V_{CC} or equivalent for each output pin provides this. Figure 3 shows a simplified schematic of the output stage and includes an appropriate termination method. Of course, driving a downstream device with a CML input that is internally terminated with 50Ω to V_{CC} eliminates the need for external termination. As noted in the previous section, the amplifier outputs typically 800mV_{PP} waveforms across 25Ω total loads. The output buffer, thus, switches typically 16mA tail-current. Figure 4 shows the power supply current measurement which excludes the 16mA tail-current.

Signal Detect

The SY88883V generates a chatter-free signal detect (SD) open-collector TTL output with internal $5\text{k}\Omega$ pull-up resistor as shown in Figure 5. SD is used to determine that the input amplitude large enough to be considered a valid input. SD asserts high if the input amplitude rises above the threshold set by SD_{LVL} and deasserts low otherwise. Typically 4.6dB SD hysteresis is provided to prevent chattering.

Signal Detect-Level Set

A programmable signal detect-level set pin (SD_{LVL}) sets the threshold of the input amplitude detection. Connecting an external resistor between V_{CC} and SD_{LVL} sets the voltage at SD_{LVL} . This voltage ranges from V_{CC} to V_{REF} . The external resistor creates a voltage divider between V_{CC} and V_{REF} as shown in Figure 6. If desired, an appropriate external voltage may be applied rather than using a resistor. The smaller the external resistor, implying a smaller voltage difference from SD_{LVL} to V_{CC} , lowers the SD sensitivity. Hence, larger input amplitude is required to assert SD. "Typical Operating Characteristics" shows the relationship between the input amplitude detection sensitivity and the SD_{LVL} setting resistor.

Hysteresis

The SY88883V provides typically 4.6dB SD electrical hysteresis. By definition, a power ratio measured in dB is $10\log(\text{power ratio})$. Power is calculated as V_{IN}^2/R for an electrical signal. Hence, the same ratio can be stated as $20\log(\text{voltage ratio})$. While in linear mode, the electrical voltage input changes linearly with the optical power and, hence, the ratios change linearly. Therefore, the optical hysteresis in dB is half the electrical hysteresis in dB given in the data sheet. The SY88883V provides typically 2.3dB SD optical hysteresis. As the SY88883V is an electrical device, this data sheet refers to hysteresis in electrical terms. With 4.6dB SD hysteresis, a voltage factor of 1.7 is required to assert SD from its deassert level.

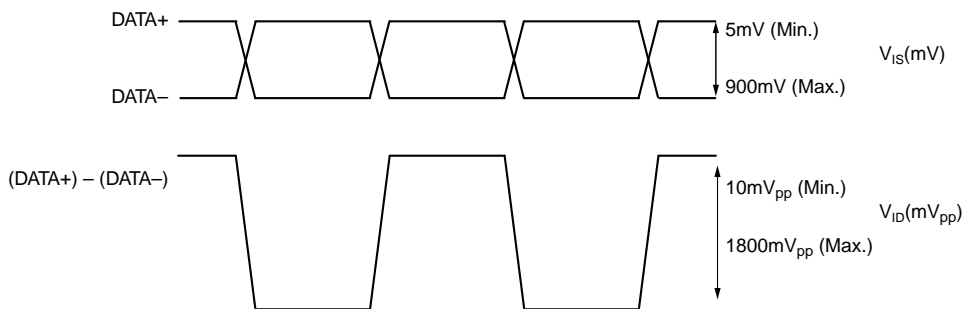


Figure 1. V_{IS} and V_{ID} Definition

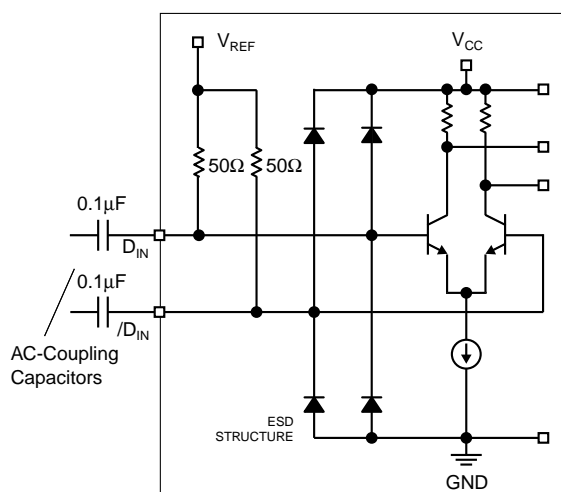


Figure 2. Input Structure

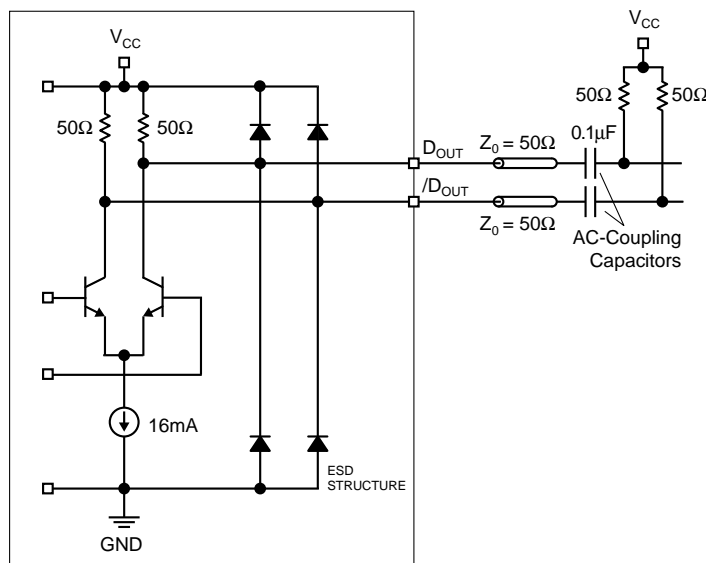


Figure 3. Output Structure

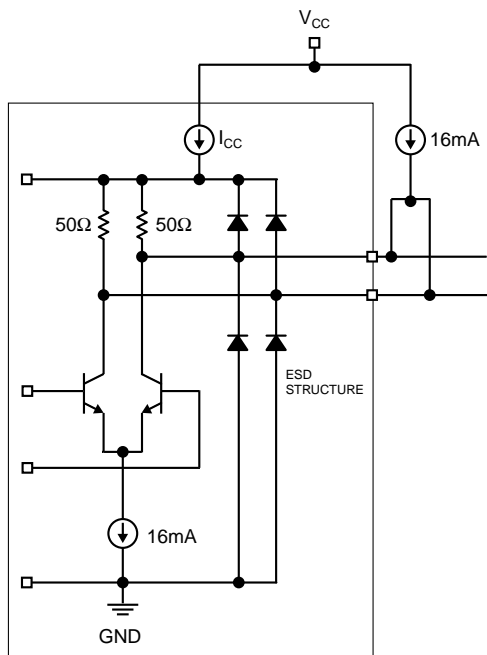


Figure 4. Power Supply Current Measurement

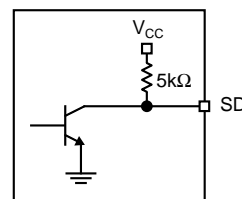


Figure 5. SD Output Structure

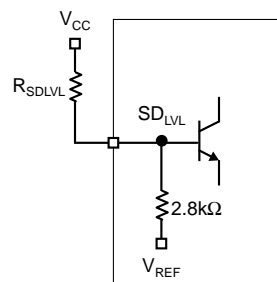
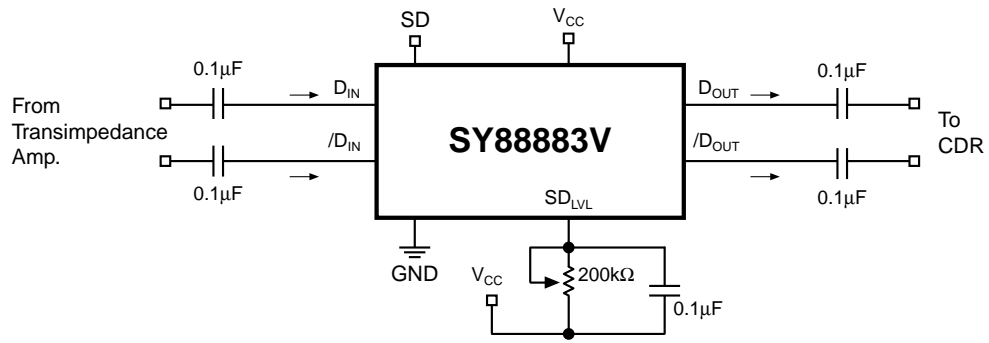
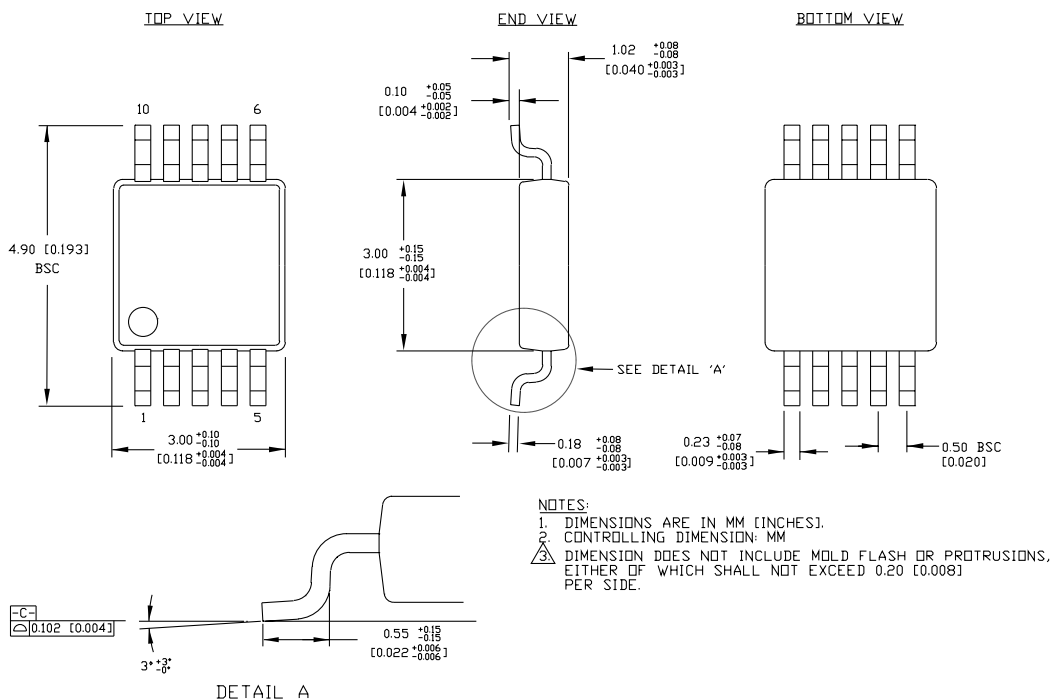


Figure 6. SD_{LVL} Setting Circuit

TYPICAL APPLICATIONS CIRCUIT



10 LEAD MSOP (K10-1)



Rev. 00

MICREL, INC. 2180 FORTUNE DRIVE SAN JOSE, CA 95131 USA

TEL + 1 (408) 944-0800 FAX + 1 (408) 474-1000 WEB <http://www.micrel.com>

The information furnished by Micrel in this data sheet is believed to be accurate and reliable. However, no responsibility is assumed by Micrel for its use. Micrel reserves the right to change circuitry and specifications at any time without notification to the customer.

Micrel Products are not designed or authorized for use as components in life support appliances, devices or systems where malfunction of a product can reasonably be expected to result in personal injury. Life support devices or systems are devices or systems that (a) are intended for surgical implant into the body or (b) support or sustain life, and whose failure to perform can be reasonably expected to result in a significant injury to the user. A Purchaser's use or sale of Micrel Products for use in life support appliances, devices or systems is at Purchaser's own risk and Purchaser agrees to fully indemnify Micrel for any damages resulting from such use or sale.

© 2005 Micrel, Incorporated.