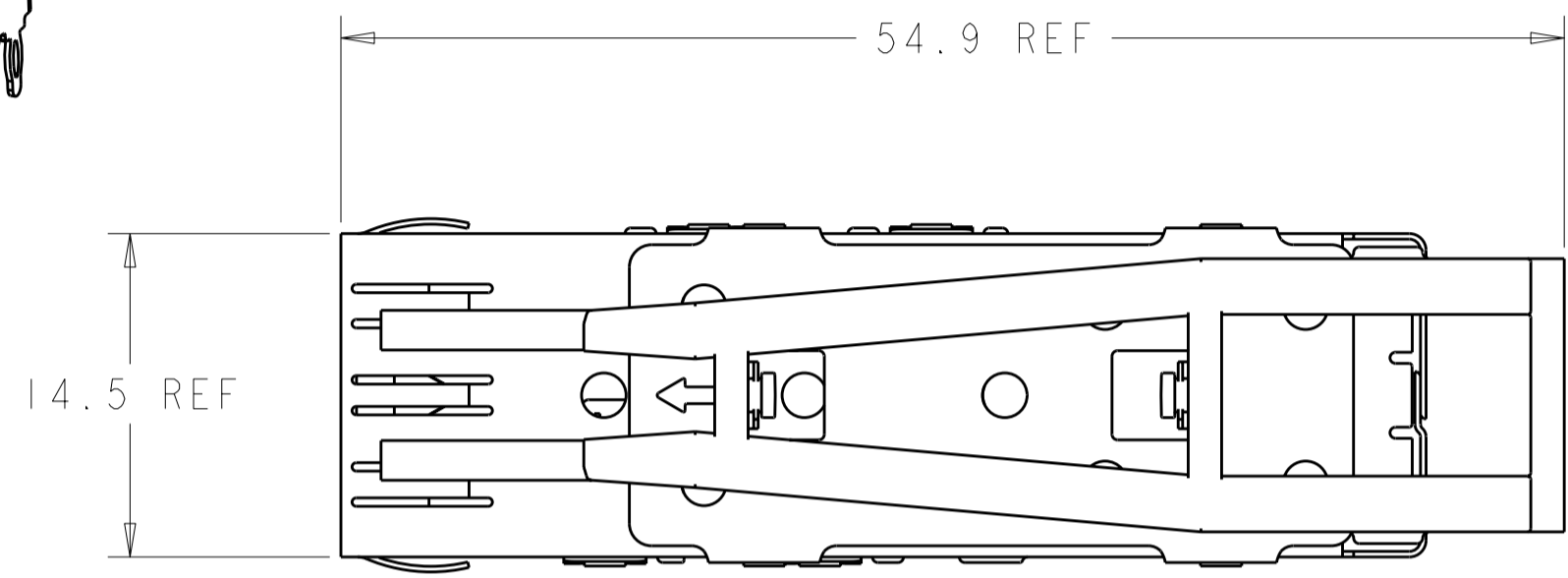
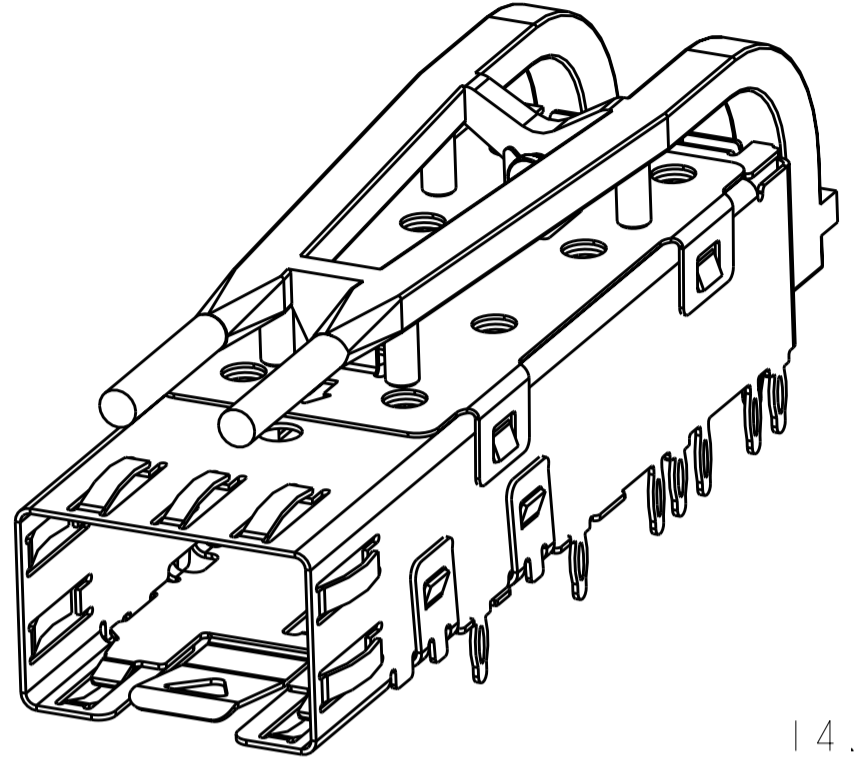
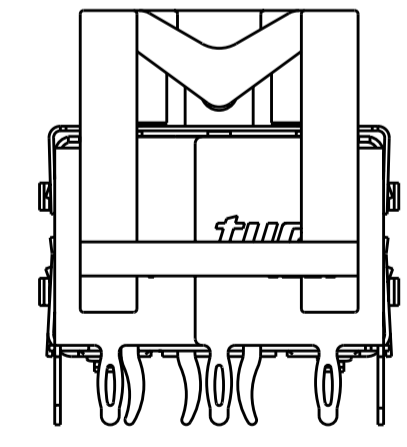
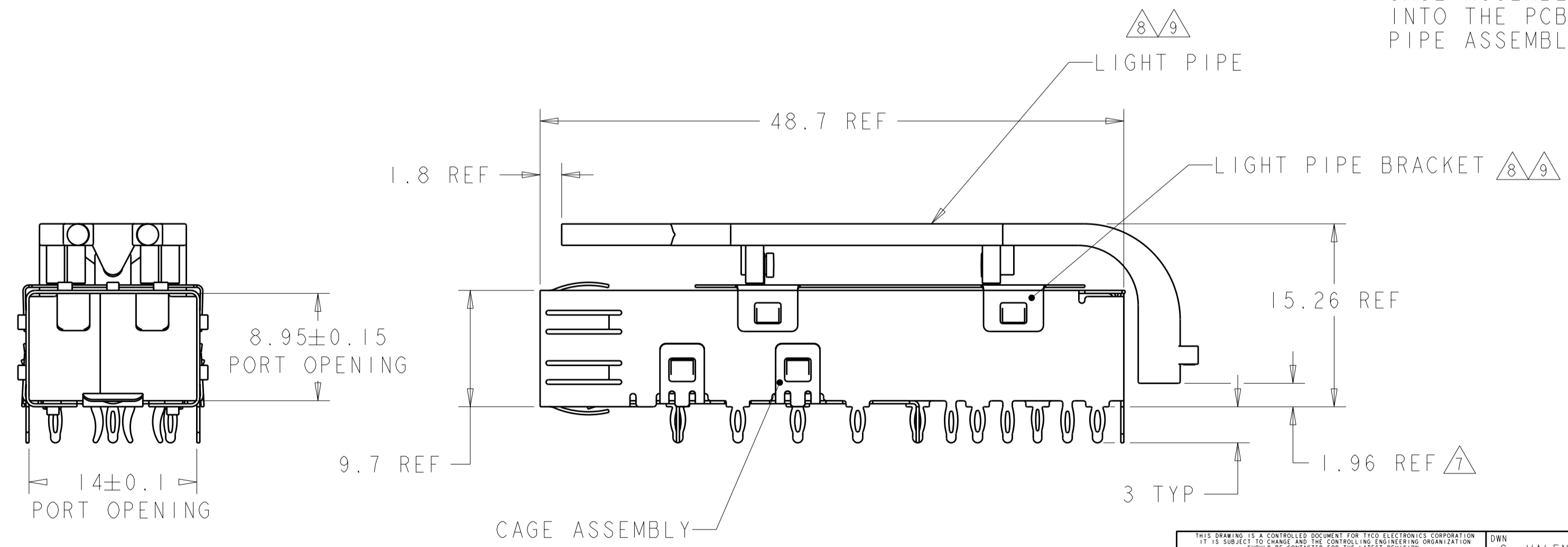


THIS DRAWING IS UNPUBLISHED. RELEASED FOR PUBLICATION 20
 © COPYRIGHT 20 BY TYCO ELECTRONICS CORPORATION. ALL RIGHTS RESERVED.

LOC	DIST	REVISIONS			
P	LTR	DESCRIPTION	DATE	DWN	APVD
GP	00	A	RELEASED ECO-09-009549	20APR2009	AL SY



- 1 MATERIAL:
 CAGE: COPPER ALLOY
 LIGHTPIPE: POLYCARBONATE, CLEAR
 LIGHTPIPE BRACKET: STAINLESS STEEL.
- 2 FINISH:
 CAGE: TIN 1.25 µm MIN THICKNESS OVER,
 0.125 µm MIN THICKNESS NICKEL.
 NONPLATED EDGES PERMISSABLE.
- 3. MATES WITH SFP MSA COMPLIANT TRANSCEIVERS.
- 4 PADS AND VIAS CHASSIS GROUND.
- 5 DATUM AND BASIC DIMENSIONS ESTABLISHED BY CUSTOMER.
- 6. MINIMUM PC BOARD THICKNESS:
 SINGLE SIDED: 1.50 mm
 (SHOWN ON SHEET 4).
- 7 MAX HEIGHT OF LED OFF BOARD IS NOT TO EXCEED 1.14mm.
- 8 LIGHT PIPE AND LIGHT PIPE BRACKET SHIPPED ASSEMBLED.
- 9 LIGHT PIPE ASSEMBLY SHIPPED UNASSEMBLED TO CAGE ASSEMBLY. CAGE ASSEMBLY TO BE PRESSED INTO THE PCB PRIOR TO ATTACHING THE LIGHT PIPE ASSEMBLY TO THE CAGE.



1367629-1
 PART NUMBER

THIS DRAWING IS A CONTROLLED DOCUMENT FOR TYCO ELECTRONICS CORPORATION IT IS SUBJECT TO CHANGE AND THE CONTROLLING ENGINEERING ORGANIZATION SHOULD BE CONTACTED FOR THE LATEST REVISION.		DWN 15 JAN 2007 C. VALENTINE CHK 15 JAN 2007 E. BRIGHT APVD 15 JAN 2007 E. BRIGHT	Tyco Electronics Harrisburg, PA 17105-3608
DIMENSIONS: mm 	TOLERANCES UNLESS OTHERWISE SPECIFIED: 0 PLC ±0.1 1 PLC ±0.1 2 PLC ±0.1 3 PLC ±0.05 4 PLC ±0.05 ANGLES ± FINISH	PRODUCT SPEC 108-1950 APPLICATION SPEC 114-13120 WEIGHT - CUSTOMER DRAWING	NAME CAGE ASSEMBLY 20 PRESS FIT ,SFP SIZE CAGE CODE DRAWING NO RESTRICTED TO A200779 C-1367629 -
MATERIAL 1 - FINISH 2 -		SCALE SHEET 1 OF 4 REV A	

4

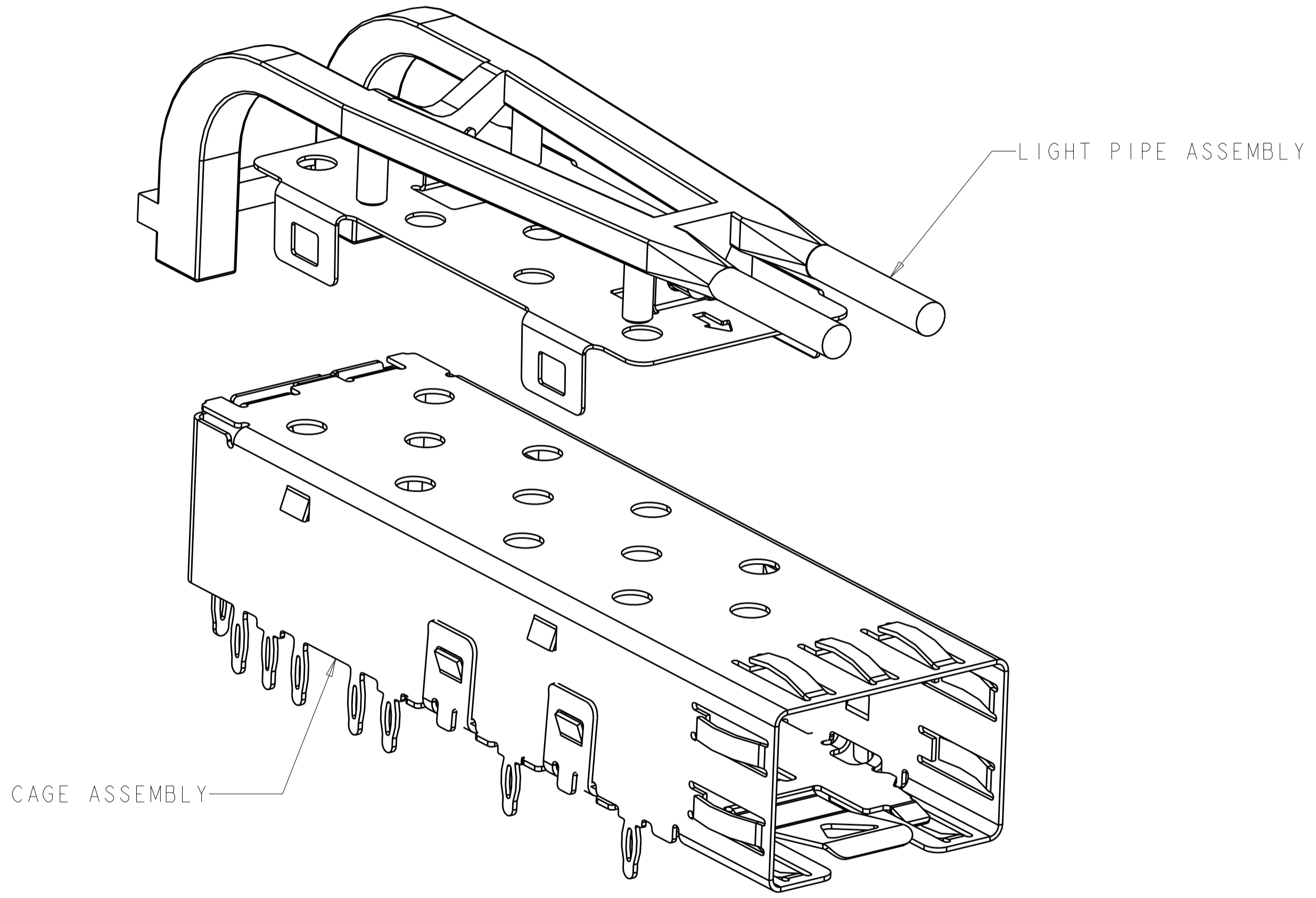
3

2

1

THIS DRAWING IS UNPUBLISHED. RELEASED FOR PUBLICATION 20
 © COPYRIGHT 20 BY TYCO ELECTRONICS CORPORATION. ALL RIGHTS RESERVED.

LOC	DIST	REVISIONS					
GP	00	P	LTR	DESCRIPTION	DATE	DWN	APVD
		-		SEE SHEET 1			

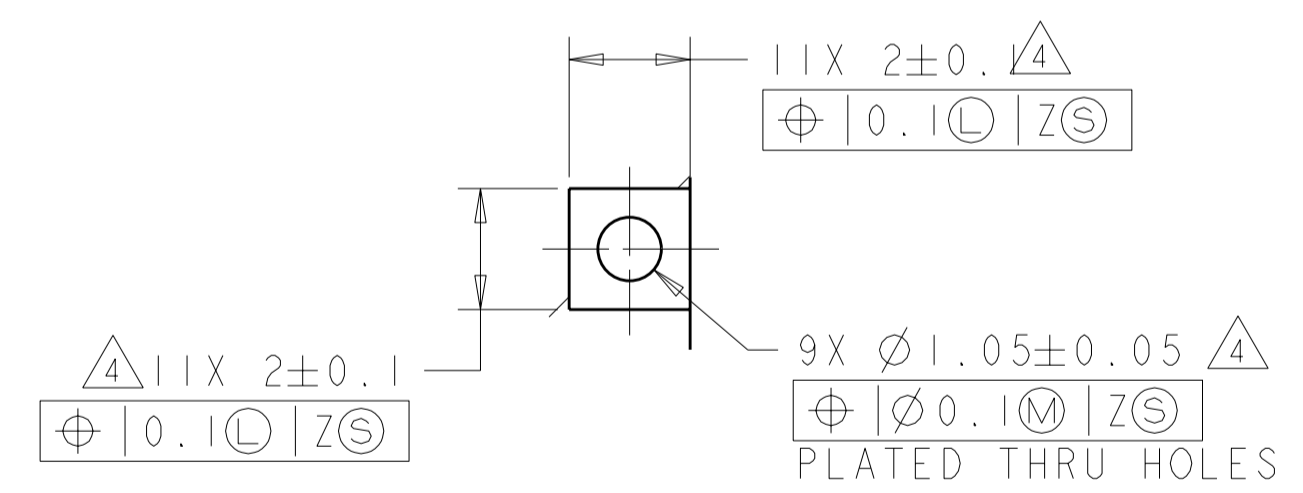
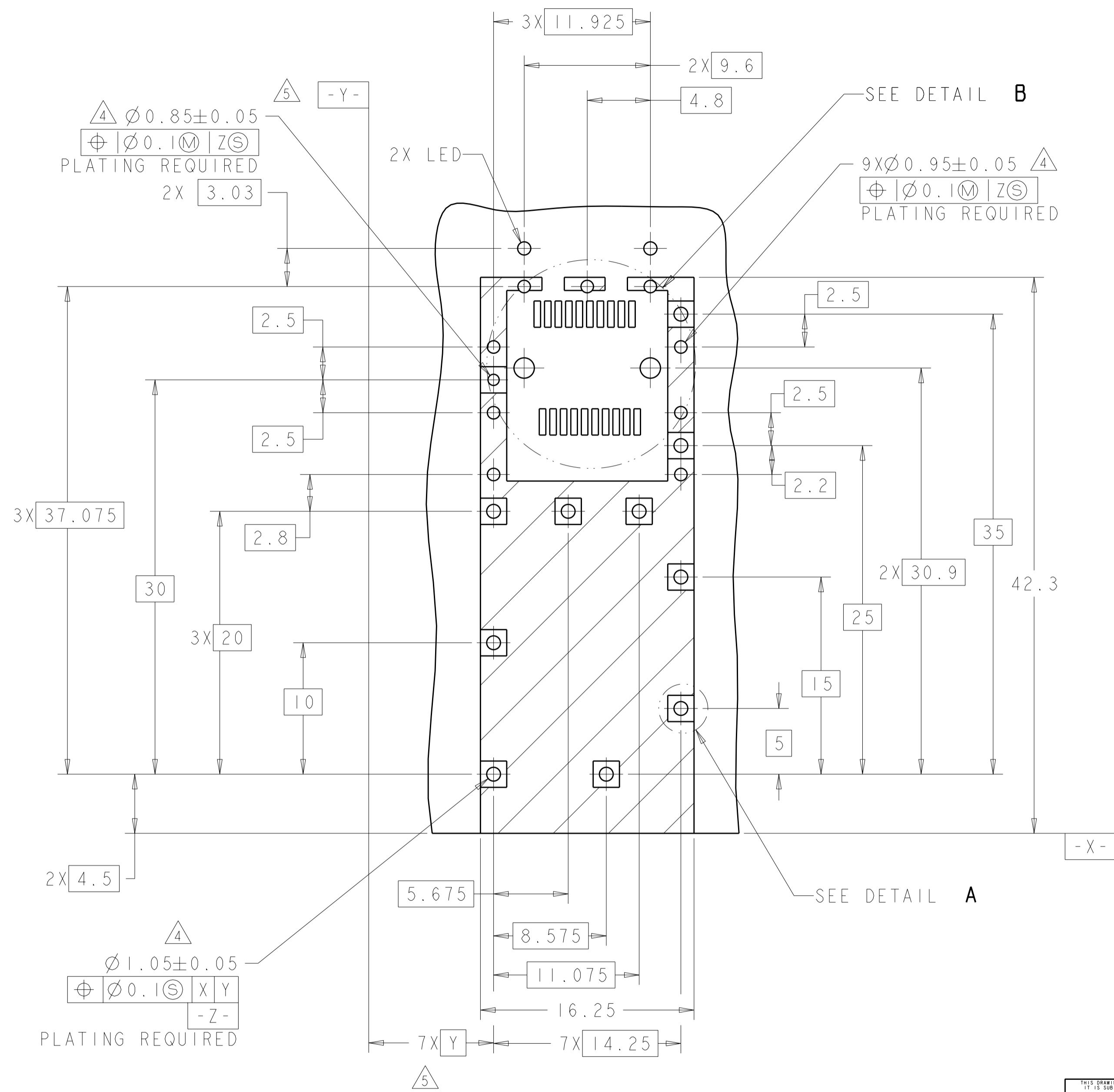


EXPLODED VIEW
SCALE 5:1

<small>THIS DRAWING IS A CONTROLLED DOCUMENT FOR TYCO ELECTRONICS CORPORATION IT IS SUBJECT TO CHANGE AND THE CONTROLLING ENGINEERING ORGANIZATION SHOULD BE CONTACTED FOR THE LATEST REVISION.</small>		DWN 15 JAN 2007 C. VALENTINE CHK 15 JAN 2007 E. BRIGHT APVD 15 JAN 2007 E. BRIGHT	Tyco Electronics Tyco Electronics Harrisburg, PA 17105-3608
DIMENSIONS: mm 	TOLERANCES UNLESS OTHERWISE SPECIFIED: 0 PLC ±0.1 1 PLC ±0.1 2 PLC ±0.1 3 PLC ±0.05 4 PLC ±0.05 ANGLES ± FINISH	PRODUCT SPEC 108-1950 APPLICATION SPEC 114-13120 WEIGHT - CUSTOMER DRAWING	NAME CAGE ASSEMBLY 20 PRESS FIT , SFP SIZE CAGE CODE DRAWING NO RESTRICTED TO A200779 C-1367629 -
AMP 1471-9 REV 31MAR2000		SCALE 1:1	SHEET 2 OF 4 REV A

THIS DRAWING IS UNPUBLISHED. RELEASED FOR PUBLICATION 20
 © COPYRIGHT 20 BY TYCO ELECTRONICS CORPORATION. ALL RIGHTS RESERVED.

LOC	DIST	REVISIONS					
GP	00	P	LTR	DESCRIPTION	DATE	DWN	APVD
		-		SEE SHEET 1			



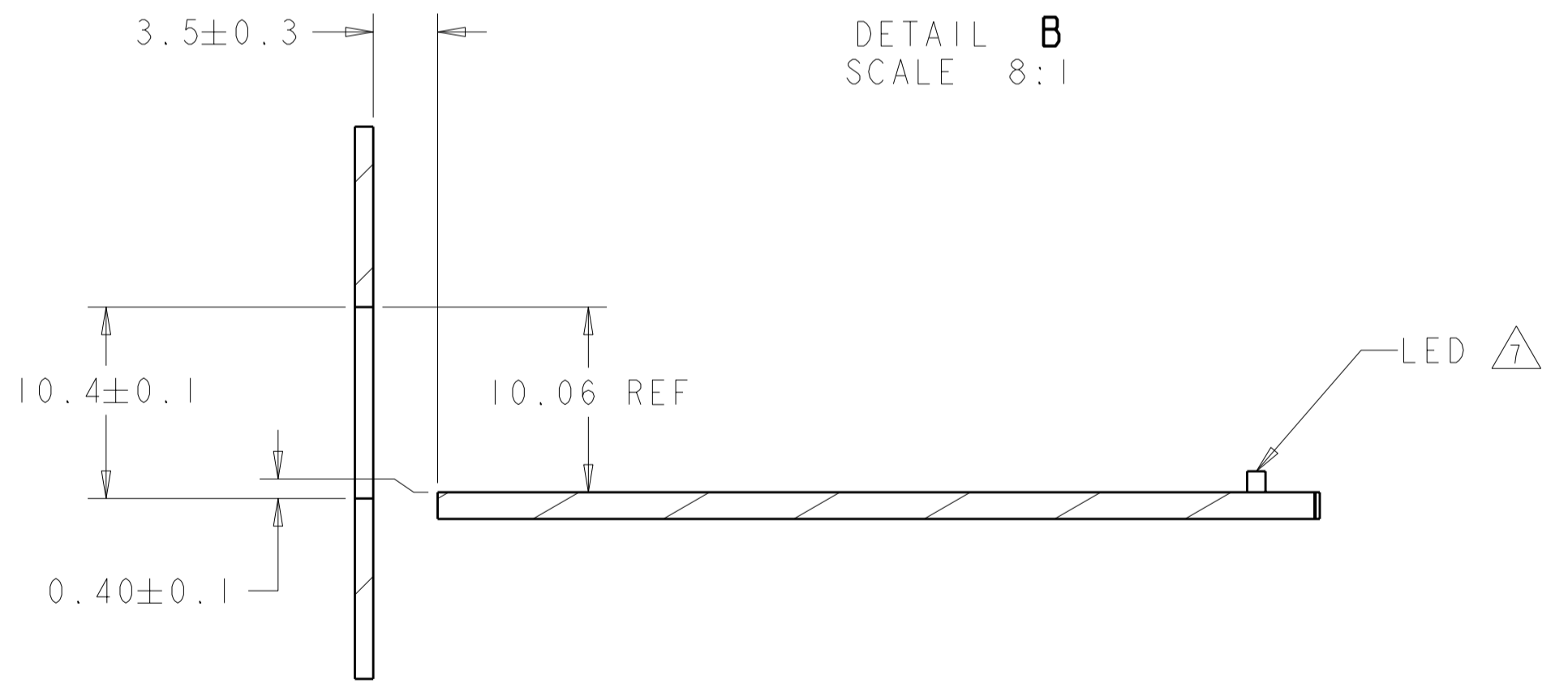
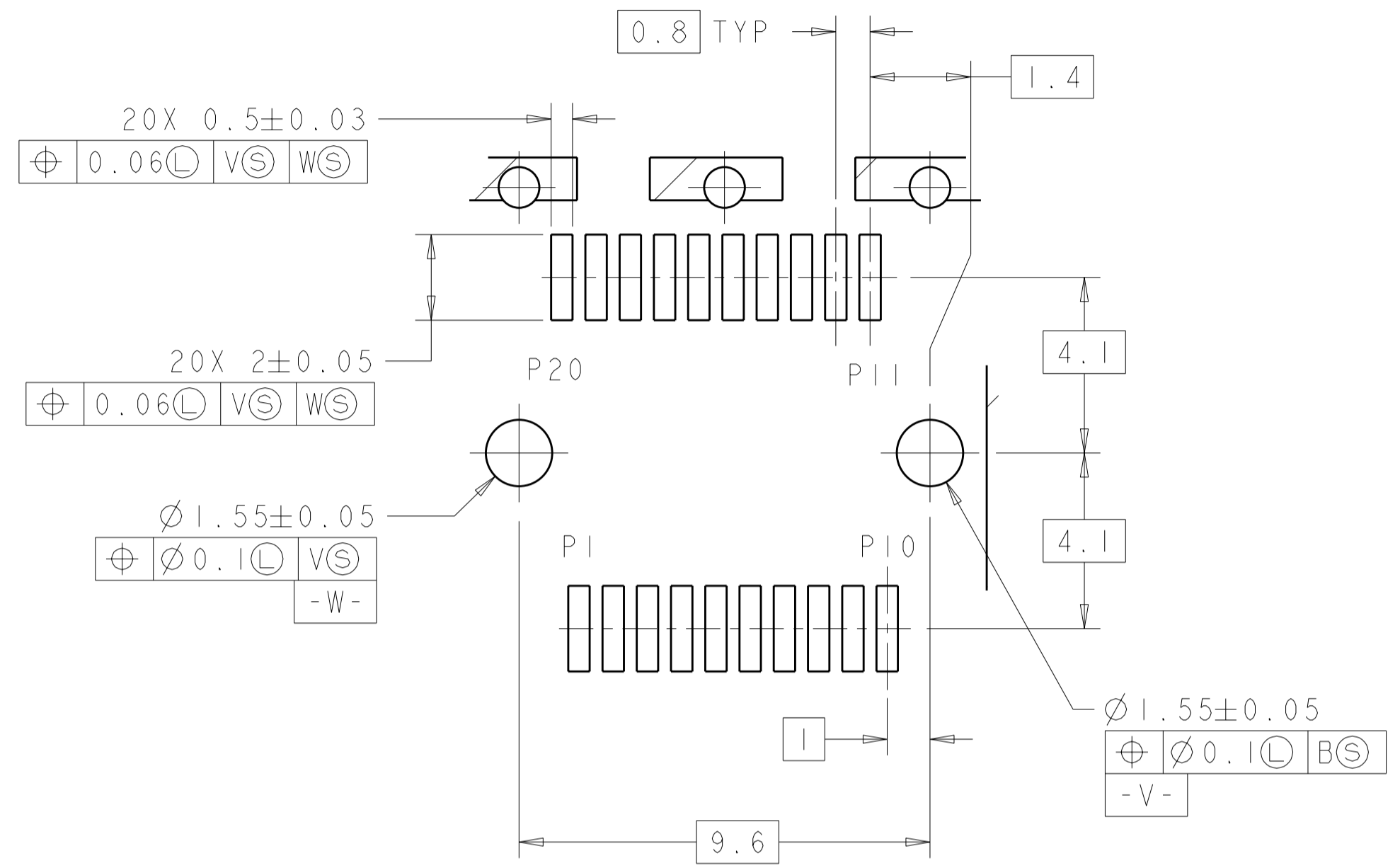
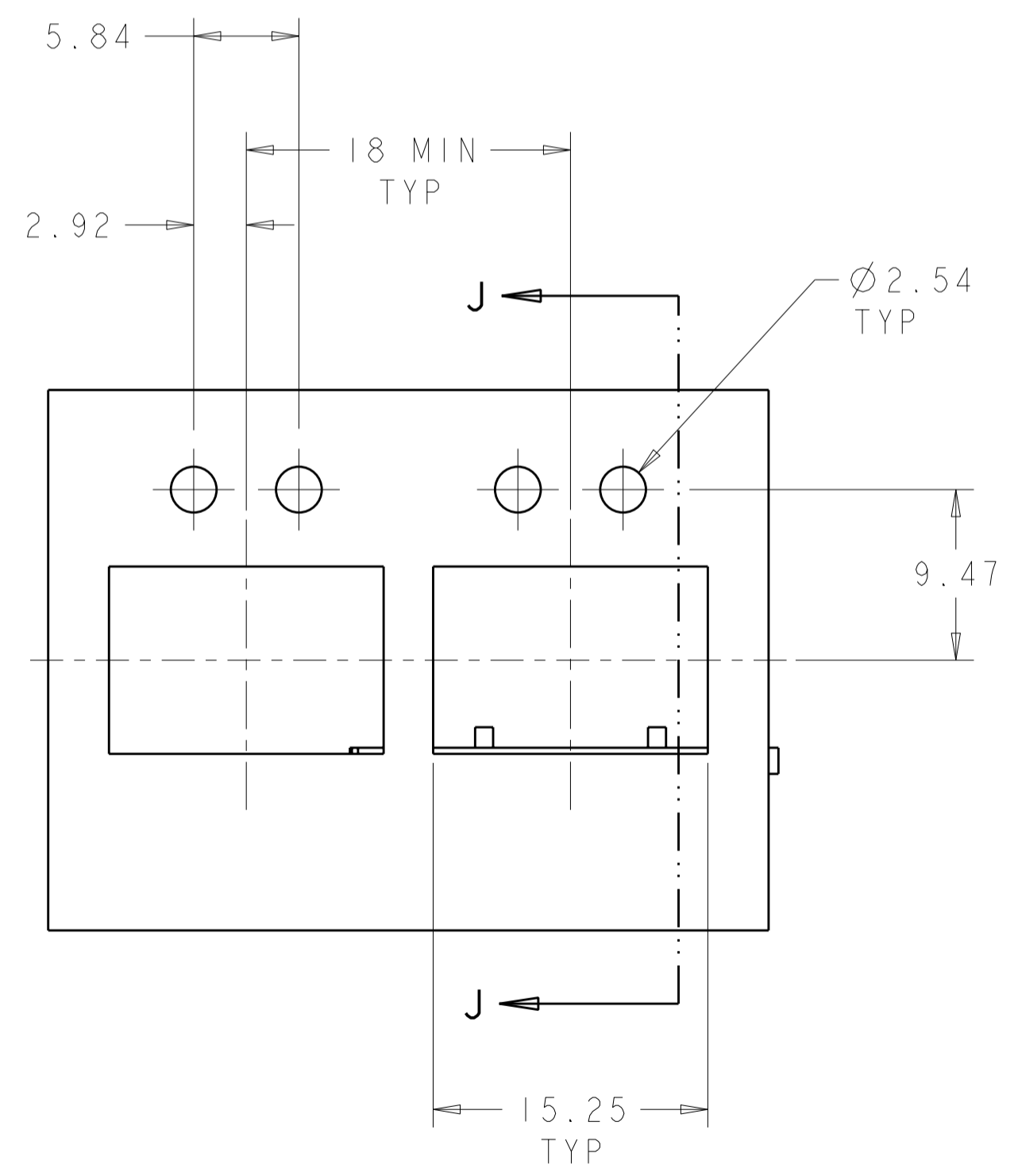
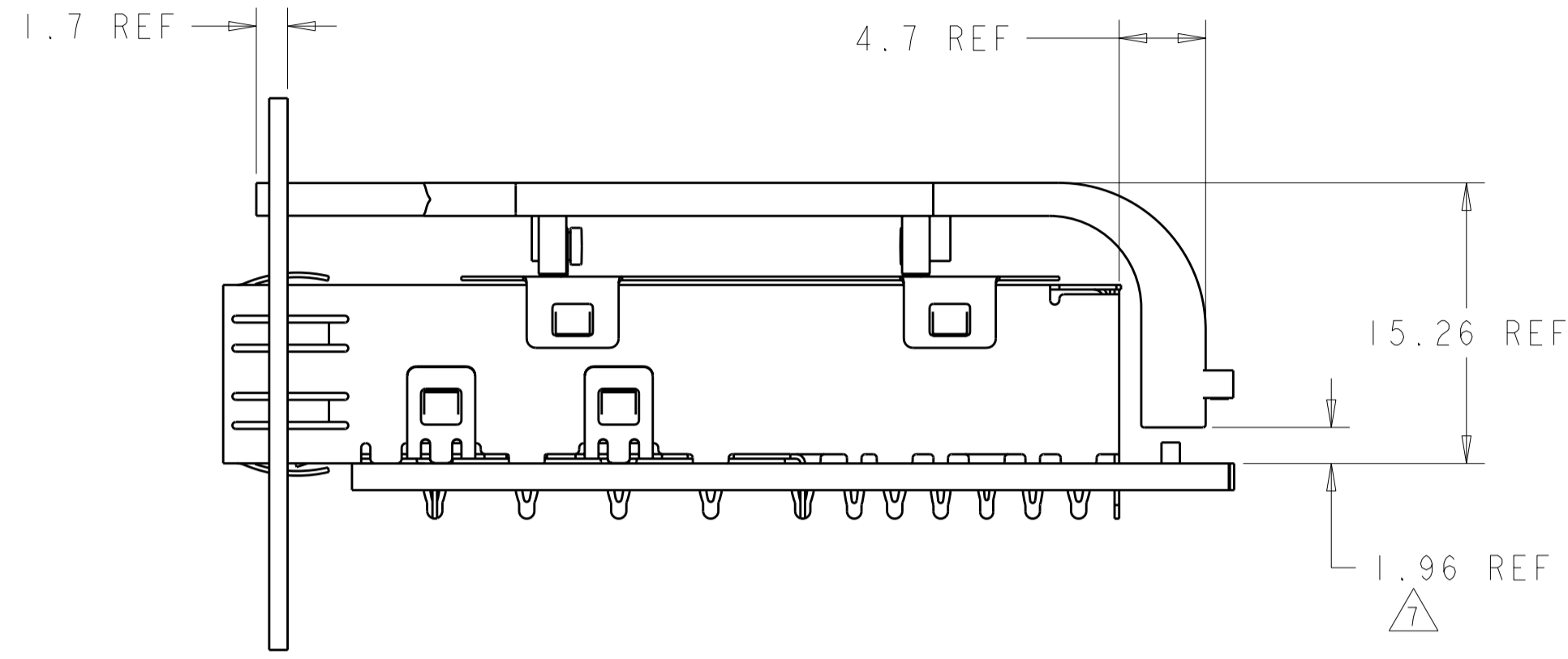
DETAIL A
SCALE 8:1

RECOMMENDED PC BOARD LAYOUT
SCALE 4:1

<small>THIS DRAWING IS A CONTROLLED DOCUMENT FOR TYCO ELECTRONICS CORPORATION. IT IS SUBJECT TO CHANGE AND THE CONTROLLING ENGINEERING ORGANIZATION SHOULD BE CONTACTED FOR THE LATEST REVISION.</small>		DWN C. VALENTINE 15 JAN 2007 CHK E. BRIGHT 15 JAN 2007 APVD E. BRIGHT 15 JAN 2007	Tyco Electronics Tyco Electronics Harrisburg, PA 17105-3608
DIMENSIONS: mm 	TOLERANCES UNLESS OTHERWISE SPECIFIED: 0 PLC ±0.1 1 PLC ±0.1 2 PLC ±0.1 3 PLC ±0.05 4 PLC ±0.05 ANGLES ± FINISH	PRODUCT SPEC 108-1950 APPLICATION SPEC 114-13120 WEIGHT - CUSTOMER DRAWING	NAME CAGE ASSEMBLY 20 PRESS FIT , SFP SIZE A200779 CAGE CODE C-1367629 DRAWING NO - RESTRICTED TO - SCALE 1:1 SHEET 3 OF 4 REV A

THIS DRAWING IS UNPUBLISHED. RELEASED FOR PUBLICATION 20
 © COPYRIGHT 20 BY TYCO ELECTRONICS CORPORATION. ALL RIGHTS RESERVED.

LOC	DIST	REVISIONS			
P	LTR	DESCRIPTION	DATE	DWN	APVD
GP	00	SEE SHEET 1			



DETAIL B
SCALE 8:1

SECTION J-J

<small>THIS DRAWING IS A CONTROLLED DOCUMENT FOR TYCO ELECTRONICS CORPORATION. IT IS SUBJECT TO CHANGE AND THE CONTROLLING ENGINEERING ORGANIZATION SHOULD BE CONTACTED FOR THE LATEST REVISION.</small>		DWN: 15 JAN 2007 C. VALENTINE CHK: 15 JAN 2007 E. BRIGHT APVD: 15 JAN 2007 E. BRIGHT	Tyco Electronics Tyco Electronics Harrisburg, PA 17105-3608
DIMENSIONS: mm 	TOLERANCES UNLESS OTHERWISE SPECIFIED: 0 PLC ±0.1 1 PLC ±0.1 2 PLC ±0.1 3 PLC ±0.05 4 PLC ±0.05 ANGLES ± FINISH	PRODUCT SPEC: 108-1950 APPLICATION SPEC: 114-13120 WEIGHT: - CUSTOMER DRAWING	NAME: CAGE ASSEMBLY 20 PRESS FIT, SFP SIZE: A200779 CAGE CODE: C-1367629 DRAWING NO: 114-13120 RESTRICTED TO: - SCALE: 1:1 SHEET 4 OF 4 REV A