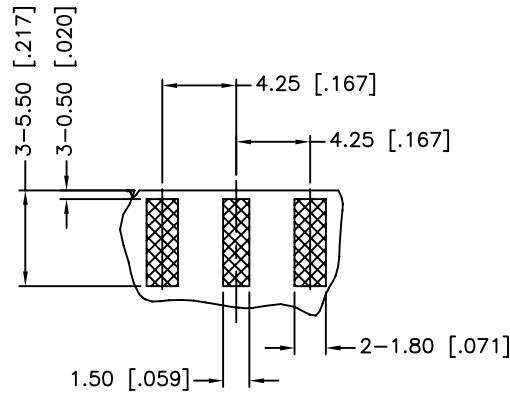
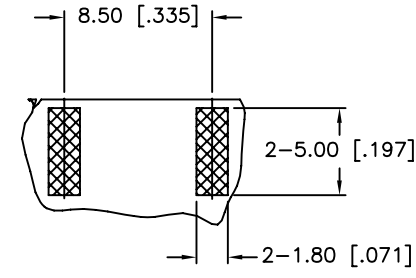


REV.	DATE	ECR NO.	DESCRIPTION
NC	03/25/10	XXXXXX	INITIAL RELEASE
A	04/06/10	2033	PCB LAYOUT DIMENSIONS CHANGED

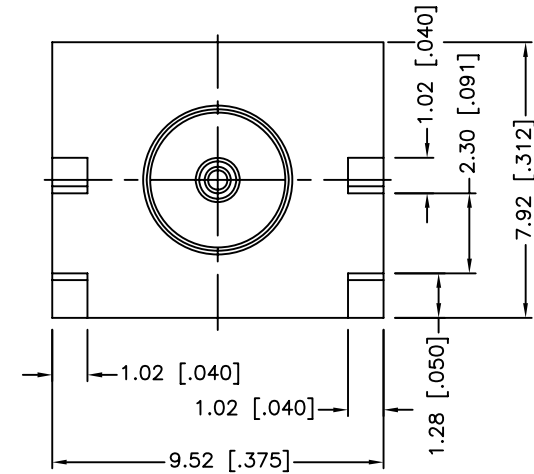
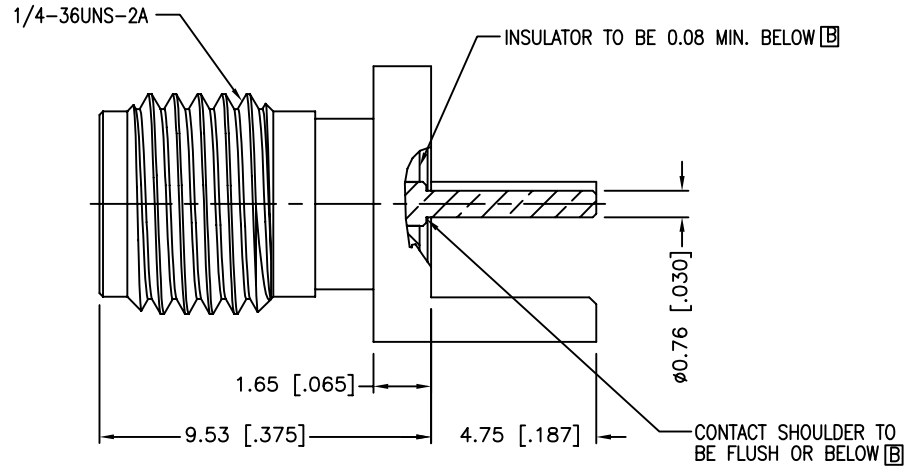


TOP VIEW

RECOMMENDED PCB LAY OUT



BOTTOM VIEW



7				1
6				1
5				1
4				1
3	CONTACT PIN	BERYLLIUM COPPER	GOLD	1
2	INSULATOR	PTFE	NATURAL	1
1	BODY	BRASS	GOLD	1
	DESCRIPTION	MATERIAL	FINISH	QTY

UNLESS OTHERWISE SPECIFIED DIMENSIONS ARE IN MILLIMETERS. DIMENSIONS IN [] ARE IN INCHES AND FOR CUSTOMER REFERENCE ONLY.

UNLESS OTHERWISE SPECIFIED TOLERANCES FOR MILLIMETERS ARE:
0.5 - 8mm ± 0.20mm
8 - 30mm ± 0.40mm
30 - 120mm ± 0.50mm

UNLESS OTHERWISE SPECIFIED TOLERANCES FOR INCHES ARE:
.020 - .315 ± 0.007"
.315 - 1.180 ± 0.015"
1.180 - 4.724 ± 0.020"

DO NOT SCALE DRAWING

APPROVALS	DATE
DRAWN C.WANG	04/06/10
CHECKED	
ISSUED	
SHEET 1 OF 1	
CAD FILE	C:/CONNEX/132255-11.DWG

Amphenol Connex

PART DESCRIPTION	SMA END LAUNCH RECEPT. JACK (FOR .085" THICK PCB)		
PART NO.	132255-11		
DWG. NO.	132255-11.DWG	REV.	A
SIZE	A	SCALE	NA