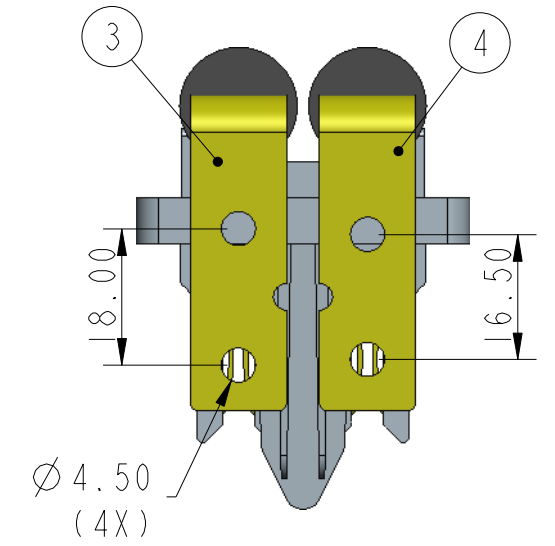
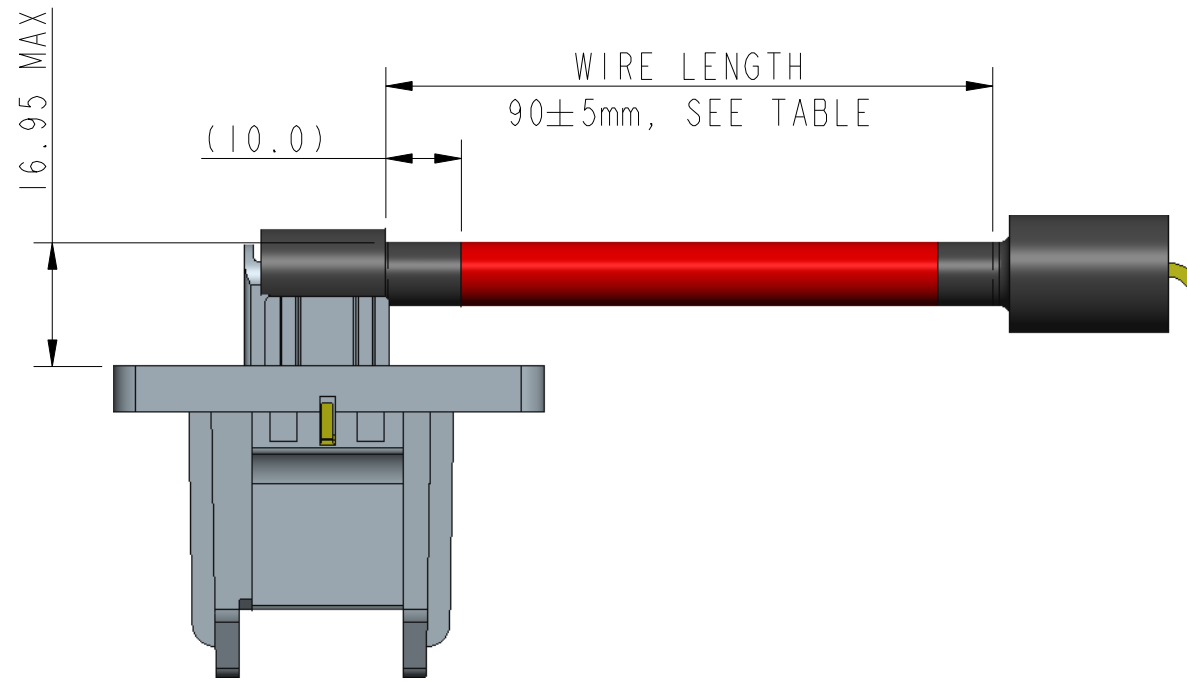
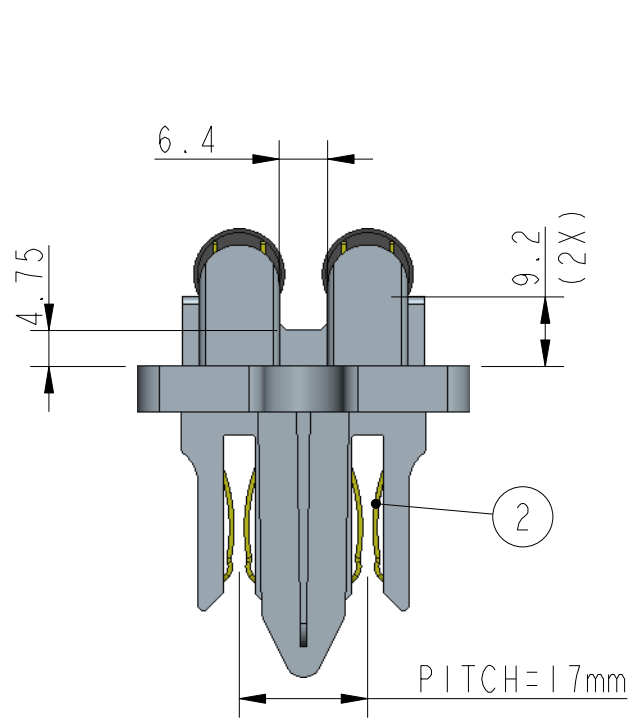
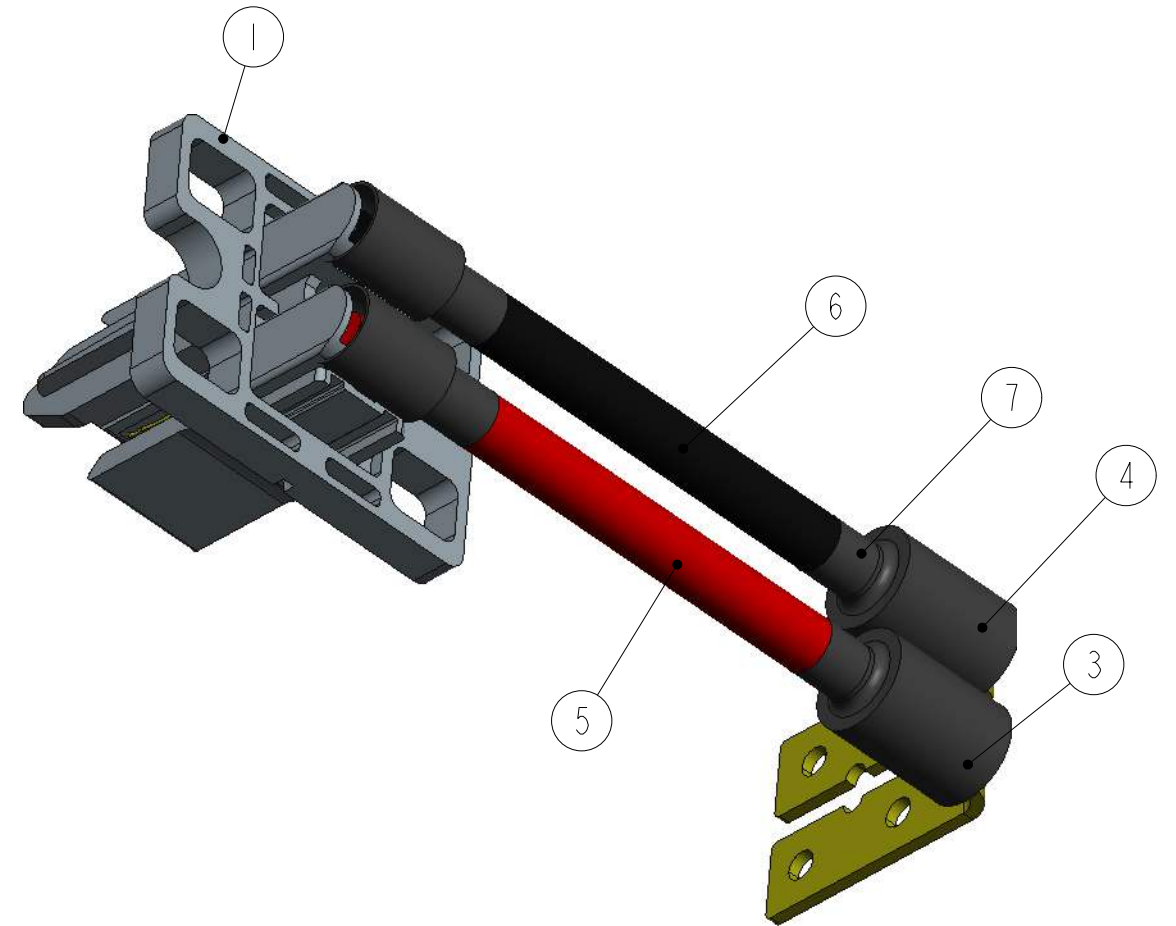


PART NUMBER  
10124234-060003LF



ITEM NO.	DESCRIPTION	Q'TY
1	HOUSING, THERMOPLASTIC RESIN, UL94V-0	1
2	MATING CONTACT, HIGH CONDUCTIVITY COPPER ALLOY, TIN PLATED.	2
3	FLAT CONTACT, THROUGH HOLE PITCH=18.00mm HIGH CONDUCTIVITY COPPER ALLOY TIN PLATED	1
4	FLAT CONTACT, THROUGH HOLE PITCH=16.50mm HIGH CONDUCTIVITY COPPER ALLOY TIN PLATED	1
5	FLEXIBLE POWER WIRE, 6 AWG, UL RECONGIZED, 105°C, 600V RED INSULATION COLOR, LEGTH=90mm (INSULATION ONLY)	1
6	FLEXIBLE POWER WIRE, 6 AWG, UL RECONGIZED, 105°C, 600V BLACK INSULATION COLOR, LEGTH=90mm (INSULATION ONLY)	1
7	THERMAL SHRINKAGE TUBING, COLOR BLACK, 0.5mm THICKNESS. LENGTH 25mm MIN.	4

NOTES:  
 (1) ELECTRICAL RATING: 600V, 60A  
 (2) WORKING TEMPERATURE: -20-75°C  
 (3) REFERENCE DOCUMENTS:  
 PRODUCT SPECIFICATION: FCI-GS-12-1127  
 PACKAGEING SPECIFICATION: FCI-GS-14-2295  
 (4) RoHS COMPLIANT.



spec ref	dr Beer Fu	2013-02-01	projection	MM	size A3	scale 1:1		
tolerance std	eng Beer Fu	2013-02-01			ecn no	rel level RELEASED		
TOLERANCES UNLESS OTHERWISE SPECIFIED							product family	-
surface <input checked="" type="checkbox"/>	linear	0.X	±0.30		POWER CABLE	dwg no 10124234-060003LF	rev A	
		0.XX	±0.15					
		0.XXX	±0.05					
	angular	0°	±5°	www.fci.com	cat. no.	-	CUSTOMER	sheet 1 of 1



Copyright FCI.