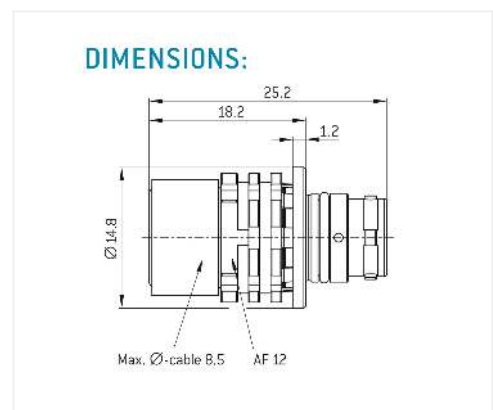
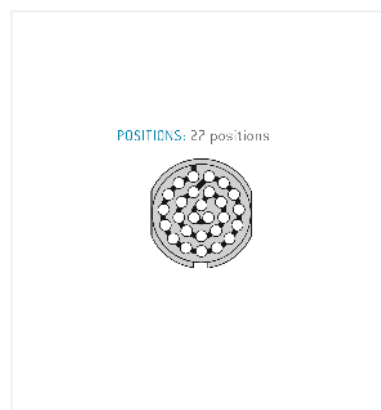
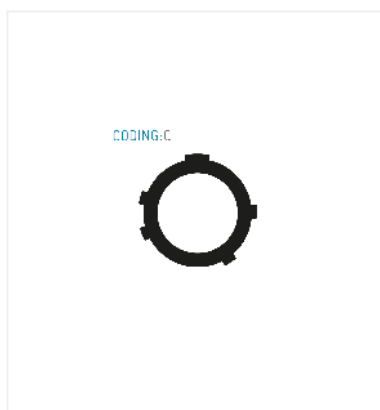


General information

| | |
|-------------------|---------------------|
| Part number | A11WCM-P27XBC0-0000 |
| Termination | solder |
| Size | 1 |
| Locking principle | break |
| Coding | c_key_amc |
| Cable Diameter | cable_amchd_1 |
| Cable outlet | overmolding |



Contact insert description

| | |
|--------------------|---------|
| Number of contacts | 27 |
| Contact type | pins |
| Contact diameter | 03mm |
| Insulator material | peek |
| Wire cross section | 28_awg |
| Termination | solder |
| Data transmission | hdmi_13 |

reverse_gender_on_request

Technical information

| | | |
|--------------------------------|-----------|---------------|
| Nominal current single contact | 01_a | iec_60512_5_2 |
| Test voltage | 075_kv_dc | eia_364_20f |

safety_text

Mechanical and environmental data

| | |
|-----------------------|--------------|
| Degree of protection* | ipsk8_ip6k9k |
|-----------------------|--------------|

| | |
|-----------------------|----------|
| Operating temperature | 51_125_c |
|-----------------------|----------|

| | |
|---------------|------|
| Mating cycles | 5000 |
|---------------|------|

mated

Material and surface treatments

| | |
|---------|-----------|
| Housing | ruthenium |
|---------|-----------|

| | |
|---------|---------------|
| Contact | cu_alloy_gold |
|---------|---------------|

data_text

safety_text_2

data_text

ul_text

illustrative_text