

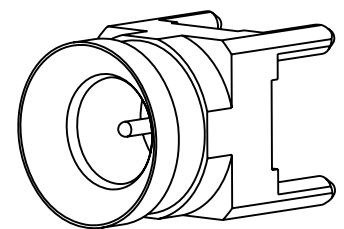
NOTES:

1. MATERIAL AND FINISHES:  
 BODY & CONTACT PIN - BRASS, GOLD PLATING  
 INSULATOR - LCP, NATURAL
2. ELECTRICAL:  
 A. IMPEDANCE: 50 OHM  
 B. FREQUENCY RANGE: DC - 6 GHz  
 C. RETURN LOSS (VSWR): 25dB (1.12) @ DC - 3 GHz  
 18dB (1.29) @ 3 - 6 GHz  
 D. CONTACT RESISTANCE: CENTER CONTACT 5 mΩ MAX.  
 OUTER CONTACT 5 mΩ MAX.  
 E. INSERTION LOSS: 0.1 dB @ DC - 3GHz  
 F. INSULATION RESISTANCE: 5000 MΩ MIN.  
 G. DIELECTRIC WITHSTANDING VOLTAGE: 1000 VRMS, MIN.  
 H. POWER HANDLING: 40 W @ 2.6 GHz AT 95°C  
 120 W @ 2.5 GHz AT 95°C

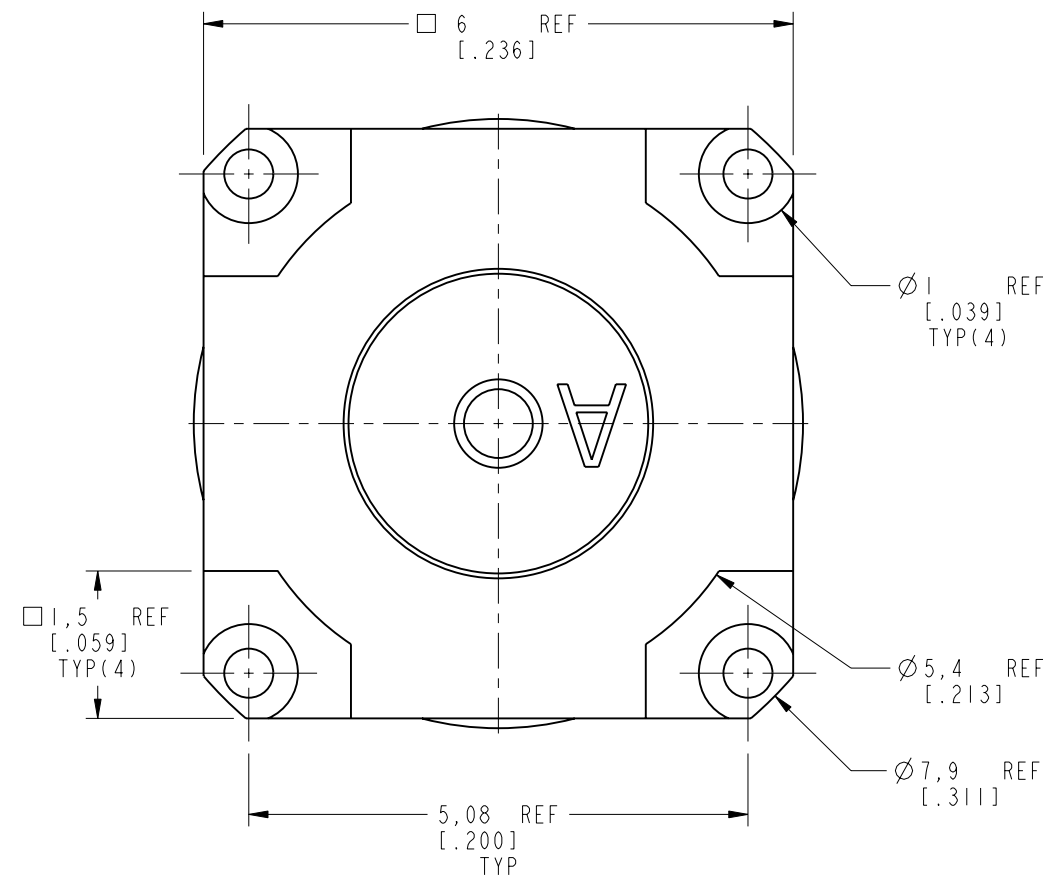
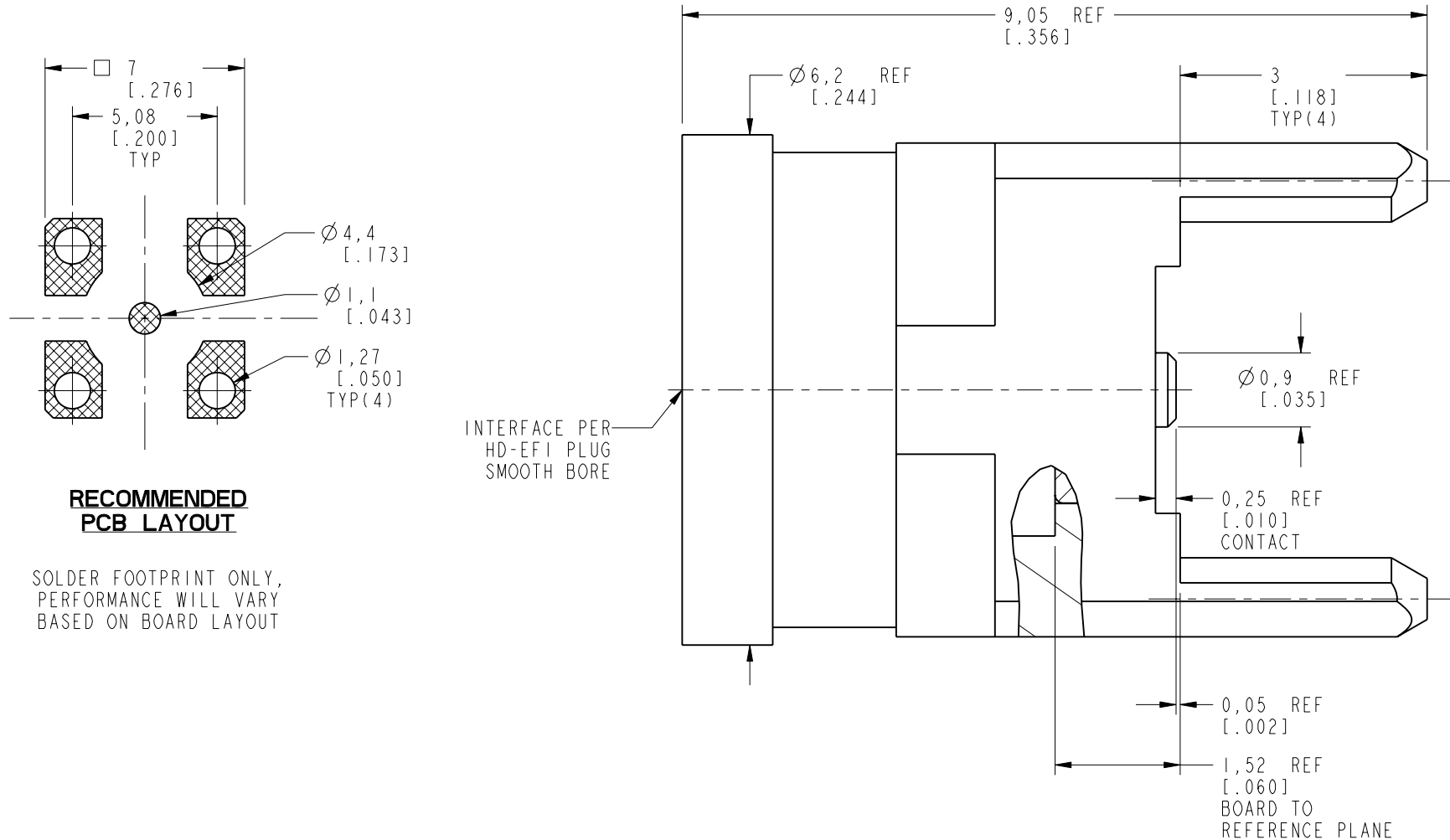
3. MECHANICAL:  
 A. MATING CYCLES: 200 MIN.  
 B. TEMPERATURE RANGE: -45°C TO +125°C
4. PACKAGING:  
 A. PACKAGE IN 50 PIECES TRAYS  
 B. MARK TRAY: "AMPHENOL RF, 920-503J-53P, DATE CODE"

THIRD ANGLE PROJ.

REV		DESCRIPTION	DATE	ECO	APPR
A		RELEASE TO MFG	29-May-18	08168	BMG



SCALE 4.000



**CUSTOMER OUTLINE DRAWING**  
 ALL OTHER SHEETS ARE FOR INTERNAL USE ONLY

<p>UNLESS OTHERWISE SPECIFIED, DIMENSIONS ARE IN METRIC AND TOLERANCES ARE:                  &lt;0.5mm ±0.05mm    0.5 - 6mm ±0.1mm    6 - 30mm ±0.2mm    30 - 120mm ±0.3mm    ANGLES ±1°</p> <p>NOTICE - These drawings, specifications, or other data (1) are, and remain the property of Amphenol corp. (2) must be returned upon request; and (3) are confidential and not to be disclosed to any person other than those to whom they are given by Amphenol Corp. the furnishing of these drawings, specifications, or other data by Amphenol Corp., or to any other person to anyone for any purpose is not to be regarded by implication or otherwise in any manner licensing, granting rights to permitting such holder or any other person to manufacture, use or sell any product, process or design, patented or otherwise, that may in any way be related to or disclosed by said drawings, specifications, or other data.</p>	MATERIAL	DRAWN	DATE	TITLE		Amphenol RF www.amphenolrf.com	
	SEE NOTES	W. ZENG	3-Jul-18				
	REFERENCE	APPROVED	DATE	HD-EFI STR PLUG SMOOTH BORE THROUGH HOLE		DRAWING NO. 920-503J-53P ITEM NO. 920-503J-53P PART NO. 920-503J-53P	
	7563 AND 615X-3345-X00	S. HSIEH	9-Jul-18				
CONFIGURATION LEVEL: In Work	CAD FILE	DWG SIZE	REV				
FINISH		B	A				