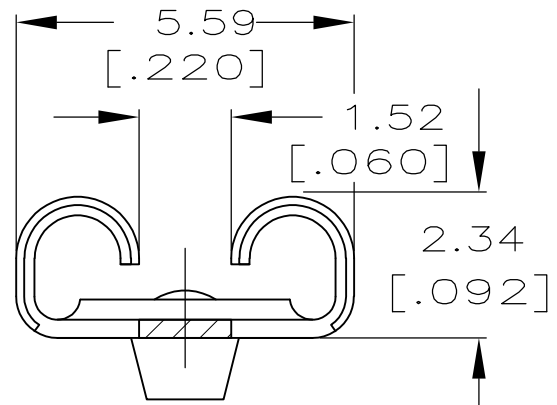
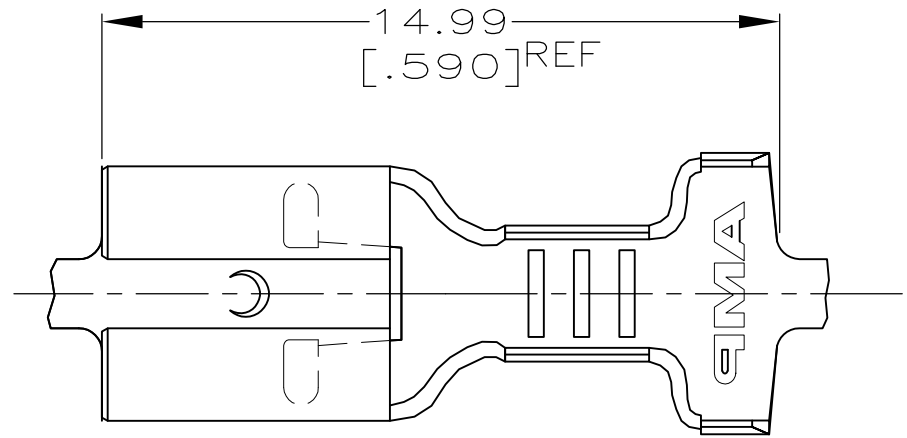
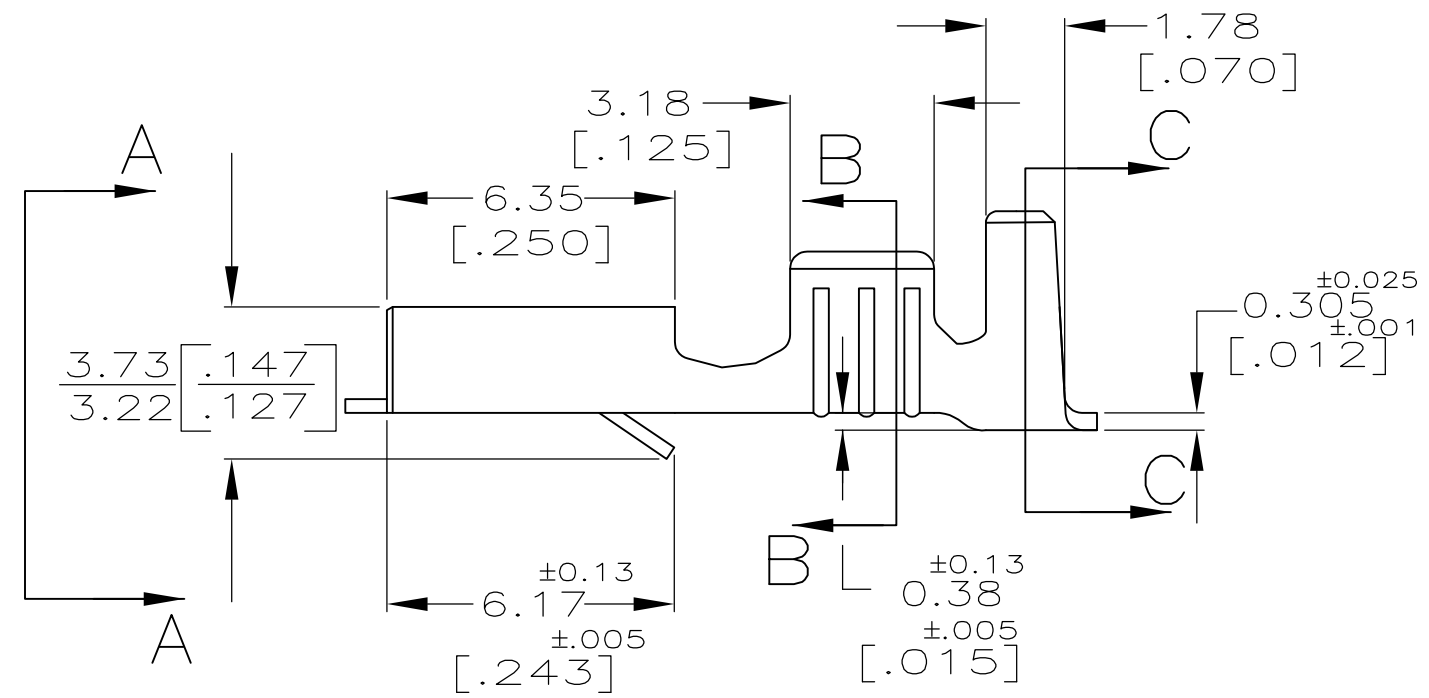


THIS DRAWING IS UNPUBLISHED. RELEASED FOR PUBLICATION  
 © COPYRIGHT - By - ALL RIGHTS RESERVED.

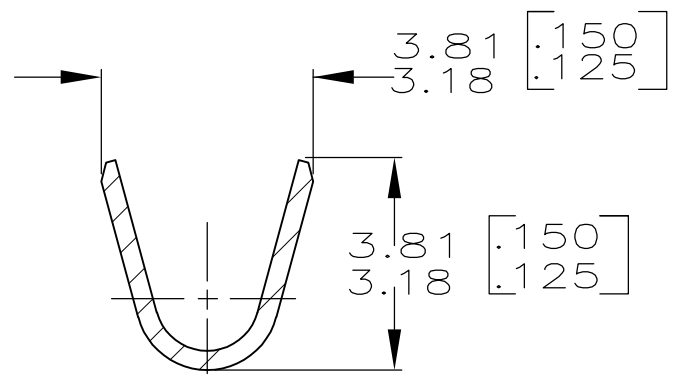
LOC	DIST	REVISIONS					
AF	50	P	LTR	DESCRIPTION	DATE	DWN	APVD
		E		REVISED PER ECR-13-005733	26AUG2013	KH	PD



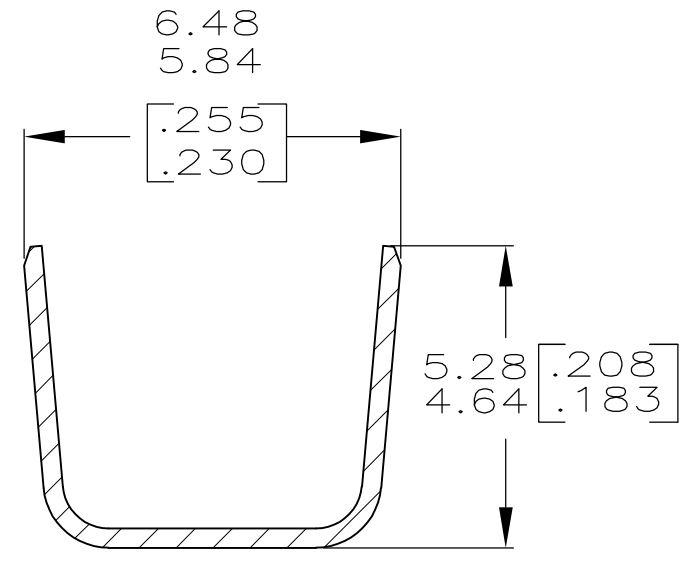
1 CONTINUOUS STRIP ON REELS



VIEW A-A  
SCALE 8:1



SECTION B-B  
SCALE 8:1



SECTION C-C  
SCALE 8:1

3.30-4.83 OR (2)2.79 MAX [.130-.190 OR (2).110 MAX]	[#18-#14] AWG OR (2) #18'S	0.813±0.025 [.032±.001]	63833-1
INSUL RANGE	WIRE SIZE	MATING TAB THICKNESS	PART NO

THIS DRAWING IS A CONTROLLED DOCUMENT.		DWN JR RUTH 3/3/95	TE Connectivity	
DIMENSIONS: mm [INCHES]		CHK MS FEHER 3/3/95		
TOLERANCES UNLESS OTHERWISE SPECIFIED:		APVD J GILLESPIE 3/3/95	NAME RECEPTACLE, FASTON-FASTON™4.75 [.187] SERIES	
0 PLC ± - 1 PLC ± - 2 PLC ± - 3 PLC ± 0.25 [.010] 4 PLC ± - ANGLES ± -		PRODUCT SPEC -	APPLICATION SPEC 114-2065	
MATERIAL BRASS		FINISH -	WEIGHT -	RESTRICTED TO -
CUSTOMER DRAWING			SIZE A3	CAGE CODE 00779
			DRAWING NO C-63833	SCALE 6:1
			SHEET 1 OF 1	REV E