

4

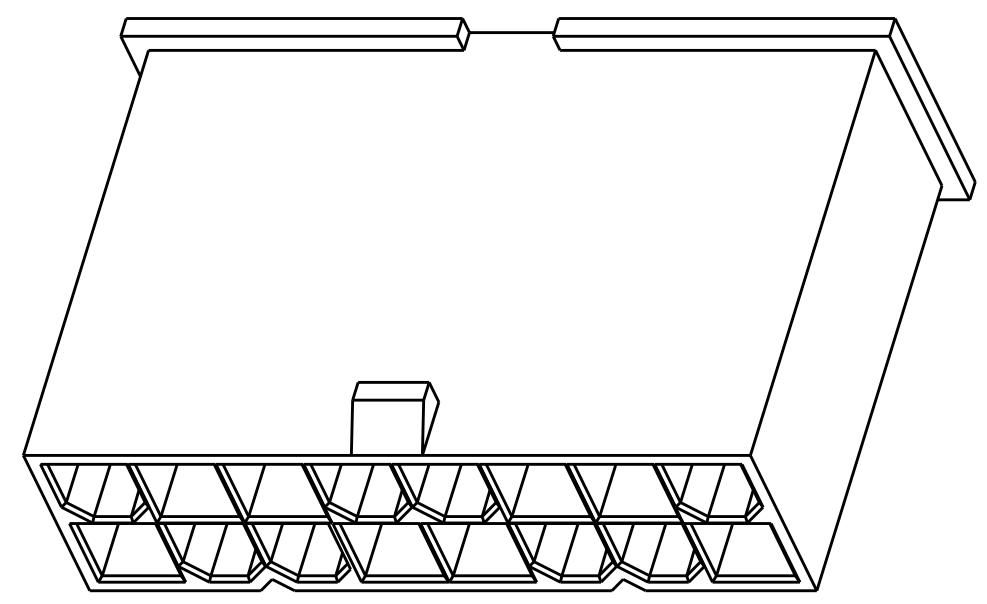
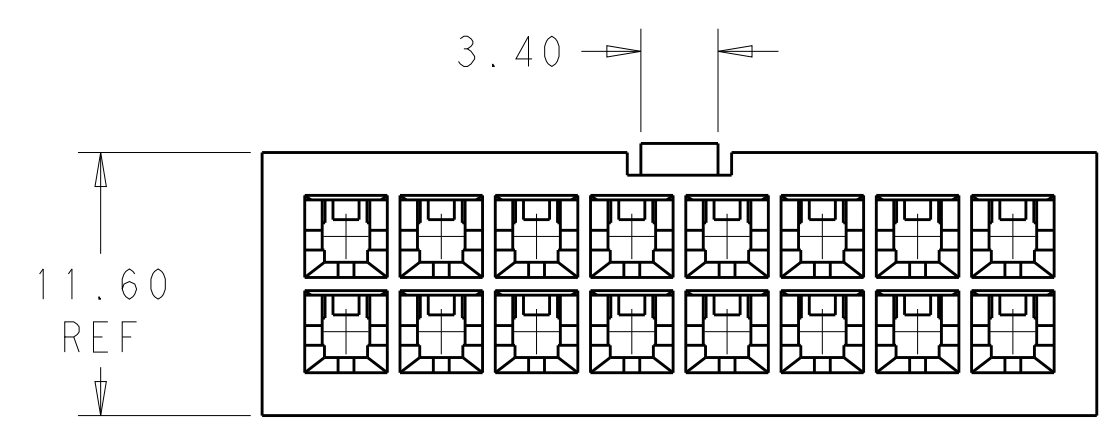
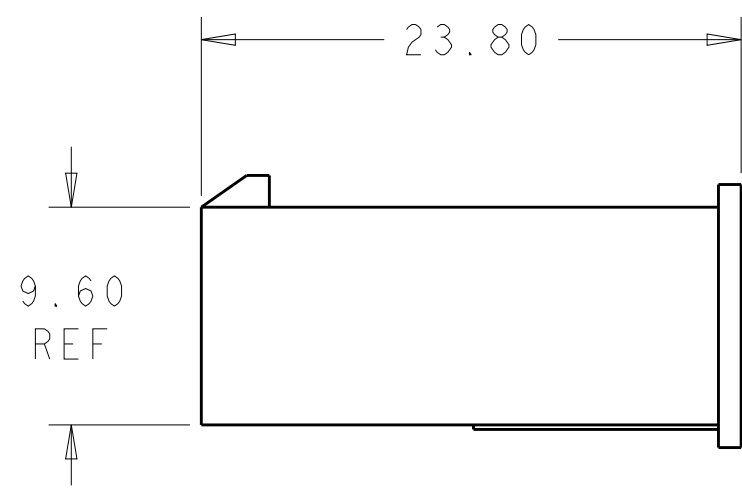
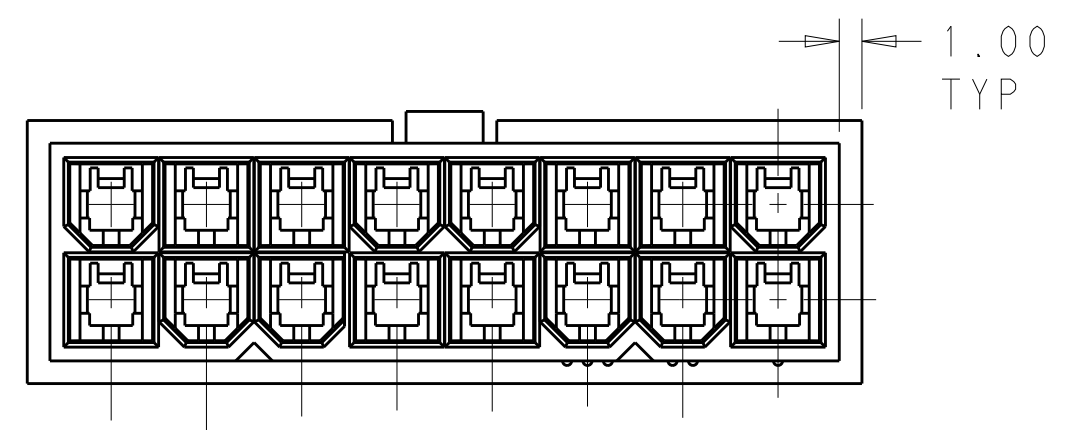
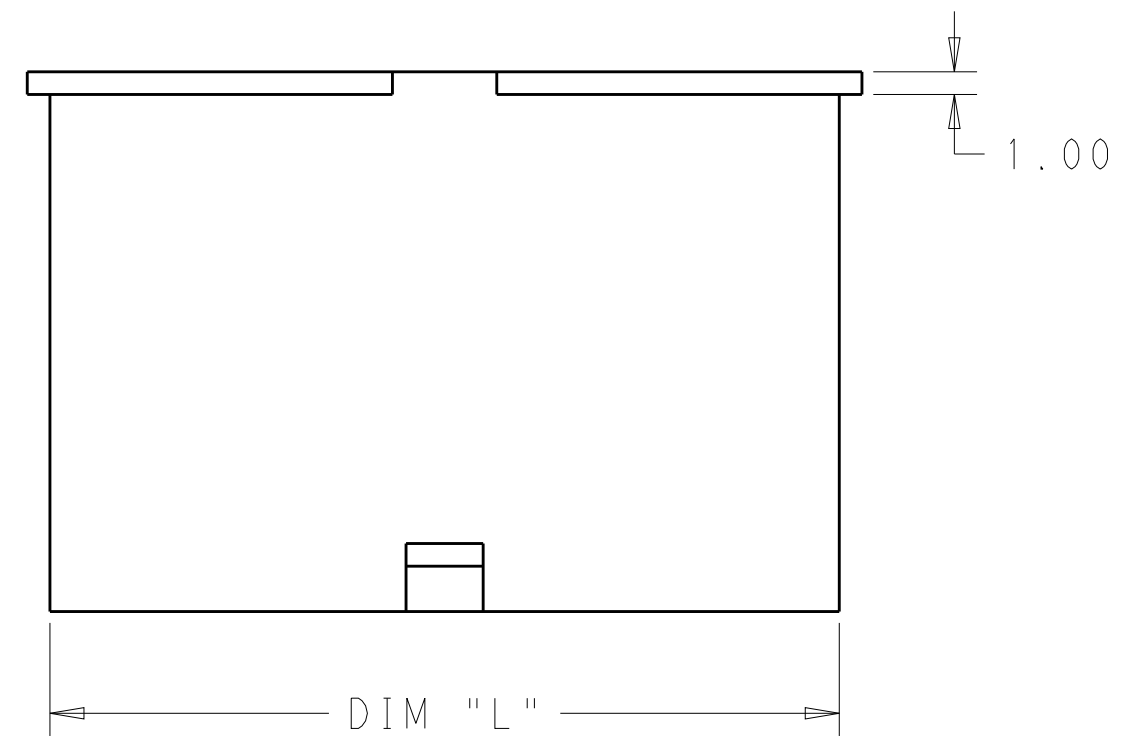
3

2

1

THIS DRAWING IS UNPUBLISHED. RELEASED FOR PUBLICATION 20  
 © COPYRIGHT 20 BY - ALL RIGHTS RESERVED.

| LOC | DIST | REVISIONS   |                           |           |       |
|-----|------|-------------|---------------------------|-----------|-------|
| P   | LTR  | DESCRIPTION | DATE                      | DWN       | APVD  |
| AF  | -    | A           | REVISED PER ECR-13-018775 | 11DEC2013 | KH KR |
|     |      |             |                           |           |       |
|     |      |             |                           |           |       |



|       |            |             |
|-------|------------|-------------|
| 51.60 | 24         | 2-1969598-4 |
| 47.40 | 22         | 2-1969598-2 |
| 43.20 | 20         | 2-1969598-0 |
| 39.00 | 18         | 1-1969598-8 |
| 34.80 | 16         | 1-1969598-6 |
| 30.60 | 14         | 1-1969598-4 |
| 26.40 | 12         | 1-1969598-2 |
| 22.20 | 10         | 1-1969598-0 |
| 18.00 | 8          | 1969598-8   |
| 13.80 | 6          | 1969598-6   |
| 9.60  | 4          | 1969598-4   |
| 5.40  | 2          | 1969598-2   |
| DIM L | NO. OF POS | PART NO.    |

|   |  |                  |               |                  |                     |                        |   |
|---|--|------------------|---------------|------------------|---------------------|------------------------|---|
| THIS DRAWING IS A CONTROLLED DOCUMENT.                              |  | DWN              | JR RUTH       | 12DEC2012        | <br>TE Connectivity |                        |   |
| DIMENSIONS:   |  | CHK              | KURT RANDOLPH | 12DEC2012        |                     |                        |   |
| TOLERANCES UNLESS OTHERWISE SPECIFIED:                              |  | APVD             | KURT RANDOLPH | 12DEC2012        |                     |                        |   |
| mm  |  | PRODUCT SPEC     |               |                  |                     |                        |   |
| 0 PLC ±<br>1 PLC ±<br>2 PLC ±0.25<br>3 PLC ±<br>4 PLC ±<br>ANGLES ± |  | APPLICATION SPEC |               |                  | NAME                | PLUG HOUSING VAL-U-LOK |   |
| MATERIAL  |  | WEIGHT           |               |                  | SIZE                | A200779                |   |
| NYLON 6/6, V2   |  | FINISH           | COLOR-NATURAL | Customer Drawing | CAGE CODE           | C-1969598              |   |
|   |  | SCALE            | 3:1           | SHEET            | 1                   | OF                     | 1 |
|   |  | REV              | A             |                  |                     |                        |   |