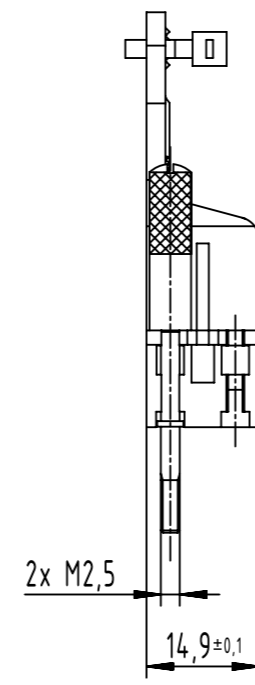
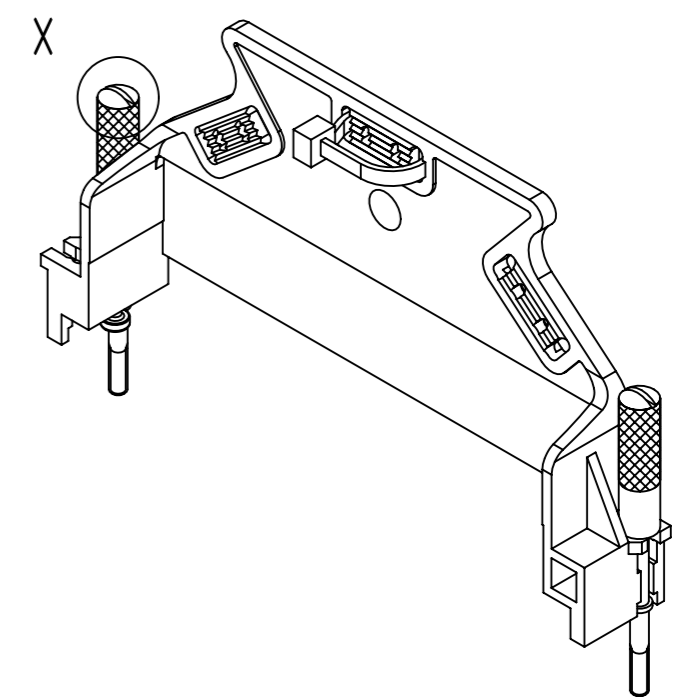
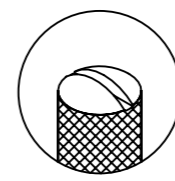


X (2:1)



| content open hood |        |                              | spare parts    |
|-------------------|--------|------------------------------|----------------|
| pos.              | number | description                  | part no.       |
| 01                | 1      | open hood G                  | 09 06 000 9959 |
| 02                | 2      | locking screw with slot M2.5 | 09 06 000 9958 |
| 03                | 2      | self-tapping screw M2.2x8-T6 | 09 06 001 9979 |
| 04                | 1      | cable tie                    |                |

| parts not assembled   |  |  |  |  |
|---|--|--|--|--|
| All rights reserved<br>Department EL PD<br>HARTING<br>D-32339 Espelkamp |  | Scale 1:1<br>Created by STORCK<br>Title DIN Power open hood G - locking screw with slot<br>Type TB | Free size tol.<br>Inspected by LEHNERT<br>Standardisation SAP_WFRT<br>Number 09060009957 | Ref.<br>Sub.<br>Date 2022-01-25<br>State Final Release<br>Doc-Key / ECM-Nr.<br>100180542/UGD/004/B<br>500000209861<br>Rev. B<br>Page 1/1 |