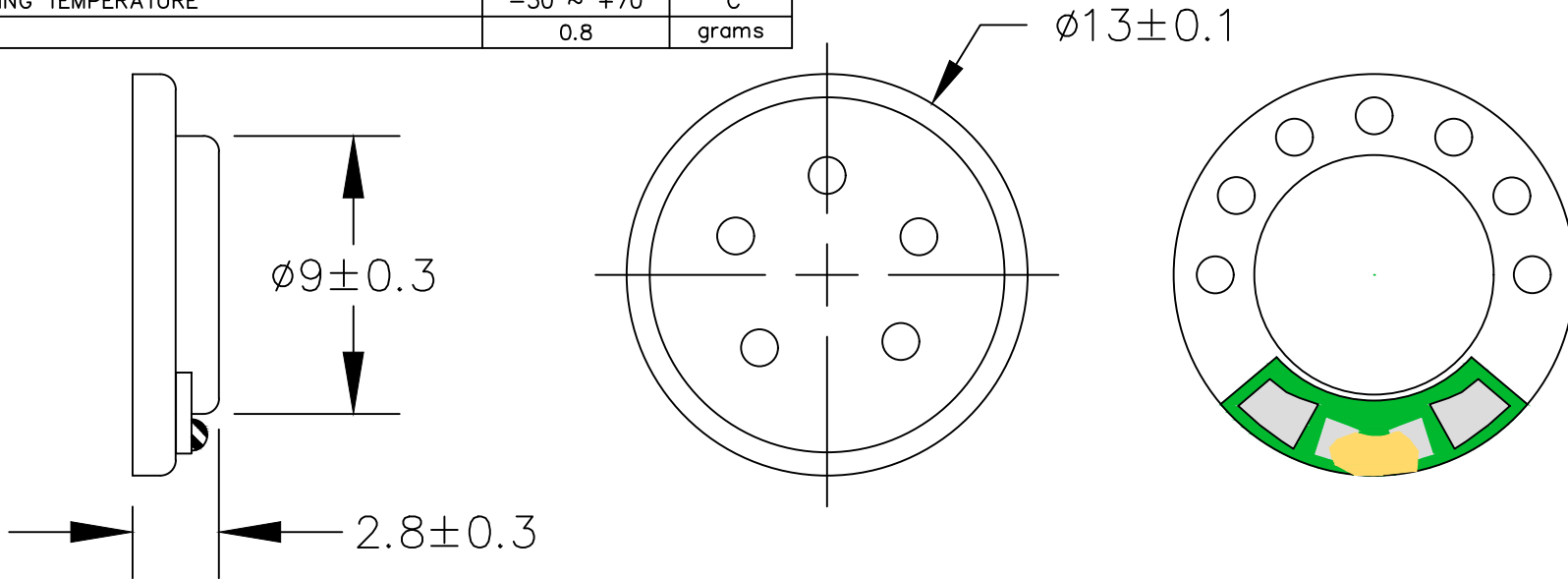


THIS DOCUMENT CONTAINS DATA PROPRIETARY TO PROJECTS UNLIMITED, INC. ANY USE OR REPRODUCTION, IN ANY FORM, WITHOUT PRIOR WRITTEN PERMISSION OF PROJECTS UNLIMITED, INC. IS PROHIBITED.
© 2005, Projects Unlimited Inc.

SPECIFICATIONS


PARAMETERS	VALUES	UNITS
RATED INPUT POWER	0.2	W
MAX INPUT POWER	0.3	W
IMPEDANCE	16±15%	OHM
OUTPUT SPL @ 0.1W/0.1M (AT 0.8, 1.0, 1.2, 1.5 kHz)	85±3	dB
DISTORTION (MAX.)	5%	-
RESONANT FREQUENCY	1100±20%	Hz
FREQUENCY RANGE	F _o ~ 5,000	Hz
HOUSING MATERIAL	METAL	-
CONE MATERIAL	MYLAR	-
MAGNET MATERIAL	NdFeB	-
OPERATING TEMPERATURE	-30 ~ +70	°C
WEIGHT	0.8	grams

REVISIONS			
LTR	DESCRIPTION	DATE	APPROVED
-	RELEASED FROM ENGINEERING	7/30/15	



NOTES:

1. ALL DIMENSIONS ARE IN MILLIMETERS.
2. SPECIFICATION SUBJECT TO CHANGE OR WITHDRAWAL WITHOUT NOTICE.
3. THIS PART IS RoHS 2011/65/EU COMPLIANT.

<small>UNLESS OTHERWISE SPECIFIED: ALL PURCHASES ARE SUBJECT TO THE PUI AUDIO TERMS AND CONDITIONS SALE FOUND AT http://www.puiaudio.com/pdf/terms_conditions.pdf (paper copy available upon request). DIMENSIONS ARE IN MILLIMETERS. TOLERANCES ARE ±0.5 AND ANGLES ARE ±3°.</small>		 <p>pui audio inc a projects unlimited company</p>	<p>3541 Stop Eight Road Dayton, Ohio 45414</p>								
<table border="1"> <thead> <tr> <th>APPROVALS</th> <th>DATE</th> </tr> </thead> <tbody> <tr> <td>DRAWN <i>M.L.</i></td> <td>7/15</td> </tr> <tr> <td>CHECKED <i>M.L.</i></td> <td>7/15</td> </tr> <tr> <td>APPROVED <i>B.R.</i></td> <td>7/15</td> </tr> </tbody> </table>				APPROVALS	DATE	DRAWN <i>M.L.</i>	7/15	CHECKED <i>M.L.</i>	7/15	APPROVED <i>B.R.</i>	7/15
APPROVALS	DATE										
DRAWN <i>M.L.</i>	7/15										
CHECKED <i>M.L.</i>	7/15										
APPROVED <i>B.R.</i>	7/15										
<p>BASE SPEAKER: AS01308MR-2-R</p> <p>FILE NAME AS01316MR-R.DWG</p>		<p>SIZE A</p>	<p>DRAWING NO. AS01316MR-R</p>								
		<p>SCALE: N.T.S.</p>	<p>SHEET 1 OF 1</p>								