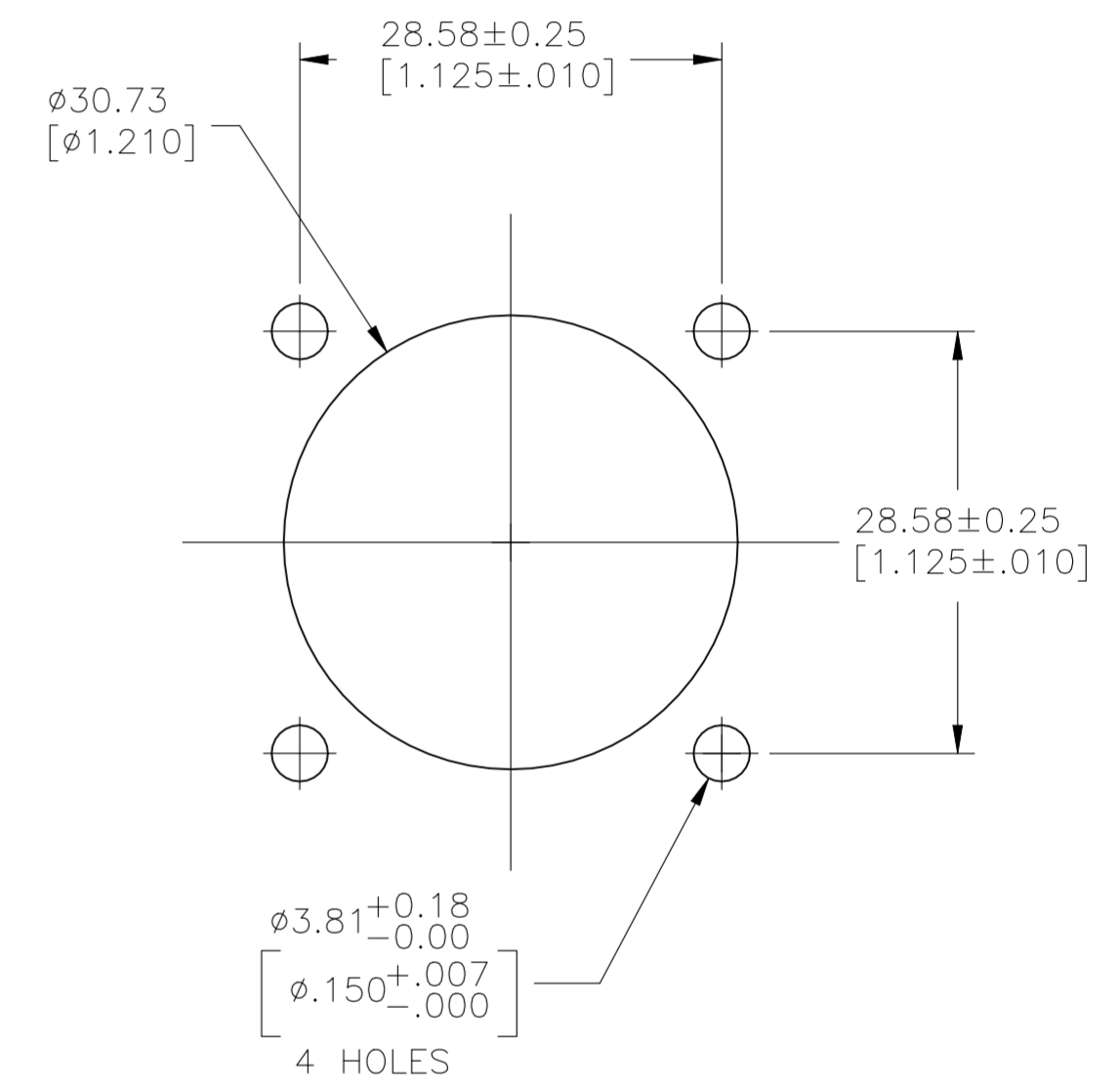
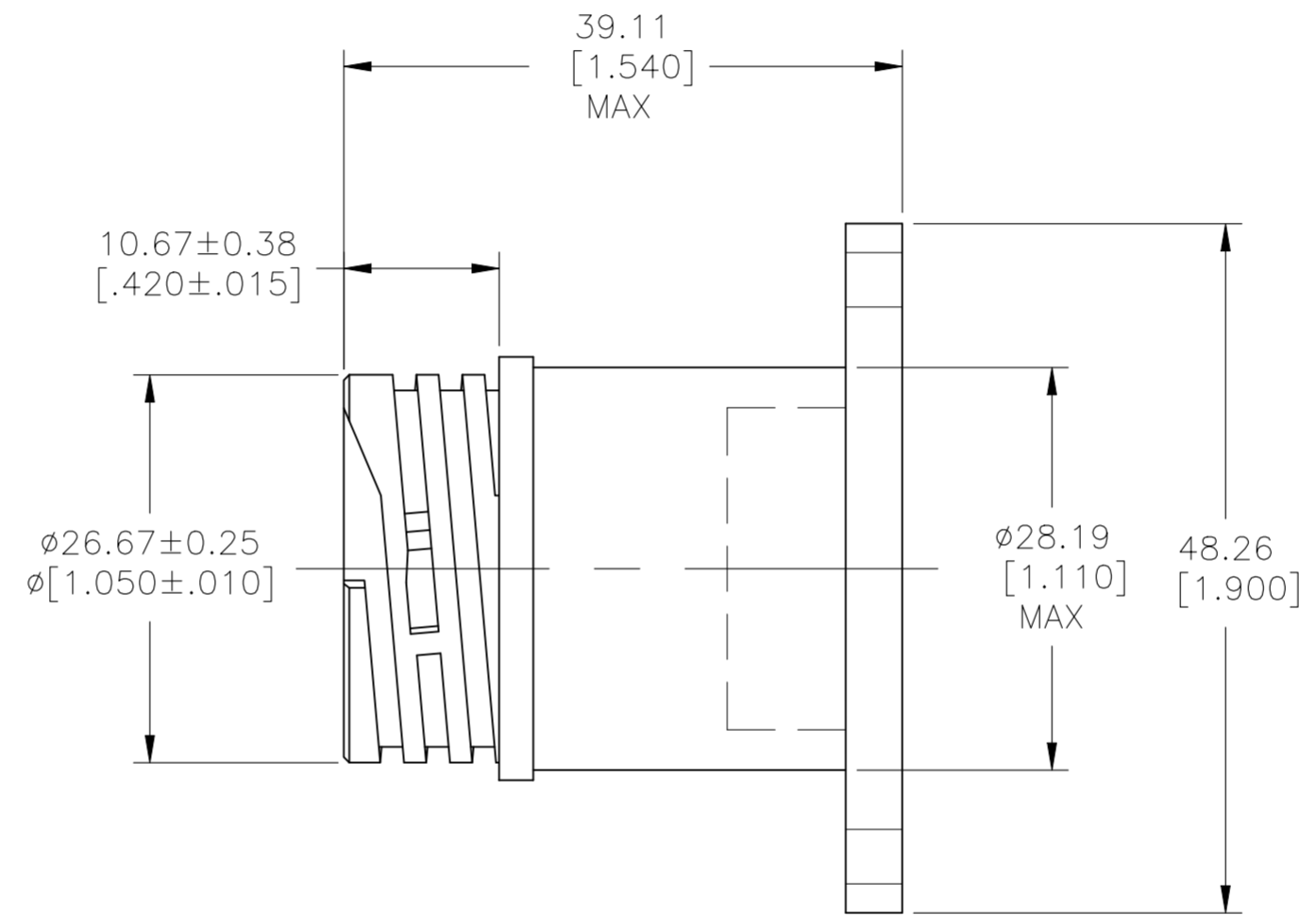
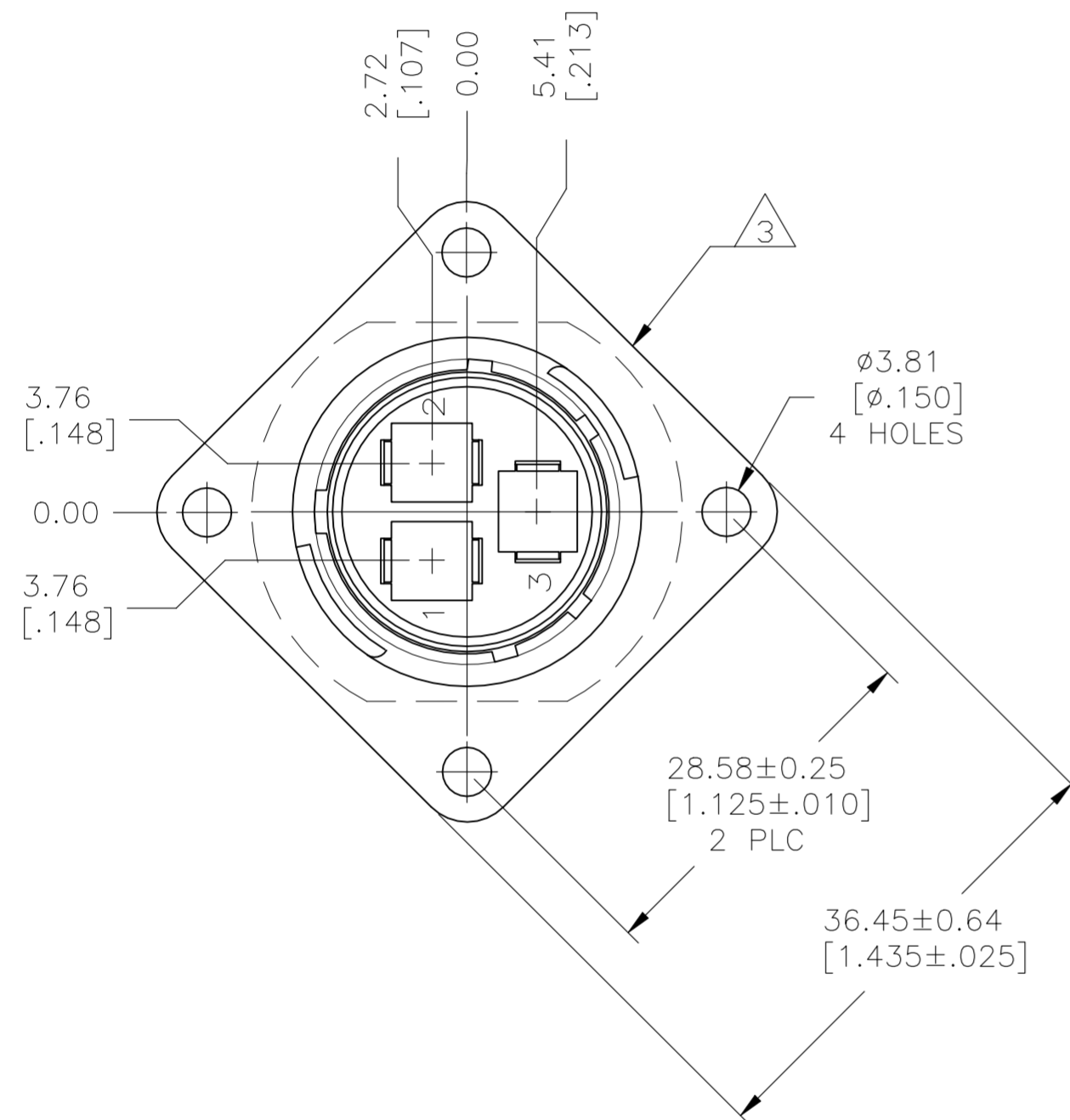


REVISIONS					
P	LTR	DESCRIPTION	DATE	DWN	APVD
B		REVISED PER ECO-21-005577	06MAY2021	RK	MZ

- 1 CAVITY IDENTIFICATION ON FRONT AND REAR FACE.
- 2 WILL ACCEPT THREE (3) TYPE XII PIN CONTACTS.
- △ TE LOGO AND PART NUMBER LOCATED ON ANY FLANGE EDGE



1986519-1
PART NO

THIS DRAWING IS A CONTROLLED DOCUMENT.		DWN RAGHAVENDRA 12FEB09																				
DIMENSIONS: mm [INCHES]		CHK SARVER MICHAEL 12FEB09																				
TOLERANCES UNLESS OTHERWISE SPECIFIED:		APVD SARVER MICHAEL 12FEB09	NAME EXTENDED CPC RECEPTACLE ASSY SIZE 17-3																			
<table border="1"> <tr><td>0 PLC</td><td>±</td><td>-</td></tr> <tr><td>1 PLC</td><td>±</td><td>-</td></tr> <tr><td>2 PLC</td><td>±</td><td>0.13 [.005]</td></tr> <tr><td>3 PLC</td><td>±</td><td>-</td></tr> <tr><td>4 PLC</td><td>±</td><td>-</td></tr> <tr><td>ANGLES</td><td>±</td><td>-</td></tr> </table>		0 PLC	±	-	1 PLC	±	-	2 PLC	±	0.13 [.005]	3 PLC	±	-	4 PLC	±	-	ANGLES	±	-	PRODUCT SPEC -	SIZE A2	CAGE CODE 00779
0 PLC	±	-																				
1 PLC	±	-																				
2 PLC	±	0.13 [.005]																				
3 PLC	±	-																				
4 PLC	±	-																				
ANGLES	±	-																				
MATERIAL NYLON, BLACK	FINISH -	WEIGHT -	SCALE 2:1	DRAWING NO C=1986519																		
CUSTOMER DRAWING			SHEET 1 of 1	RESTRICTED TO -																		