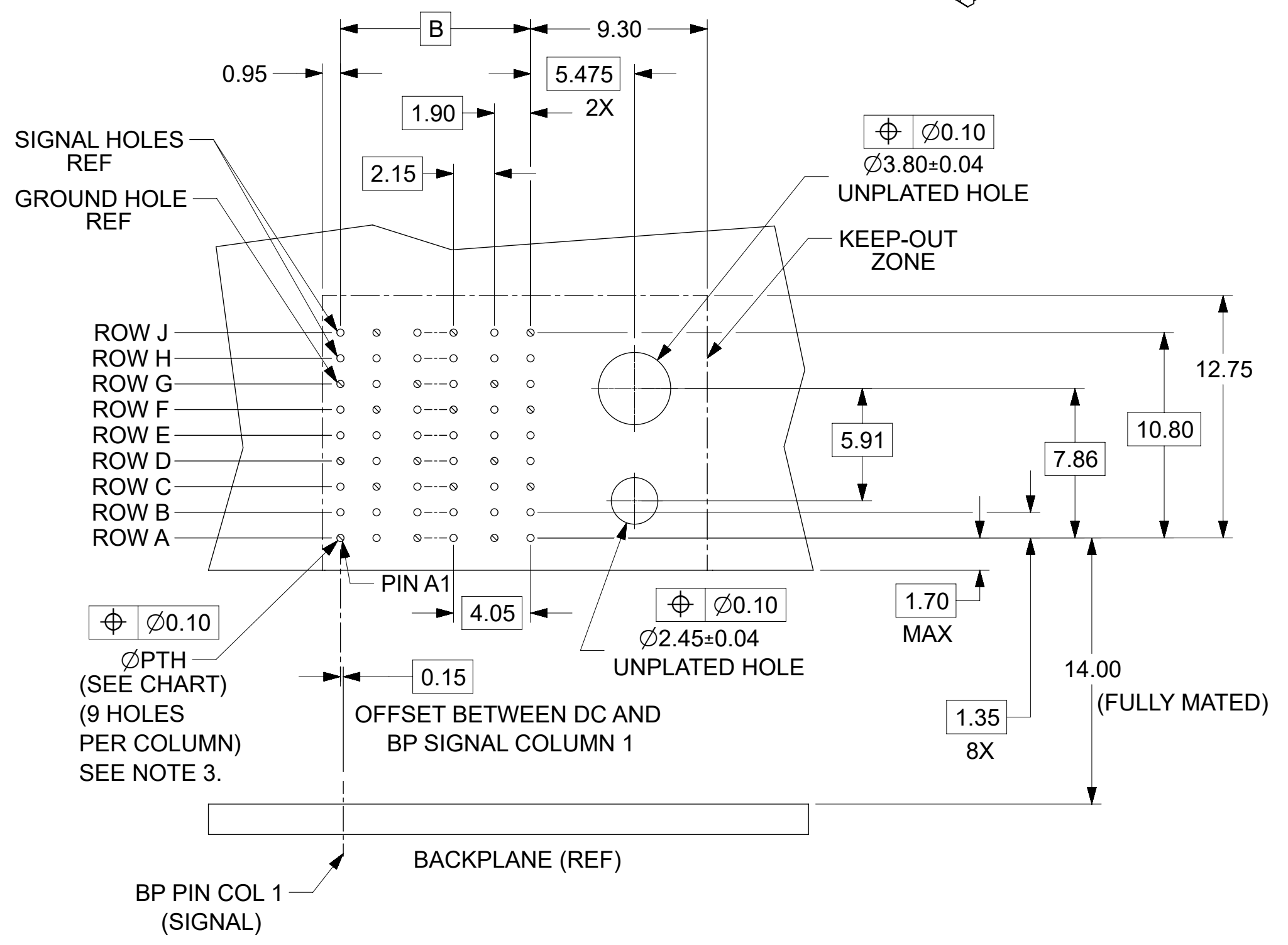
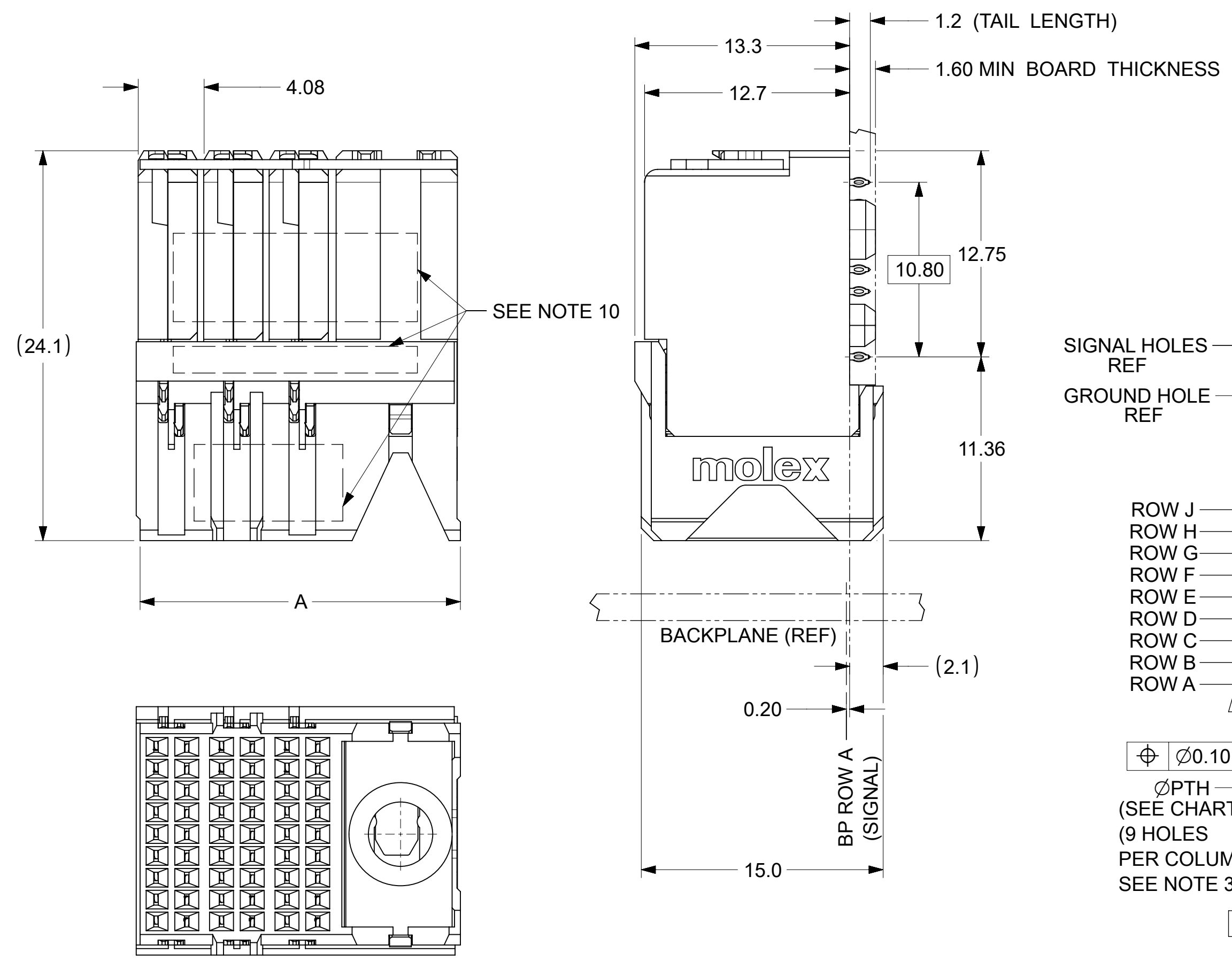
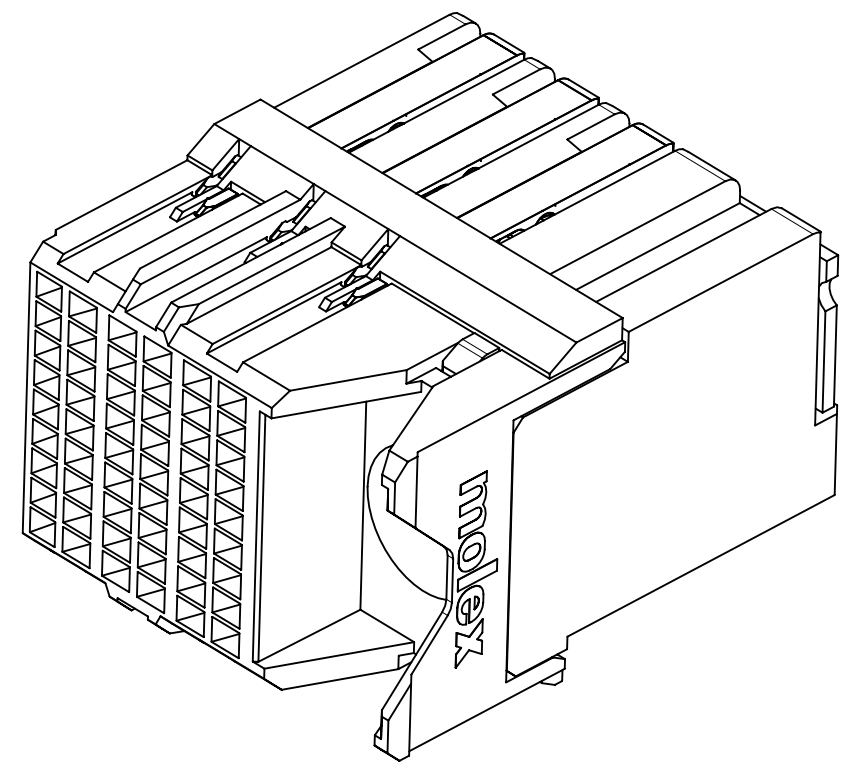


MATERIAL NUMBER	# OF COLUMNS	# OF DIFF PAIR	DIM "A" MAX	DIM "B"	PTH ϕ
76860-5006	6	18	20.25	10.00	0.46 \pm 0.05
76860-5036	6	18	20.25	10.00	0.39 \pm 0.05
76860-5008	8	24	24.30	14.05	0.46 \pm 0.05
76860-5038	8	24	24.30	14.05	0.39 \pm 0.05

76860-*0**

MODULE & TAIL PLATING TYPE
5 = RIGHT GUIDED, LEAD-FREE

OF COLUMNS
06 = 6 COL 0.46 PTH
36 = 6 COL 0.39 PTH
08 = 8 COL 0.46 PTH
38 = 8 COL 0.39 PTH



- NOTES:
1. MATERIALS: HOUSING - LIQUID CRYSTAL POLYMER (LCP), GLASS-FILLED, UL94V-0
TERMINALS - HIGH PERFORMANCE COPPER ALLOY
 2. FINISH: 30 μ IN MIN GOLD IN CONTACT AREA. SELECTIVE TIN ON PCB TAILS. NICKEL OVERALL.
 3. REFER TO MOLEX PRODUCT SPEC PS-76060-999 FOR PERFORMANCE SPECIFICATIONS AND ADDITIONAL PCB INFORMATION.
 4. EACH SIGNAL WAFER CONTAINS 2 COLUMNS OF TERMINALS.
 5. PRODUCT IS PACKAGED PER PK-70873-591.
 6. THIS PART CONFORMS TO CLASS B REQUIREMENTS OF COSMETIC SPEC PS-45499-002.
 7. REFER TO MOLEX SALES DRAWING SD-76855-003 FOR THE MATING HEADERS.
 8. WHEN USING MOLEX SUPPLIED #2-32 SCREW 73726-4000 (4.31mm \pm 0.38 THREADABLE SCREW LENGTH), THE MAXIMUM BOARD THICKNESS IS 2.4mm.
 9. REFER TO MOLEX ROUTING GUIDE AS-76850-990 FOR ADDITIONAL PCB LAYOUT AND ROUTING RECOMMENDATIONS.
 10. MARKING: LOCATED APPROXIMATELY AS SHOWN. PART NUMBER AND DATE CODE.

DAUGHTERCARD HOLE PATTERN
(CONNECTOR SIDE)

THIS DRAWING CONTAINS INFORMATION THAT IS PROPRIETARY TO MOLEX ELECTRONIC TECHNOLOGIES, LLC AND SHOULD NOT BE USED WITHOUT WRITTEN PERMISSION

DIMENSION UNITS	SCALE	CURRENT REV DESC: REMASTERED TO NX	molex		
mm	NTS				
GENERAL TOLERANCES (UNLESS SPECIFIED)			IMPACT DAUGHTERCARD 3 PAIR ORTHOGONAL GUIDE RIGHT SALES DWG		
ANGULAR TOL	$\pm 0.5^\circ$	EC NO: 705090	PRODUCT CUSTOMER DRAWING		
4 PLACES	\pm	DRWN: YOGEEB 2021/12/03	DOCUMENT NUMBER		
3 PLACES	\pm	CHK'D: DYARAS 2022/01/31	DOC TYPE		
2 PLACES	± 0.15	APPR: LZENG 2022/05/13	DOC PART		
1 PLACE	± 0.25	INITIAL REVISION:	REVISION		
0 PLACES	\pm	DRWN: JLAURX 2010/01/11	SD-76860-004		
		APPR: JBINGHAM 2010/01/14	PSD 001 B4		
DRAFT WHERE APPLICABLE MUST REMAIN WITHIN DIMENSIONS	THIRD ANGLE PROJECTION	DRAWING	MATERIAL NUMBER	CUSTOMER	SHEET NUMBER
		C-SIZE	SEE TABLE	GENERAL MARKET	1 OF 1
		SERIES			
		76860			