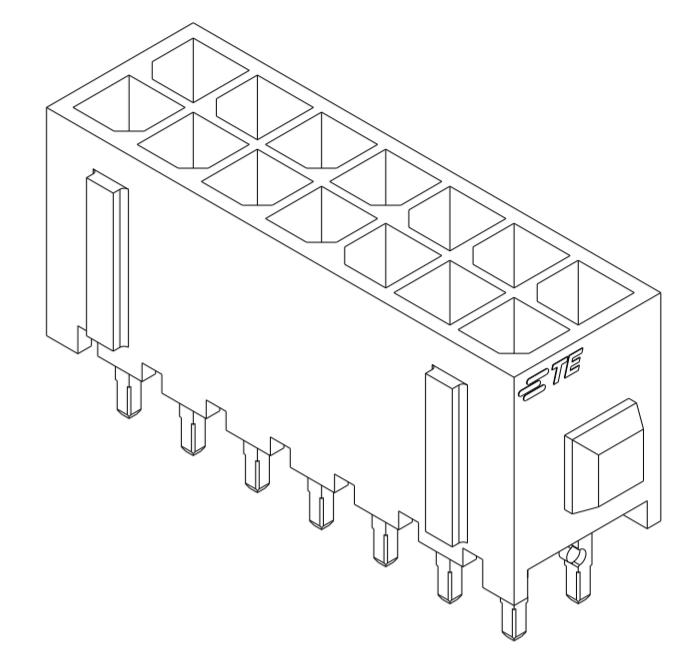
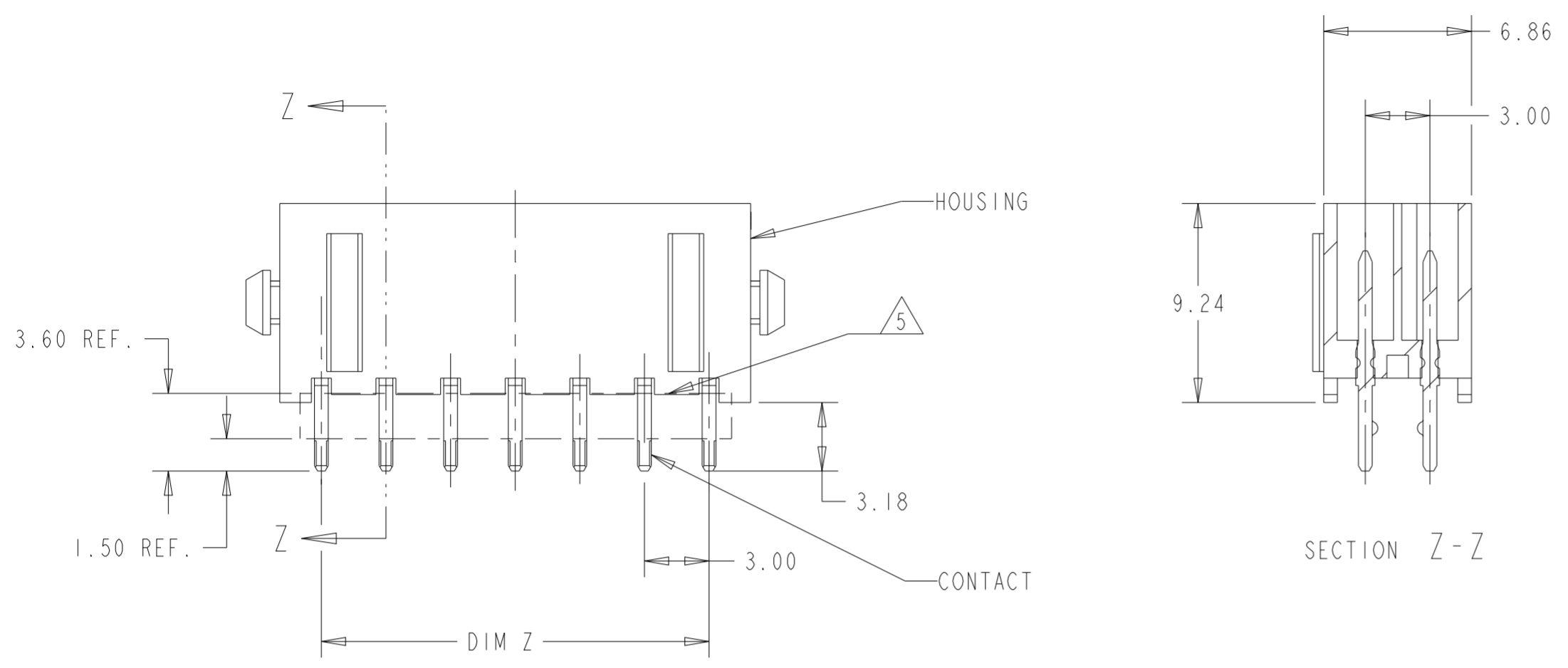
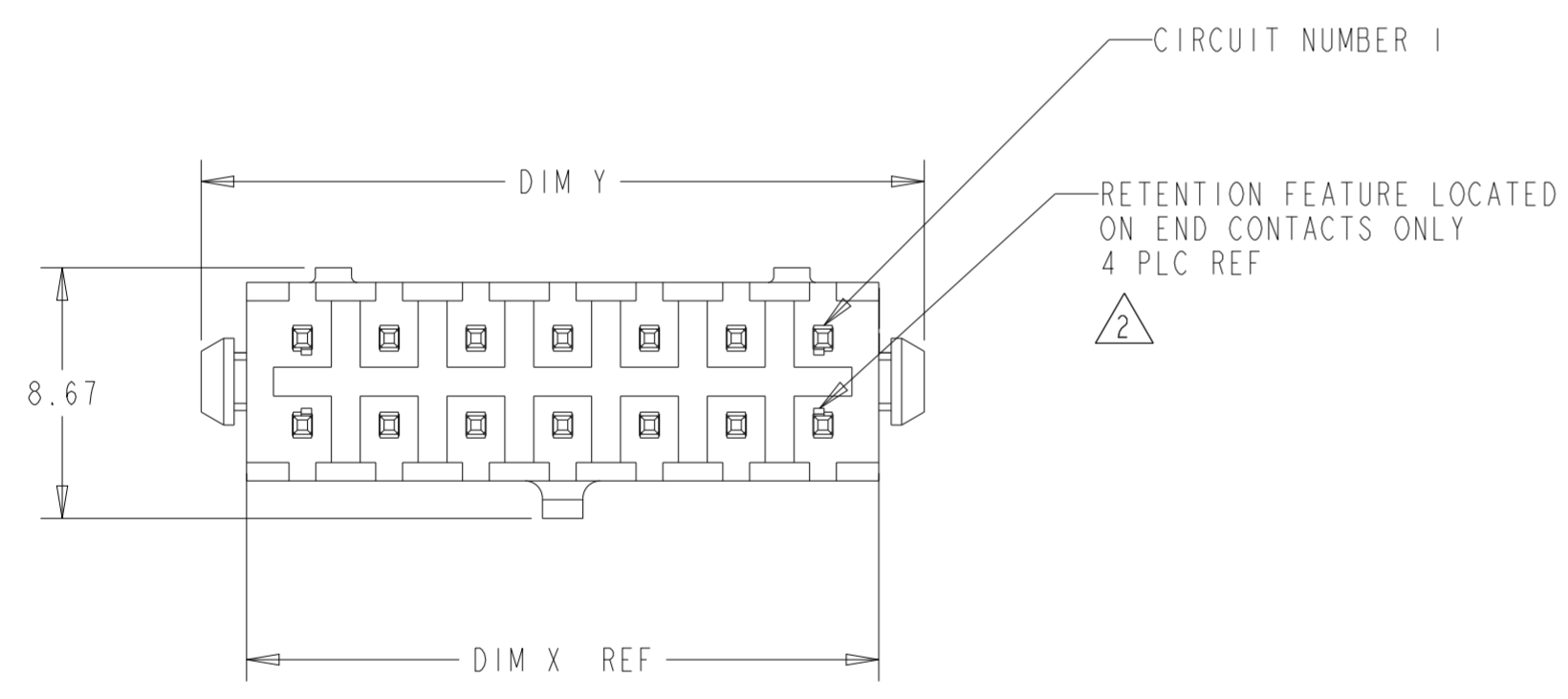


THIS DRAWING IS UNPUBLISHED. RELEASED FOR PUBLICATION  
 © COPYRIGHT 20 BY - ALL RIGHTS RESERVED.

REVISIONS					
P	LTR	DESCRIPTION	DATE	DWN	APVD
E5		REVISED PER ECN-21-107394	01 JUL 2021	WLS	VS



- 1 MATERIAL: HOUSING - UL 94V-0 RATED HIGH TEMP., NYLON, COLOR BLACK.  
CONTACT - BRASS.
- 2 MAXIMUM INSERTION 30 LBS.
- 3 RECOMMENDED BOARD THICKNESS 1.57.
- 4 FINISHING: 0.76µm MINIMUM GOLD ON MATING AREA.  
2.54µm MINIMUM MATTE TIN ON SOLDER TAILS.  
ALL OVER 1.27µm MINIMUM NICKEL.
- 5 CUTTING AREA REGION, NO PLATING IS PRESENT.
- 6 COUNTERPART RECOMMENDED IS PN 794617 (DASH ACCORDING TO NUMBER OF POSITION).
- 7 FOR REELING DIRECTION AND PACKAGING TYPE, SEE SPECIFICATION 114-13000.

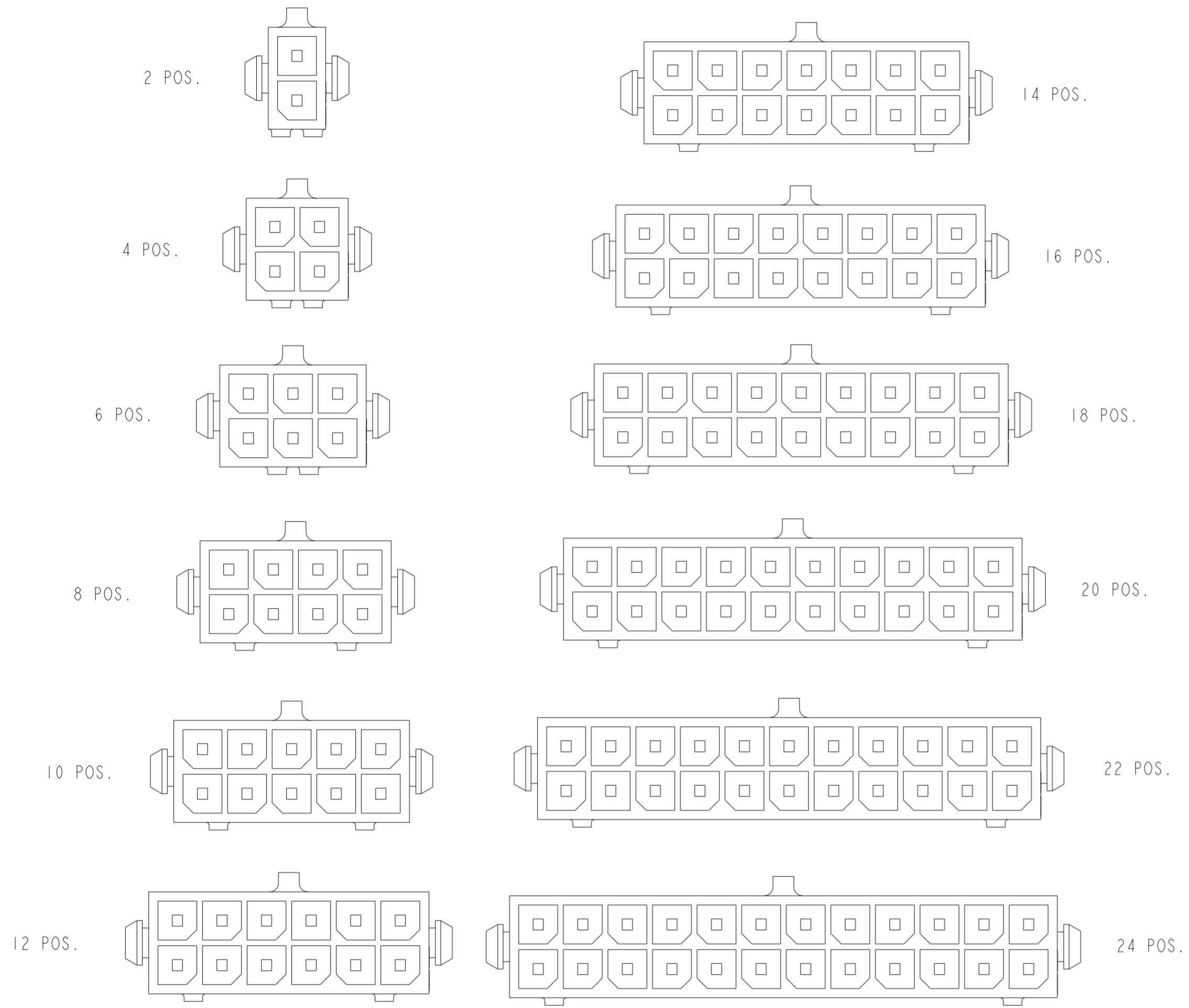


DIM Y	DIM Z	DIM X	NO. OF POSN.	PART NUMBER
16.00	9.00	12.86	8	6-794632-8
40.00	33.00	36.86	24	5-794632-4
37.00	30.00	33.86	22	5-794632-2
34.00	27.00	30.86	20	5-794632-0
31.00	24.00	27.86	18	4-794632-8
28.00	21.00	24.86	16	4-794632-6
25.00	18.00	21.86	14	4-794632-4
22.00	15.00	18.86	12	4-794632-2
19.00	12.00	15.86	10	4-794632-0
16.00	9.00	12.86	8	3-794632-8
13.00	6.00	9.86	6	3-794632-6
10.00	3.00	6.86	4	3-794632-4
7.00	-	3.86	2	3-794632-2

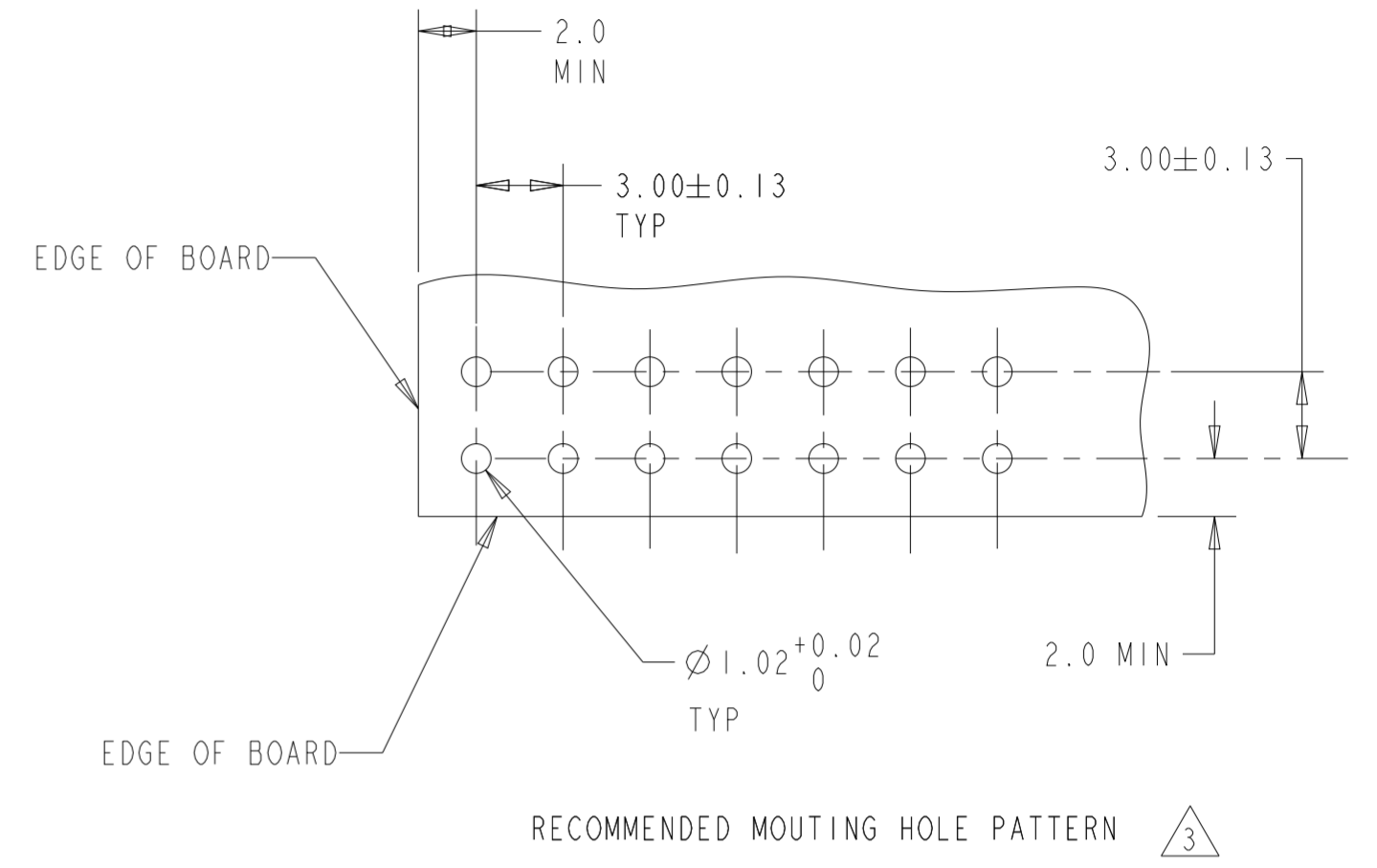
THIS DRAWING IS A CONTROLLED DOCUMENT.		DWN B. HAYMAKER 16AUG99	TE Connectivity	
DIMENSIONS: mm [ INCHES ]		CHK K. COBLE 16AUG99		
TOLERANCES UNLESS OTHERWISE SPECIFIED:		APVD K. COBLE 16AUG99	NAME VERTICAL HEADER ASSEMBLY, THRU HOLE, 30 GOLD, DUAL ROW, MICRO MATE-N-LOK™	
0 PLC ± 1 PLC ± 2 PLC ±0.20 [ .008 ] 3 PLC ± 4 PLC ± ANGLES ±1° FINISH		PRODUCT SPEC 108-1836	SIZE A2	
MATERIAL 1		APPLICATION SPEC 114-13000	CAGE CODE 00779	DRAWING NO G-794632
		WEIGHT -	RESTRICTED TO	
		CUSTOMER DRAWING	SCALE 4:1	SHEET 1 OF 2
			REV E5	

THIS DRAWING IS UNPUBLISHED. RELEASED FOR PUBLICATION  
 © COPYRIGHT 20 BY - ALL RIGHTS RESERVED.

REVISIONS				
P	LTR	DESCRIPTION	DATE	APVD
-	-	SEE SHEET 1	-	-



KEYING BY POSITION SIZE



THIS DRAWING IS A CONTROLLED DOCUMENT.		DWN B. HAYMAKER 16AUG99	TE Connectivity	
DIMENSIONS: mm [ INCHES ]		CHK K. COBLE 16AUG99		
TOLERANCES UNLESS OTHERWISE SPECIFIED:		APVD K. COBLE 16AUG99	NAME VERTICAL HEADER ASSEMBLY, THRU HOLE, 30 GOLD, DUAL ROW, MICRO MATE-N-LOK	
0 PLC ±	1 PLC ±	PRODUCT SPEC 108-1836	SIZE A2	CAGE CODE 00779
2 PLC ±0.20 [ .008 ]	3 PLC ±	APPLICATION SPEC 114-13000	DRAWING NO G-794632	RESTRICTED TO
4 PLC ±	ANGLES ±	WEIGHT -	SCALE 4:1	SHEET 2 OF 2
MATERIAL -	FINISH -	CUSTOMER DRAWING	REV E5	