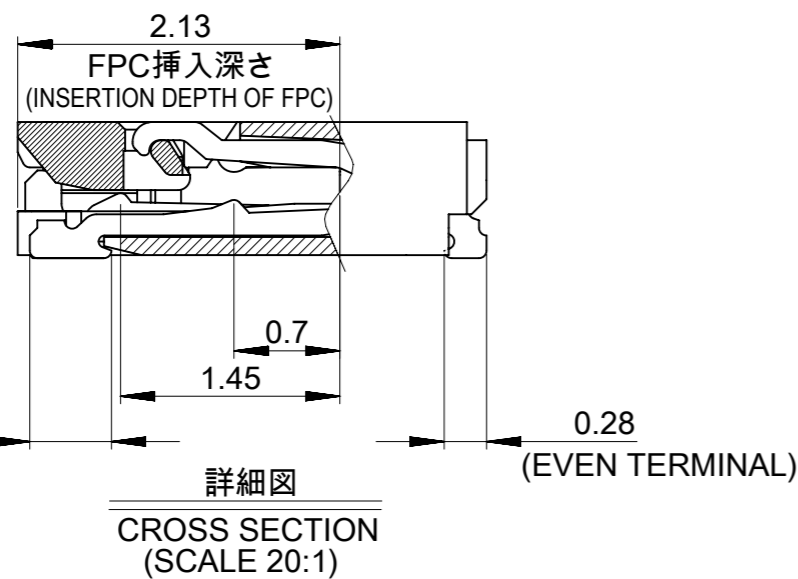


回路番号1
CIRCUIT NO.1



注記

NOTES:

1.材質

MATERIAL

ハウジング : LCP (液晶ポリマー)、ガラス充填、UL94V-0
HOUSING: LCP (LIQUID CRYSTAL POLYMER),
GLASS FILLED, UL94V-0

アクチュエータ : ナイロン、ガラス充填、UL94HB
ACTUATOR: NYLON (POLYAMIDE),
GLASS FILLED, UL94HB

ターミナル : 銅合金 (t=0.15)

TERMINAL: COPPER ALLOY (t=0.15)

金具 : 銅合金 (t=0.15)

NAIL: COPPER ALLOY (t=0.15)

2.めっき仕様

PLATING

ターミナル

TERMINAL

部分金めっき

SEPARATED GOLD PLATING

下地ニッケルめっき

UNDER PLATING: NICKEL PLATING

金具

NAIL

錫めっき

TIN PLATING

下地ニッケルめっき

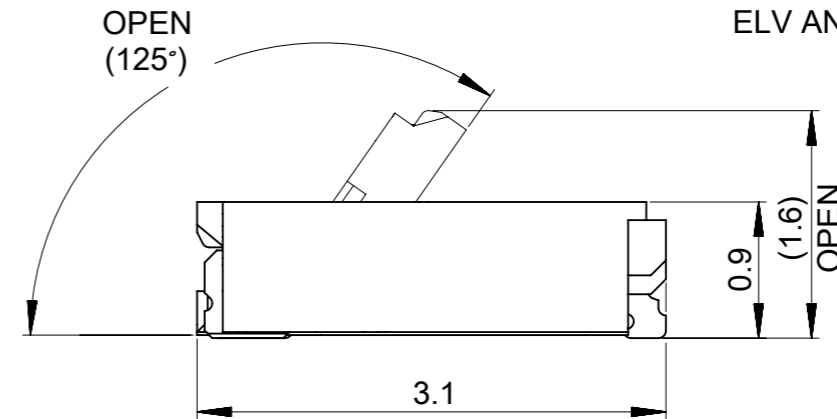
UNDER PLATING: NICKEL PLATING

3.平坦度は、0.1ミリ以下とする。

TAILS COPLANARITY TO BE 0.1 MAXIMUM.

4.ELV及びRoHS適合品

ELV AND RoHS COMPLIANT



0.067	10.75	9.0	9.6	12.0	501628-3391	33
重さ (g) WEIGHT(g)	D	C	B	A	EMBOSSED PACKAGE オーダー番号 ORDER No.	極数 CIRCUITS

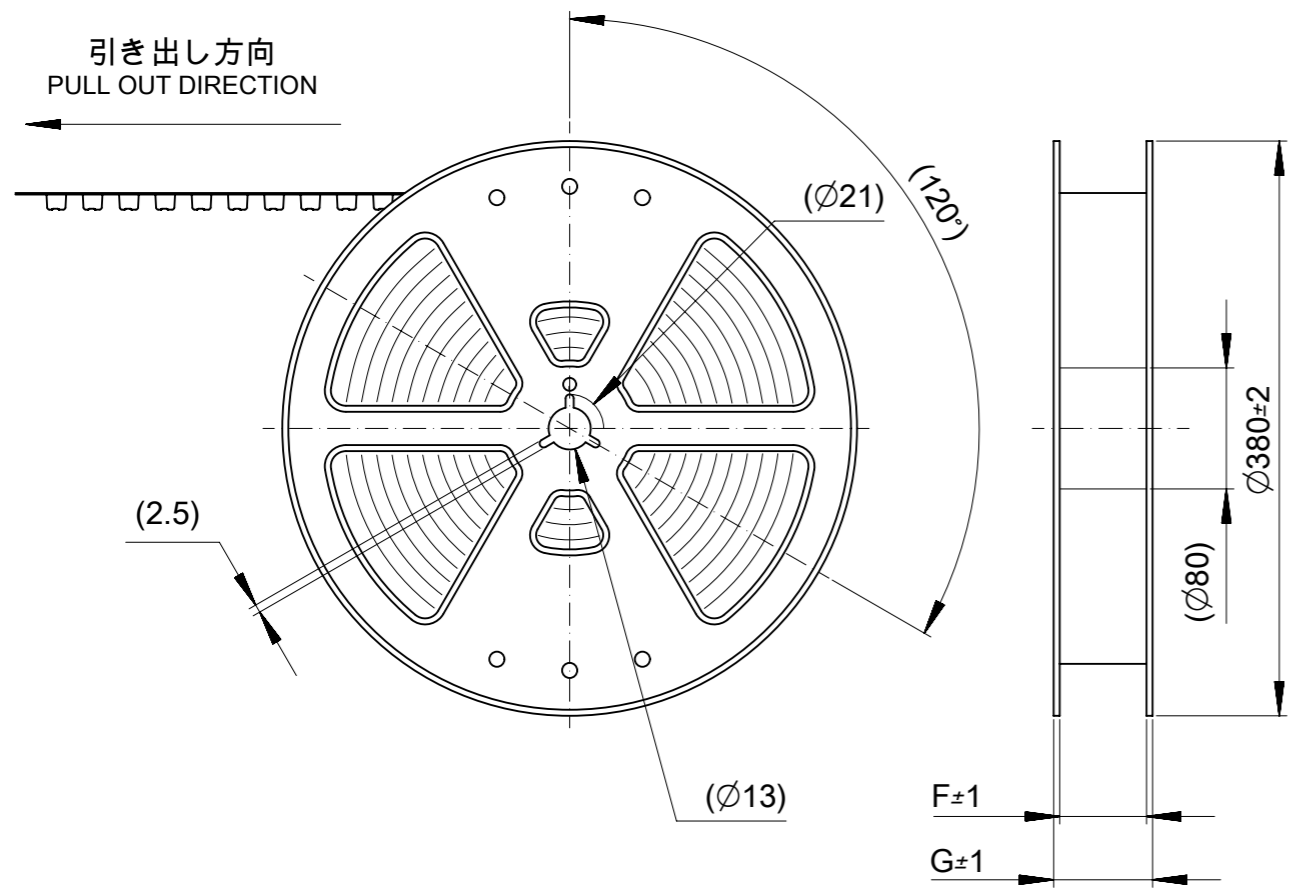
CONNECTOR SERIES No. 501628-**13

THIS DRAWING CONTAINS INFORMATION THAT IS PROPRIETARY TO MOLEX ELECTRONIC TECHNOLOGIES, LLC AND SHOULD NOT BE USED WITHOUT WRITTEN PERMISSION

DIMENSION UNITS		SCALE		CURRENT REV DESC: OBSOLETE PART NO.			
mm		40:1		<p>molex</p> <p>0.3 FPC CONN. (H=0.9) HS'G ASSY BOTTOM CONTACT NICKEL BARRIER</p> <p>PRODUCT CUSTOMER DRAWING</p> <p>DOCUMENT NUMBER: SD-501628-001 DOC TYPE: PSD DOC PART: 001 REVISION: M1</p> <p>MATERIAL NUMBER: SEE TABLE CUSTOMER: GENERAL MARKET SHEET NUMBER: 1 OF 2</p>			
GENERAL TOLERANCES (UNLESS SPECIFIED)							
4 PLACES		±					
3 PLACES		±					
2 PLACES		±					
1 PLACE		±		EC NO: 631031			
0 PLACES		±		DRWN: RPRABHUM 2019/12/24			
ANGULAR TOL		± 1.0°		CHK'D: GGA 2020/02/06			
DRAFT WHERE APPLICABLE		MUST REMAIN WITHIN DIMENSIONS		APPR: GGA 2020/02/06			
THIRD ANGLE PROJECTION		DRAWING		SERIES			
A3-SIZE		501628		INITIAL REVISION:			
DRWN: HSHIMOYAMA 2005/03/25		APPR: MSASAO 2005/03/25		MATERIAL NUMBER			

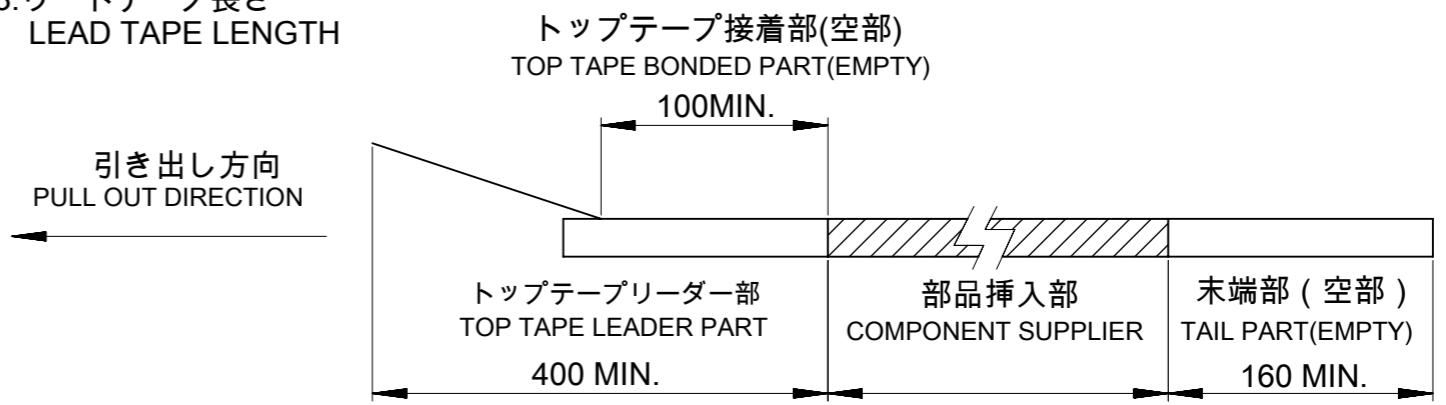
GENERAL TOLERANCES (UNLESS SPECIFIED)

10 ^{UNDER}	±0.2
10 ^{OVER} 30 ^{UNDER}	±0.25
30 ^{OVER}	±0.3

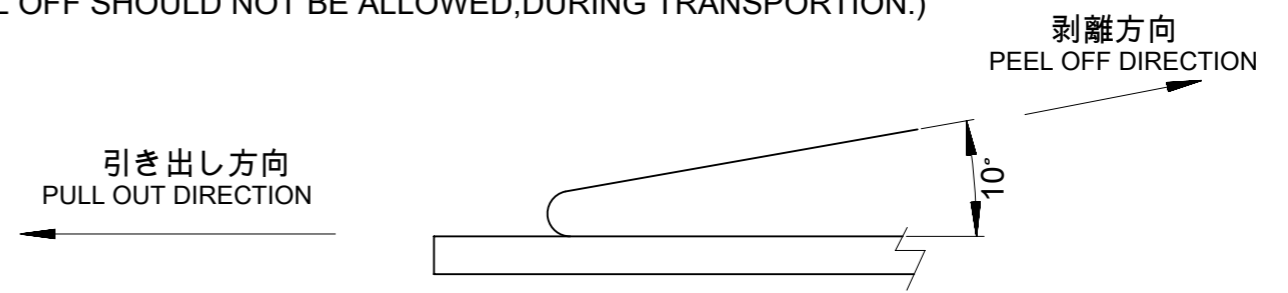


注記)
NOTES

1. 製品番号501628-**11の詳細寸法は、製品単体図面を参照下さい。
IN THE PACKAGE PART NUMBER 501628-**11 DETAIL DIMENSIONS, SEE SALES DRAWING FOR CONNECTOR.
2. 梱包数量：3000個/リール
NUMBER OF CONNECTORS：3000 PCS/REEL
3. リードテープ長さ
LEAD TAPE LENGTH



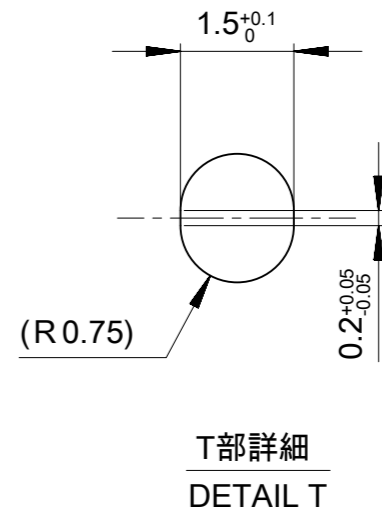
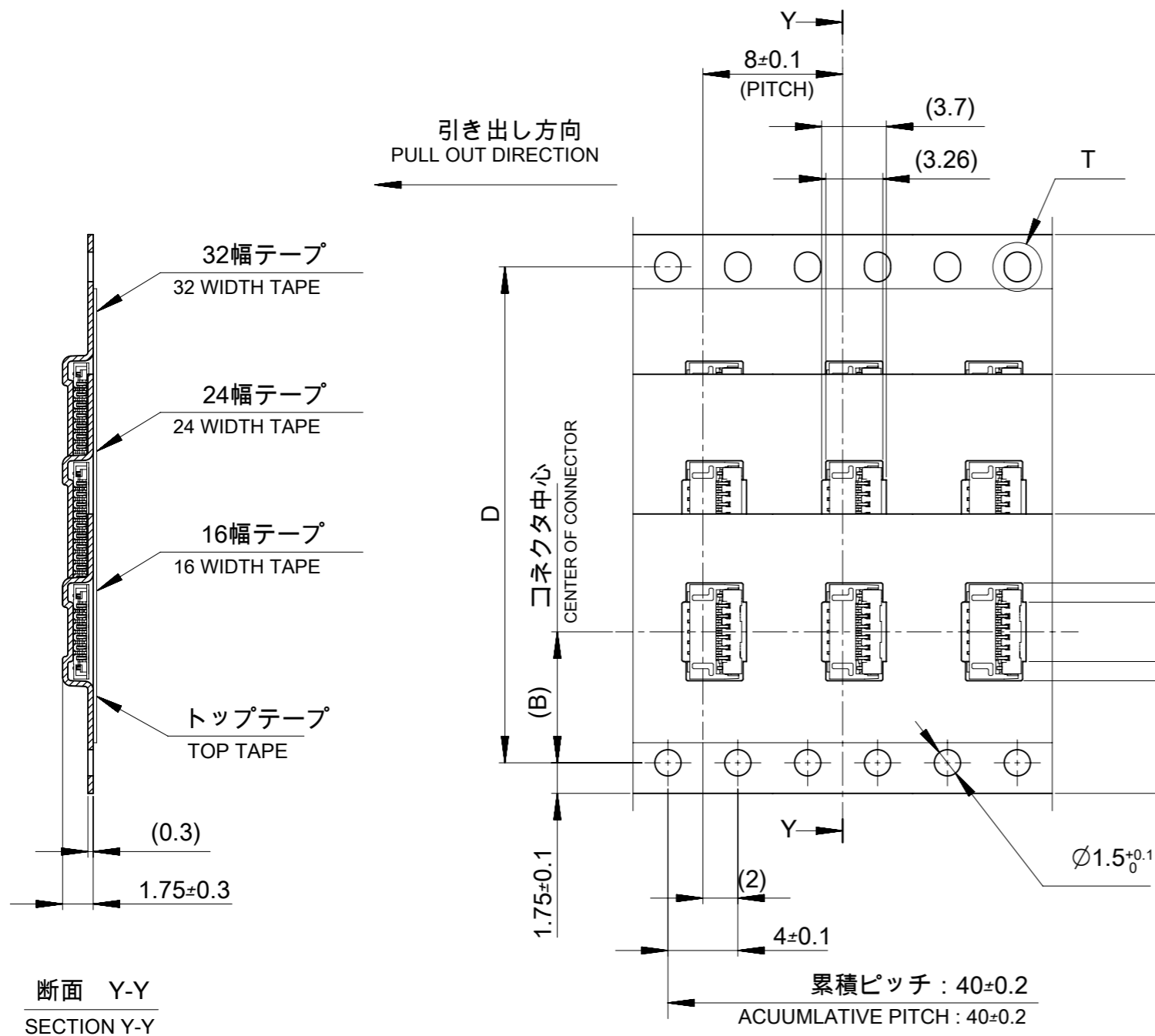
4. トップテープの剥離強度 (剥離方向は下図参照)
PEELING OFF FORCE OF TOP TAPE (PEELING DIRECTION AS SHOWN IN FOLLOWING FIGURE)
0.1-1.3N (10-130gf)
尚、本規格値は出荷時に適用。
THIS REQUIREMENT SHOULD BE APPLIED AT SHIPMENT.
(但し、輸送時に剥離が発生しないこと)
(PEEL OFF SHOULD NOT BE ALLOWED, DURING TRANSPORTION.)



5. 材料
MATERIAL
キャリアテープ：ポリスチレン (PS)
CARRIER TAPE: POLYSTYRENE (PS)
トップテープ：PET、PE、PEF
TOP TAPE: PET, PE, PEF
リール：ポリスチレン
REEL: POLYSTYRENE

6. ELV及びRoHS適合品
ELV AND RoHS COMPLIANT

THIS DRAWING CONTAINS INFORMATION THAT IS PROPRIETARY TO MOLEX ELECTRONIC TECHNOLOGIES, LLC AND SHOULD NOT BE USED WITHOUT WRITTEN PERMISSION		CURRENT REV DESC: OBSOLETE PART NO.		molex	
DIMENSION UNITS	SCALE				
mm	NTS			0.3 FPC CONN.(FOR 501628-**11) TAPING PACKAGE NICKEL BARRIER	
GENERAL TOLERANCES (UNLESS SPECIFIED)				PRODUCT CUSTOMER DRAWING	
	MM	INCH			DOCUMENT NUMBER
4 PLACES	±	±	EC NO: 631031	2019/12/24	DOC TYPE
3 PLACES	±	±	DRWN: RPRABHUM	2020/02/06	DOC PART
2 PLACES	±	±	CHK'D: GGA	2020/02/06	REVISION
1 PLACE	±	±	APPR: GGA	2020/02/06	
0 PLACES	±	±	INITIAL REVISION:		
ANGULAR TOL	±	°	DRWN: HSHIMOYAMA	2005/08/22	SD-501628-003
			APPR: MSASAO	2005/08/22	PSD 001 G1
DRAFT WHERE APPLICABLE MUST REMAIN WITHIN DIMENSIONS		THIRD ANGLE PROJECTION	DRAWING	SERIES	MATERIAL NUMBER
			A3-SIZE	501628	CUSTOMER
					GENERAL MARKET
					SHEET NUMBER
					1 OF 2



29.4	25.4	24±0.3	---	10.0	11.5	12.2	501628-3391	33
G	F	キャリアテープ幅 EMBOSSD TAPE WIDTH	D	C	B	A	製品番号 MATERIAL NO.	極数 CIRCUITS

THIS DRAWING CONTAINS INFORMATION THAT IS PROPRIETARY TO MOLEX ELECTRONIC TECHNOLOGIES, LLC AND SHOULD NOT BE USED WITHOUT WRITTEN PERMISSION		CURRENT REV DESC: OBSOLETE PART NO.		molex	
DIMENSION UNITS: mm		SCALE: NTS			
GENERAL TOLERANCES (UNLESS SPECIFIED)				0.3 FPC CONN.(FOR 501628 -**11) TAPING PACKAGE NICKEL BARRIER	
4 PLACES ±				EC NO: 631031	
3 PLACES ±				DRWN: RPRABHUM 2019/12/24	
2 PLACES ±				CHK'D: GGA 2020/02/06	
1 PLACE ±				APPR: GGA 2020/02/06	
0 PLACES ±				INITIAL REVISION:	
ANGULAR TOL ± °				DRWN: HSHIMOYAMA 2005/08/22	
DRAFT WHERE APPLICABLE MUST REMAIN WITHIN DIMENSIONS				APPR: MSASAO 2005/08/22	
THIRD ANGLE PROJECTION		DRAWING		SERIES	
DRAWING		A3-SIZE		501628	
MATERIAL NUMBER		CUSTOMER		SHEET NUMBER	
SEE TABLE		GENERAL MARKET		2 OF 2	