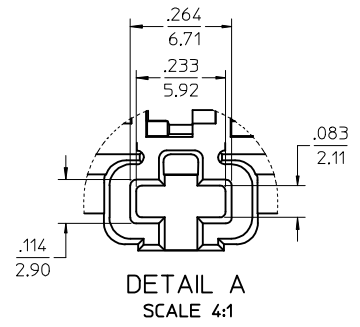
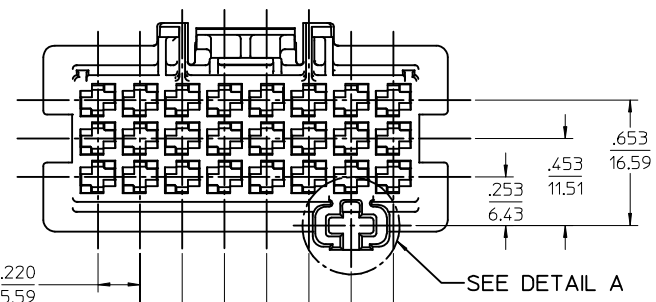
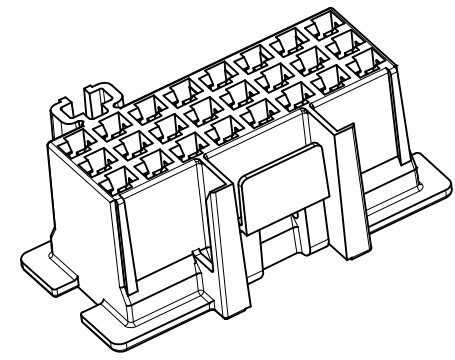
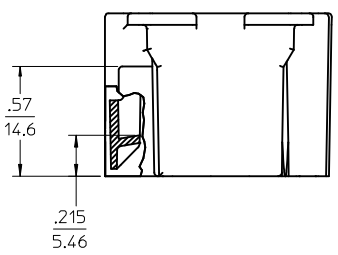
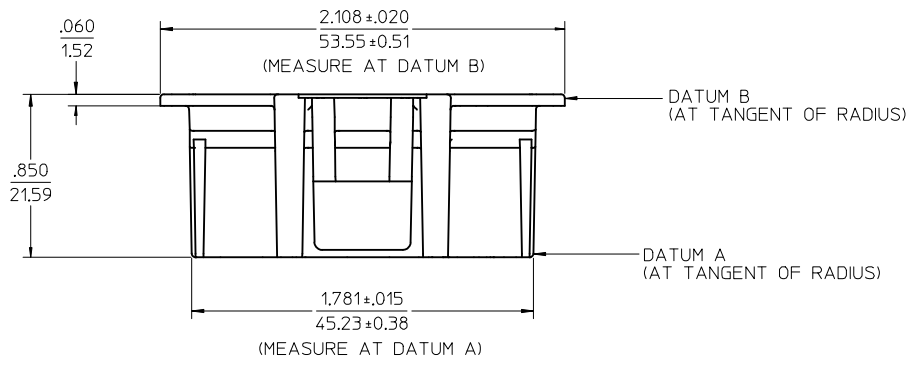
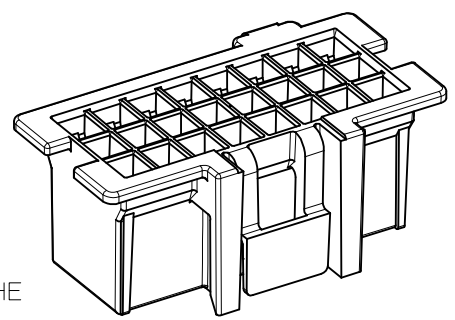


- NOTES:
1. MATERIAL: 6/6 NYLON, UL94V-2, COLOR: BLACK
 2. FINISH: NOT APPLICABLE
 3. PRODUCT SPECIFICATION: PSX-44441-9999
 4. USE TERMINALS: 43375-*
 5. SEE AS-43796-001 FOR THE DESCRIPTION OF THE MATING INTERFACE.



43796-2024

- .220 (5.59)
- .220 (5.59)
- .440 (11.18)
- .660 (16.76)
- .880 (22.35)
- 1.100 (27.94)
- 1.320 (33.53)

EC NO: UCP2004-1310 DRWN:MKAMARA/2004/01/20 CHKD:MKAMARA/2004/01/20 APPR:BWIRKUS 2004/01/20	QUALITY SYMBOLS ▽-0 ▽C-0	GENERAL TOLERANCES (UNLESS SPECIFIED)		SCALE 2:1	DESIGN UNITS INCH	THIRD ANGLE PROJECTION	REVISE ON CAD ONLY
		mm	INCH	DIMENSION STYLE IN/MM		TITLE	
REV B2	DESCRIPTION	4 PLACES ± --- ± ---	3 PLACES ± --- ± .007	DRAWN BY TGREGORI	DATE 2003/03/13	CONNECTOR HOUSING 24 - CIRCUITS, W/ FLANGE TIMER APPLICATION	
		2 PLACES ± 0.18 ± .010	1 PLACE ± 0.25 ± ---	CHECKED BY BWIRKUS	DATE 2003/03/14	MOLEX INCORPORATED	
		ANGULAR ± 1/2°		APPROVED BY JCOMERCI	DATE 2003/03/17	MATERIAL NO. 43796-2024	DOCUMENT NO. SD-43796-002
		DRAFT WHERE APPLICABLE MUST REMAIN WITHIN DIMENSIONS		THIS DRAWING CONTAINS INFORMATION THAT IS PROPRIETARY TO MOLEX INCORPORATED AND SHOULD NOT BE USED WITHOUT WRITTEN PERMISSION		SHEET NO. 1 OF 1	