

PART NAME: KNOB

SCALE: 1:1

DATE: 9/12/08

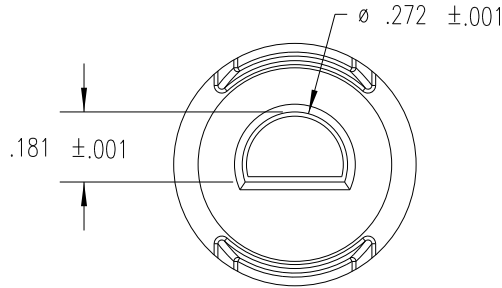
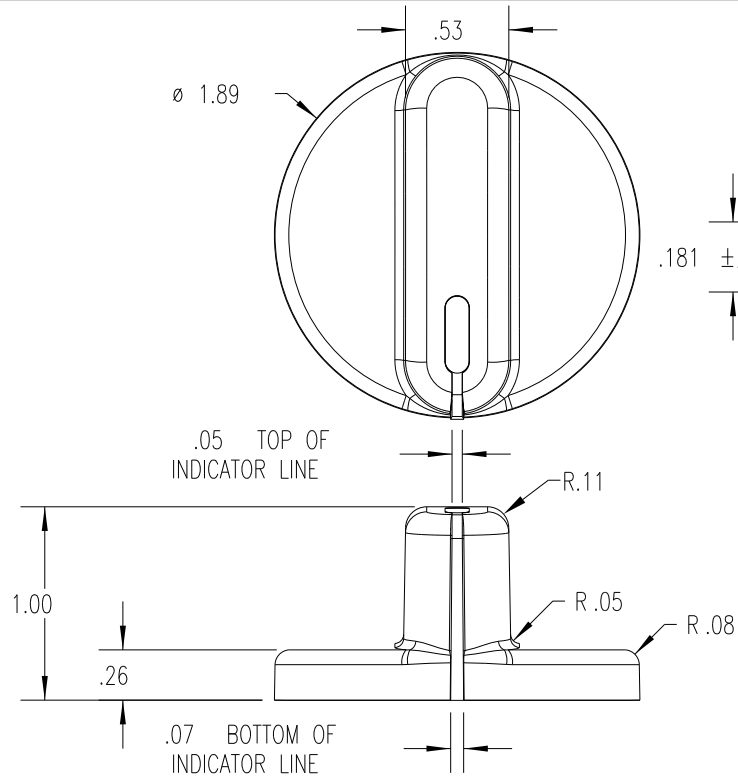
DR. BY JAM

DAVIES MOLDING COMPANY
CAROL STREAM, ILLINOIS 60188

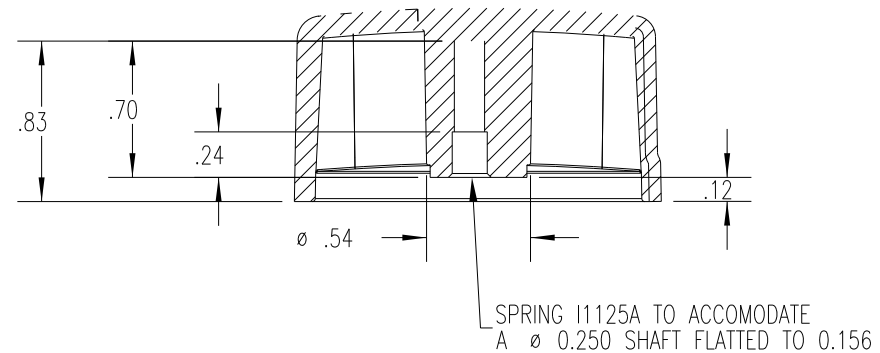
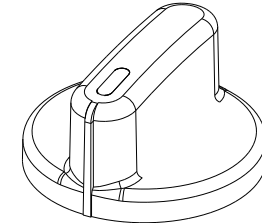
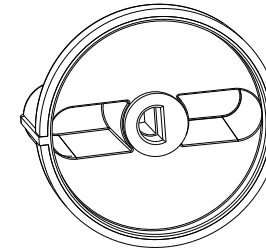
P/N 1507-A

THIS DRAWING IS THE PROPERTY OF DAVIES MOLDING COMPANY, IS SUBMITTED SOLELY AS A DESIGN OR ENGINEERING PROJECT.
WE ACCEPT NO RESPONSIBILITY WHATSOEVER FOR THE PRACTICAL APPLICATION OF THE PIECES MADE TO THIS DESIGN.

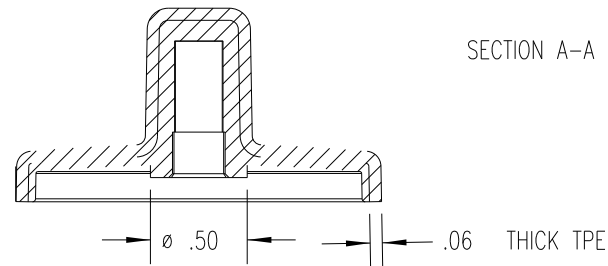
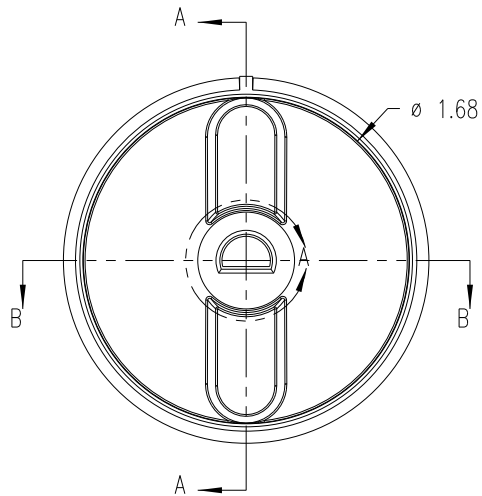
MOLD #	1507
CAVITY	1507
CORE	1507
PIN	1507-C
SPRING	I1125A



DETAIL A
SCALE 2 : 1



SECTION A-A



SECTION B-B

SUBSTRATE MATERIAL: POLYPROPYLENE (CLD)
 COLOR: WHITE (PC23083)
 OVERMOLD MATERIAL: TPE (TPE3)
 COLOR: BLACK

TOLERANCES: UNLESS OTHERWISE SPECIFIED	DO NOT SCALE DRAWING			
DECIMALS: X.XXX ± .005 X.XX ± .015	MM: X.XX ± 0.15MM X.X ± 0.4MM	-	WAS SK1507-08	JAM 9/12/08
FRACTIONS ± 1/64	ANG. ± 1°	CHANGES		