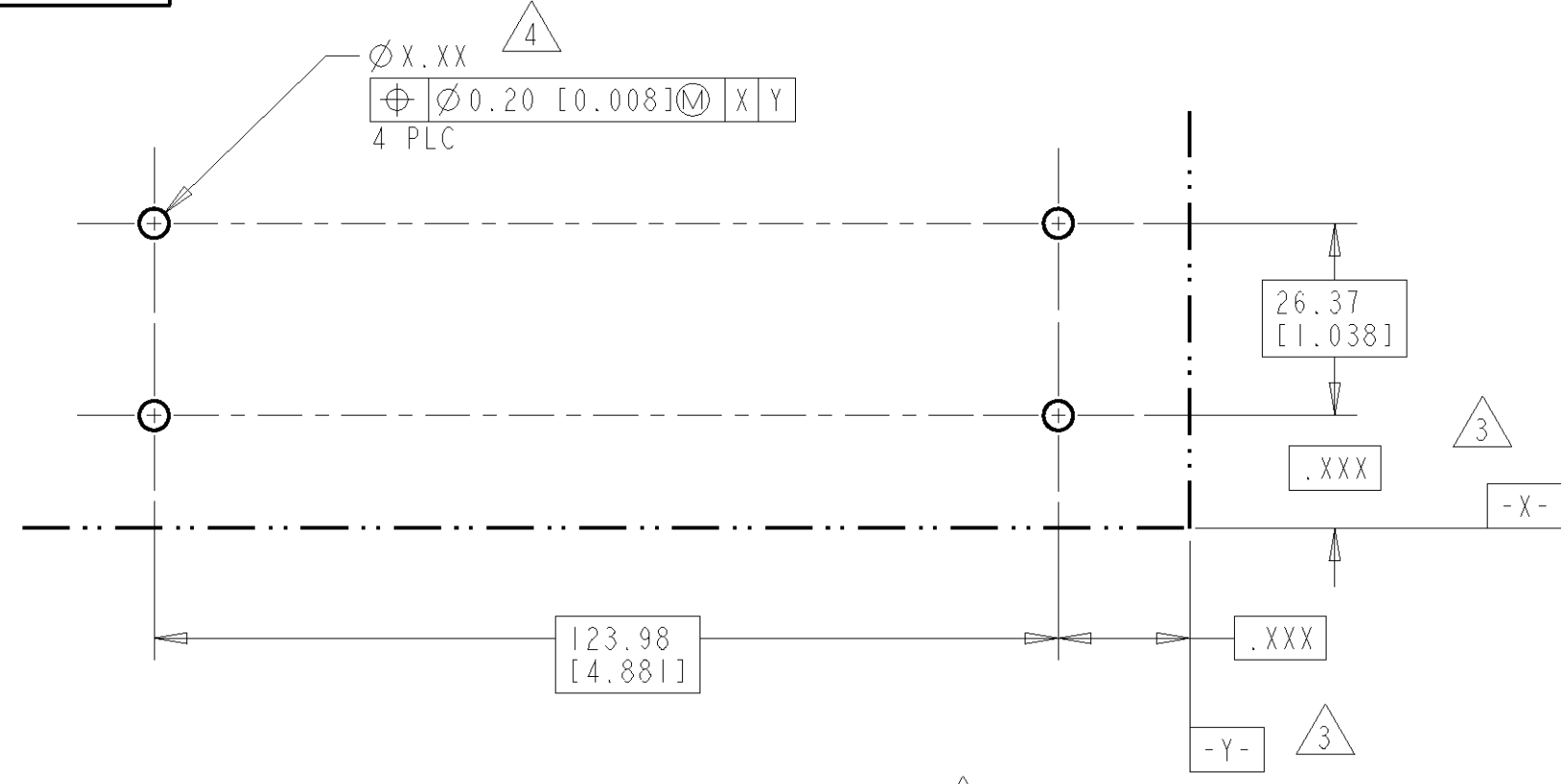
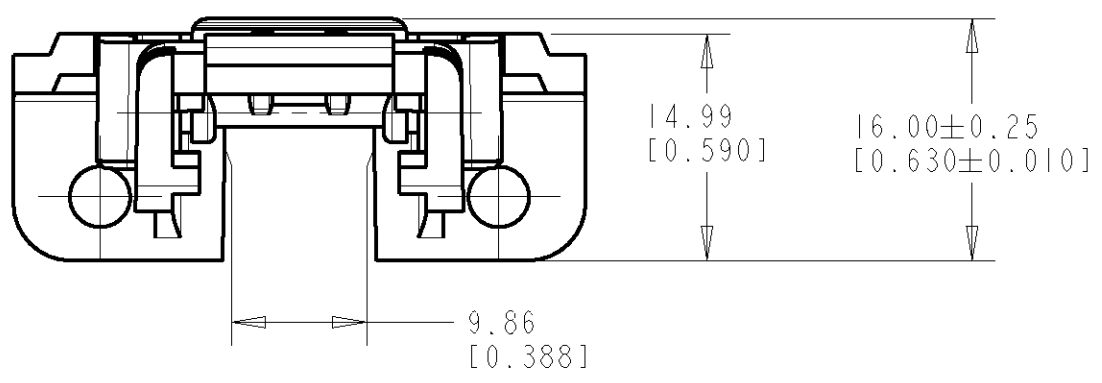
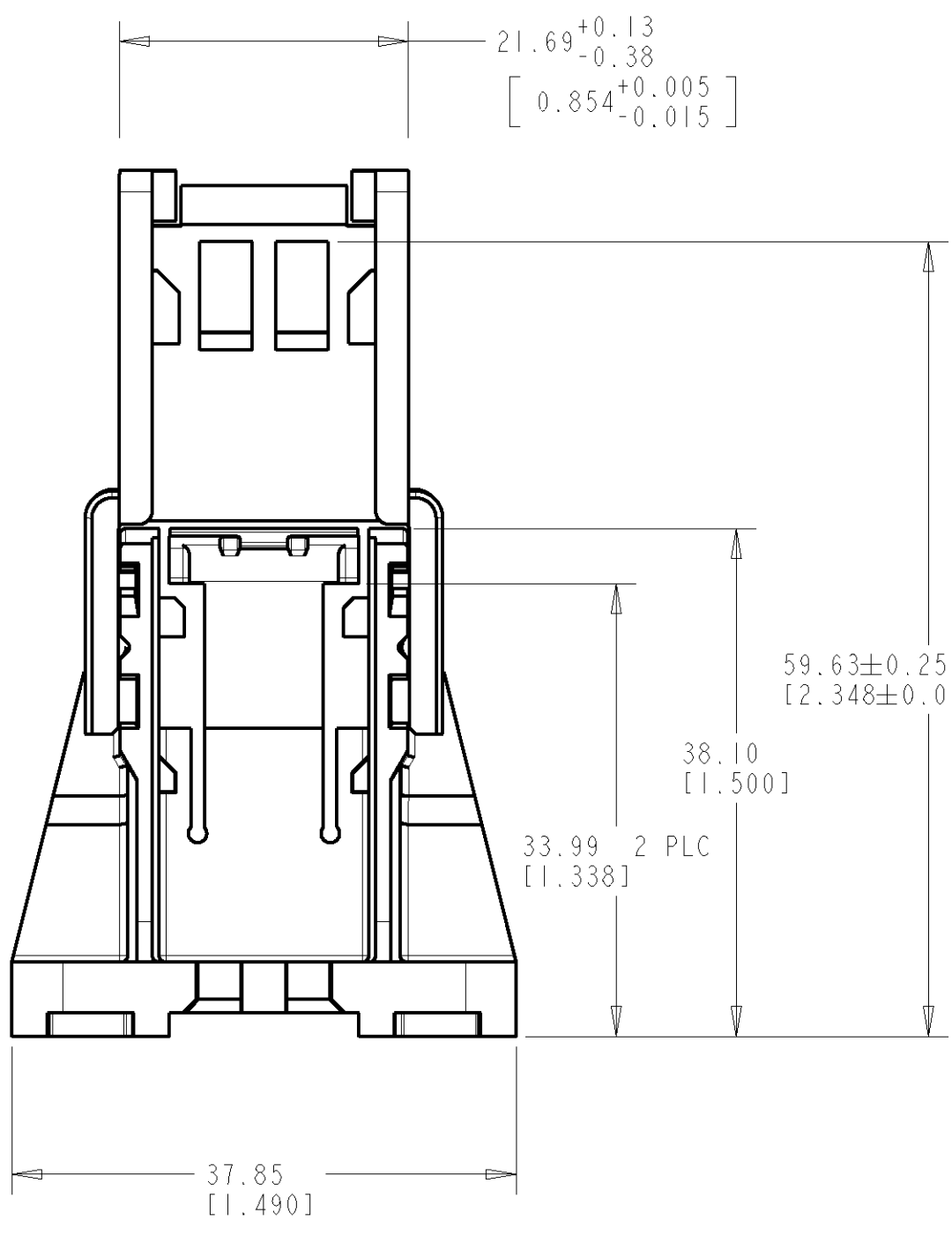


THIS DRAWING IS UNPUBLISHED. RELEASED FOR PUBLICATION .19
 BY AMP INCORPORATED. ALL RIGHTS RESERVED.

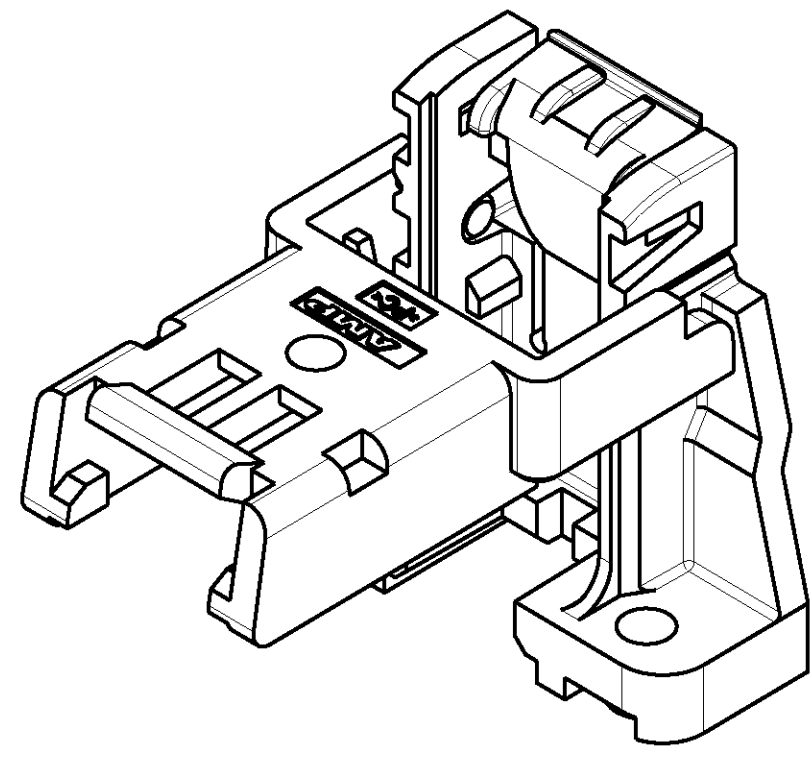
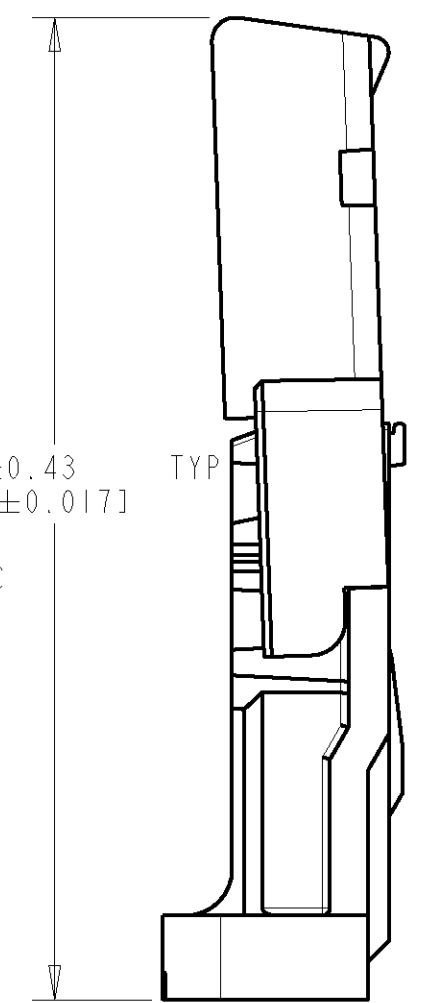
LOC	DIST	REVISIONS					
AD	14	P	LTR	DESCRIPTION	DATE	DWN	APVD
		0		RELEASED	15SEP98	RB	EL
		A		REVISED PER 0651-0241-98	29OCT98	RB	EL



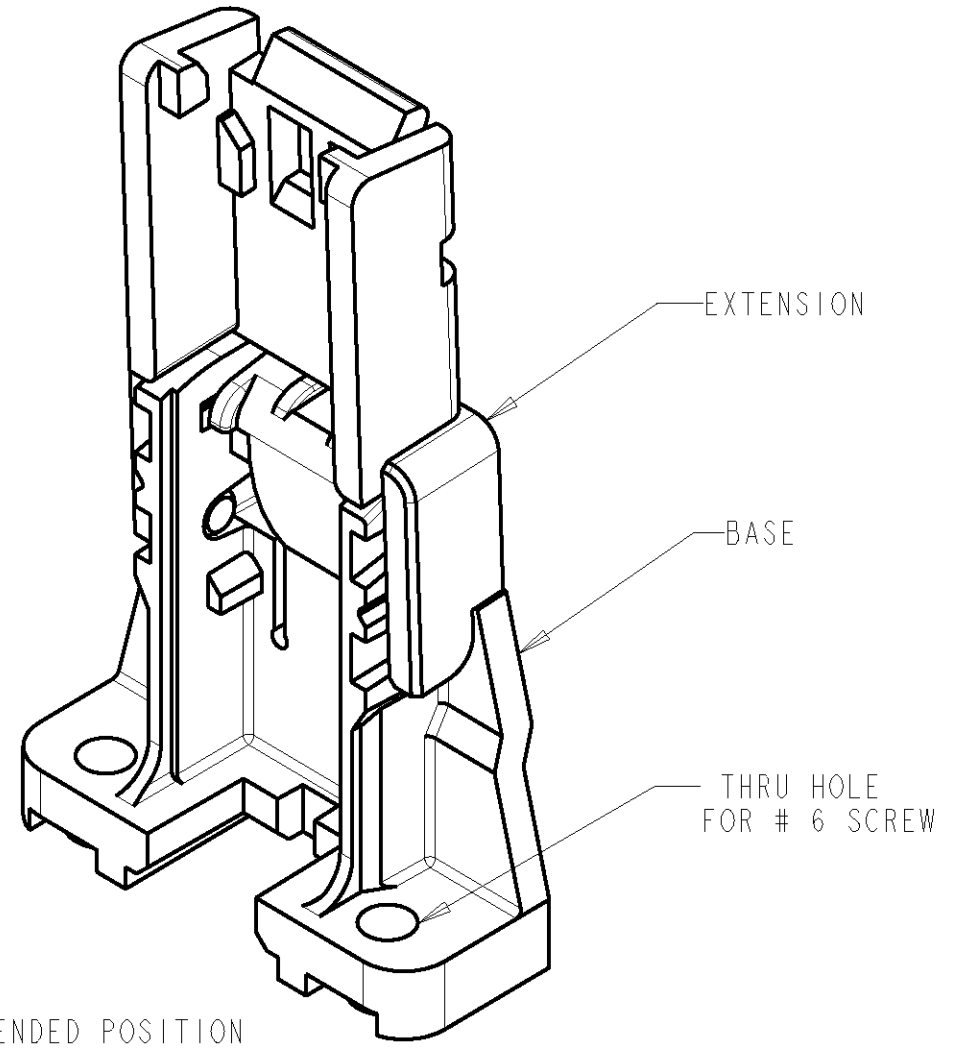
- 1 ALL COMPONENTS- UL 94-V0 RATED POLYCARBONATE, BLACK.
- 2 RECOMMENDED PC BOARD THICKNESS OF 1.57±0.15[.062±.006].
- 3 DATUM AND BASIC DIMENSIONS ESTABLISHED BY CUSTOMER.
- 4 HOLE DIAMETER DIMENSION ESTABLISHED BY CUSTOMER
- 5. BULK PACKAGED IN PARTITIONED BOXES IN THE EXTENDED POSITION
- 6 EACH PROCESSOR INSTALLATION REQ'S TWO RETENTION MODULES.



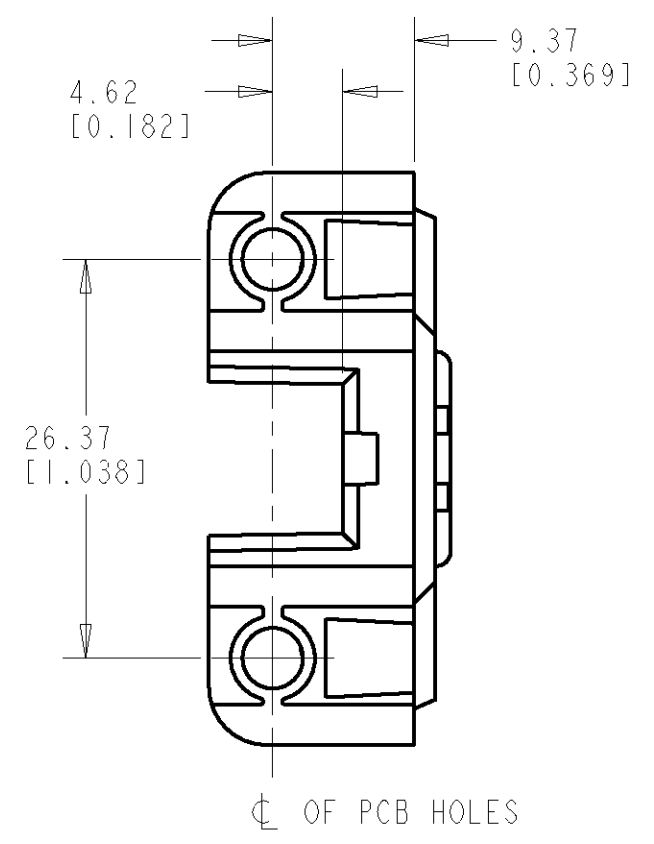
RECOMMENDED PC BOARD LAYOUT SCALE 1:1



FOLDED POSITION



EXTENDED POSITION



Ø OF PCB HOLES

2 MODULES WITH THRU HOLES	145419-2
1 MODULE WITH THRU HOLES	145419-1
DESCRIPTION	6 PART NUMBER

THIS DRAWING IS A CONTROLLED DOCUMENT FOR AMP INCORPORATED. IT IS SUBJECT TO CHANGE AND THE CONTROLLING ENGINEERING ORGANIZATION SHOULD BE CONTACTED FOR THE LATEST REVISION.		DWN R BROWN 15SEP98	AMP AMP Incorporated Harrisburg, PA 17105-3608
DIMENSIONS: mm [INCHES]		CHK E LOTTER 15SEP98	
TOLERANCES UNLESS OTHERWISE SPECIFIED:		APVD V RUMINSKI 15SEP98	NAME UNIVERSAL RETENTION MODULE ASSEMBLY KIT, THRU HOLE SHORT LATCH
0 PLC ±	1 PLC ±	PRODUCT SPEC 108-1826	SIZE A2
2 PLC ±0.13[.005]	3 PLC ±	APPLICATION SPEC	CAGE CODE 00779
4 PLC ±	ANGLES ±	WEIGHT -	DRAWING NO. 145419
MATERIAL 1	FINISH -	CUSTOMER DRAWING	RESTRICTED TO -
		SCALE 2:1	SHEET 1 OF 1
			REV A

145419