

PSD-S WIN MA/UL

Master with antenna for the WIN signal tower wireless system

Data sheet
8642_en_00

© PHOENIX CONTACT 2013-02-04



1 Description

The WIN (Wireless Information Network) wireless system is an inexpensive, wireless-based machine data acquisition system (MDA system).

It enables wireless transmission of signal statuses from several signal towers and therefore central monitoring on the PC of up to 50 different machines.

A master as receiving unit, at least one slave as wireless element and software for displaying and evaluating the signal statuses make up the wireless system.

The following is included in scope of supply:

- One master with antenna including accessories
- One USB cable
- Software CD with WIN software

The master is the receiving unit for the signals that are transmitted by the slave.

The master is connected to the USB connection of a PC. You can therefore display and evaluate received signal statuses with the WIN software on the PC and store them in a database.

WIN master features

- Use of the 915 MHz frequency band
- Can operated parallel to other wireless applications (e. g., WLAN, Bluetooth)
- Simultaneous detection of up to 50 wireless elements (slaves)

WIN software features

- License-free software for wireless monitoring of the machine park on the PC at a glance
- Scope of functions: monitoring of system statuses, troubleshooting, wireless path diagnostics, productivity analysis for increasing machine efficiency and availability, storing in a database
- Easy installation
- No programming knowledge required
- Error messages from the software can be sent via e-mail



NOTE:

This version of WIN is only approved for use in North America.



NOTE:

Do not use the WIN system for safety-related applications!



Make sure you always use the latest documentation.

It can be downloaded from the product at www.phoenixcontact.net/products.

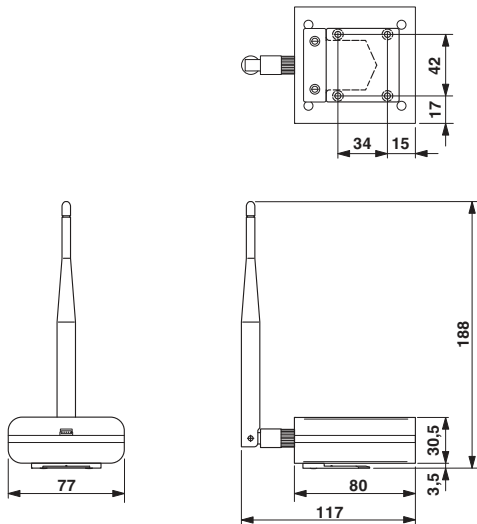
2	Table of contents	
1	Description	1
2	Table of contents	2
3	Ordering data	2
4	Technical data	3
5	Scope of supply	4
6	Use limitation	5
	6.1 FCC approval	5
	6.2 IC approval	5
7	Safety notes.....	5
8	Mounting the master	6
9	Master supply voltage.....	6
10	Diagnostics.....	6
11	WIN software	6

3 Ordering data

Description	Type	Order No.	Pcs. / Pkt.
Master with antenna for the WIN signal tower wireless system, with USB interface, voltage supply via USB interface, software CD, USB cable (3 m), four rubber feet and material for wall mounting of the master	PSD-S WIN MA/UL	2701664	1
Additional product required	Type	Order No.	Pcs. / Pkt.
Slave with C-UL-US approval for creating or extending the WIN signal tower wireless system, 24 V AC/DC, black	PSD-S WIN SL/UL	2701565	1
Set comprises	Type	Order No.	Pcs. / Pkt.
Set with C-UL-US approval for the WIN signal tower wireless system, consisting of one master with antenna, three slaves, software CD, USB cable (3 m), four rubber feet, and mounting material for wall mounting the master	PSD-S WIN SET-1MA-3SL/UL	2701563	1
Starter kit with C-UL-US approval for the WIN signal tower wireless system, consisting of one master with antenna, three slaves, nine LED permanent light elements (red, yellow, green), three connection elements, three mounting feet with integrated tube, software CD, USB cable (3 m), four rubber feet, and mounting material for wall mounting the master	PSD-S WIN STARTERKIT/UL	2701564	1
Documentation	Type	Order No.	Pcs. / Pkt.
User manual, German, wireless system for signal towers, only approved for use in North America!	UM DE PSD-S WIN/UL	-	-
User manual, English, wireless system for signal towers, only approved for use in North America!	UM EN PSD-S WIN/UL	-	-
User manual, French, wireless system for signal towers, only approved for use in North America!	UM FR PSD-S WIN/UL	-	-

4 Technical data

Dimensions (in mm)



Width	77 mm
Height	188 mm
Depth	117 mm
Note on dimensions	Height and depth when antenna is perpendicular

General data

Material	Acrylonitrile butadiene styrene (ABS)
Color	black
Weight	106 g
Ambient temperature (operation)	-20 °C ... 50 °C
Degree of protection	IP20
Diagnostics / Message	Wireless connection / LED

Electrical data of the master

Interfaces	USB
Operating voltage	5 V DC (USB; only use USB cables with a maximum length of 3 m.)
Inrush current	100 mA
Current consumption	max. 100 mA

Wireless interface

Modulation type	2 FSK
Frequency range	913 Hz ... 917 Hz
Frequency band	915 MHz ISM band
Transmission power	10 dBm (at 50 Ohm)
Range	300 m, maximum
Transmission speed	38.4 kbps (can be adjusted via WIN software) , 76.8 kbps (default)
Wireless modules that can be connected	Up to 50 (2701565 PSD-S WIN SL/UL)

Approvals / conformities

Conforms with guidelines: FCC Part 15.249/IC: RSS-210 Issue 8, RSS-GEN Issue 4, RSS-102 Issue 4

For the latest approvals, please visit www.phoenixcontact.net/products.

Wireless licences

Country ID

USA , Canada

5 Scope of supply



Figure 1 Elements within the scope of supply

Key:

- 1 Master
- 2 USB cable
- 3 CD with WIN software
- 4 Fixing element 1 (screw to master; two screws included)
- 5 Fixing element 2 (screw to the wall)
- 6 Rubber feet

6 Use limitation


NOTE:

This version of WIN is only approved for use in North America.

6.1 FCC approval

FCC = Federal Communications Commission

This device complies with Part 15 of the FCC regulations.

Operation is subject to the following two requirements:

1. This device may not cause harmful disturbances.
2. This device must withstand all disturbances received, including disturbances which could lead to unintentional operation.

Normally, the following FCC warning applies:

The user's permission to operate the equipment could be declared void by making any changes or modifications to this unit which are not expressly approved by the party responsible for compliance.

Contains: transmitter module FCC ID: ZGHWIN1

6.2 IC approval

This device complies with the RSS rule(s) of Industry Canada.

Operation is subject to the following two requirements:

1. This device may not cause harmful disturbances.
2. This device must withstand all disturbances received, including disturbances which could lead to unintentional operation.

Contains: transmitter module IC: 9619A-WIN1

7 Safety notes


CAUTION:

Observe the following safety notes when using the WIN wireless system!

- Do not use the system for safety-related applications.
- Also please observe the documentation on the individual elements of the signal tower (data sheets, package inserts) and the user manual regarding the wireless system for signal towers.
- Use only with 24 V signal towers.
- Only a qualified electrician can connect the system.
- Only use power supply units with safe isolation and PELV voltage (protection class 2).
- This device does not replace personal protective equipment (e.g., protective goggles, foot protection, etc.).
- This system cannot eliminate the need for or replace protective machine equipment, a safety circuit, a protective device, a safety regulation or supervision.
- Test this device and all protective machine equipment and safety devices at the start of each shift to ensure that it is functioning correctly.
- Always take the machines out of operation when replacing worn parts.
- When guards are removed, always implement the “OSHA lock-out/tag-out” regulations.

8 Mounting the master



The ideal wireless connection is achieved when as few objects as possible influence the WIN master and WIN slave.

You can mount the master either on the wall or position it next to the PC.

If you do not mount the master on the wall, stick the four rubber feet provided to the four corners on the underside of the master. They serve to protect against scratching and slipping.

If you mount the master on the wall, proceed as follows.

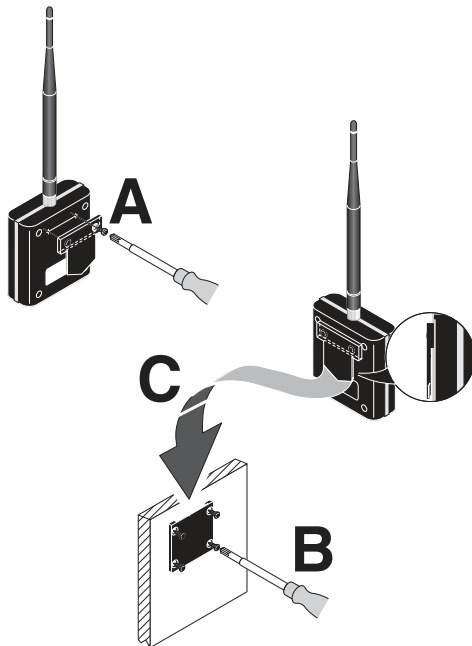


Figure 2 Mounting the master on the wall

- Screw the fixing element 1 to the master (fig. A). Use the screws supplied.
- Screw the fixing element 2 to the wall (fig. B). The screws are not supplied.
- Snap the master with fixing element 1 into fixing element 2 (fig. C).

9 Master supply voltage

The WIN master is supplied with voltage from the PC connected to it via the USB connection of the PC.

10 Diagnostics

The status of the wireless connection is indicated by the LED band that surrounds the master.

Meaning	Red LED	Green LED
No wireless connection to the WIN slave	X	-
Wireless connection to at least one WIN slave	-	X

11 WIN software



Please obtain information on the WIN software from the corresponding User Manual.