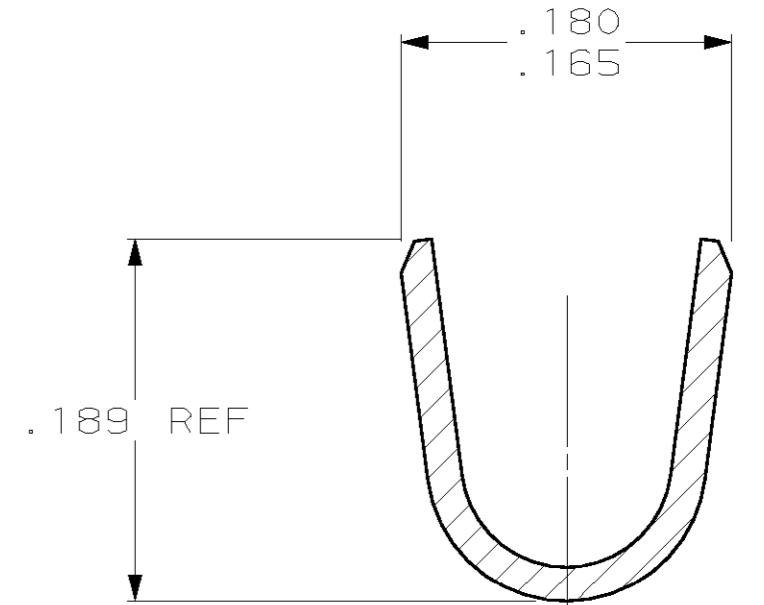
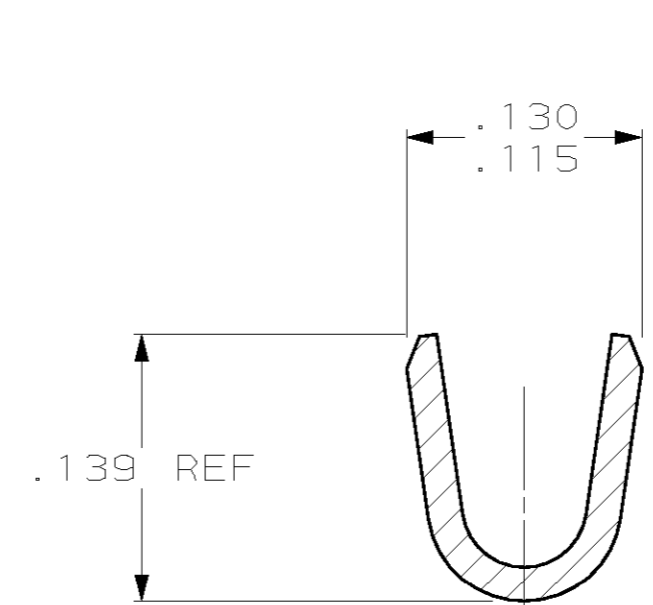
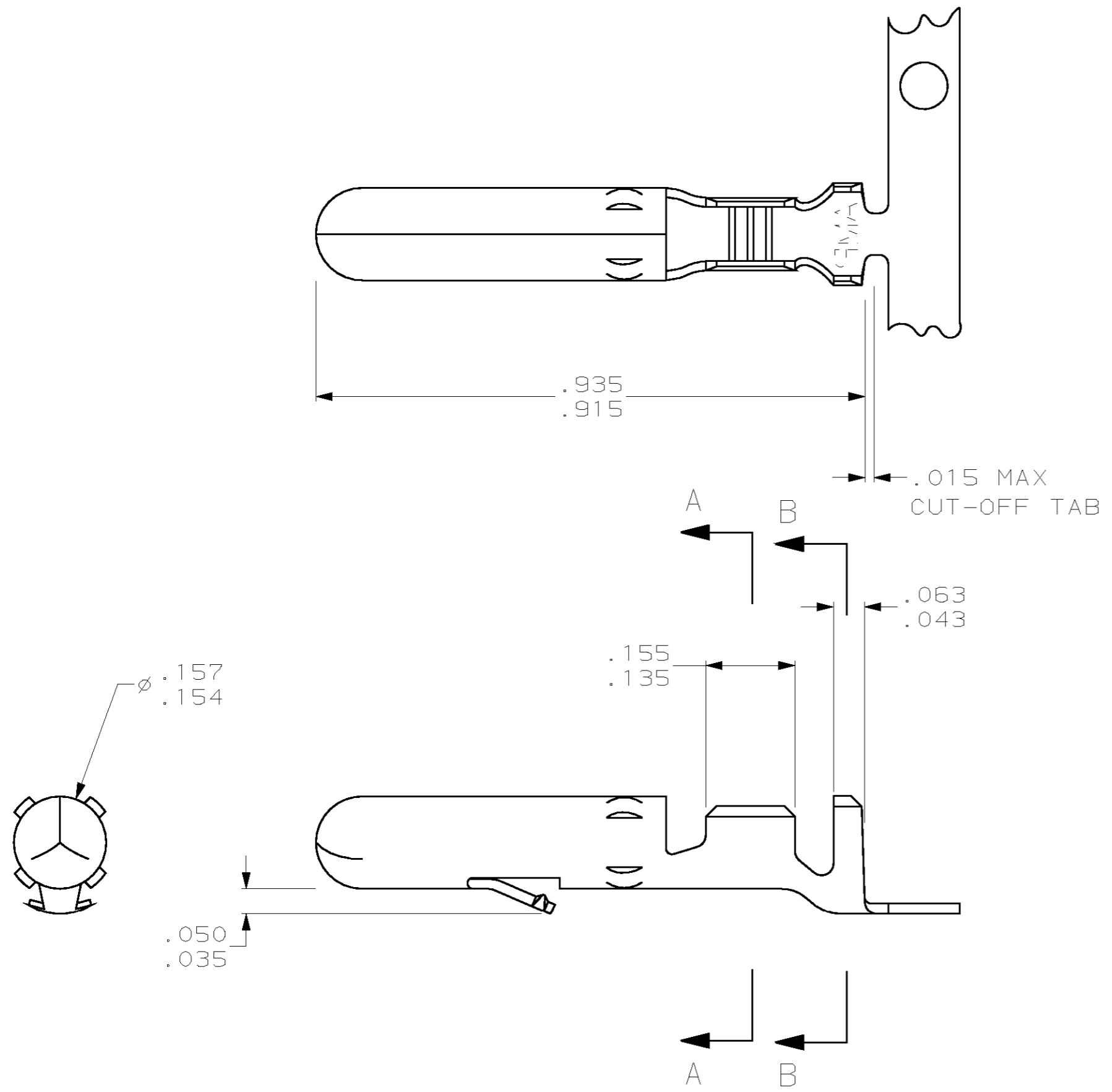


THIS DRAWING IS UNPUBLISHED. RELEASED FOR PUBLICATION .19
 © COPYRIGHT 19 BY AMP INCORPORATED. ALL RIGHTS RESERVED.

LOC	DIST	REVISIONS			
P	LTR	DESCRIPTION	DATE	DWN	APVD
CM	53	N	REVISED PER EC 063B-0079-00	21-FEB-00	KW SR

1. WIRE RANGE: 20-14 (0.5-2mm²) AWG
 INSULATION RANGE: .125 MAX.



PRELIMINARY	TIN	.018 PH BRZ	61086-3
	TIN	.018 BRASS	61086-1
	FINISH	MATERIAL	PART NO

IN	MM	IN	MM	IN	MM	IN	MM
.050	1.27	.139	3.53	.180	4.57	-	-
.043	1.09	.135	3.43	.165	4.19	-	-
.035	0.89	.130	3.30	.157	3.99	-	-
.018	0.46	.125	3.18	.156	3.96	.935	23.75
.015	0.38	.115	2.92	.155	3.94	.915	23.24
.005	0.13	.063	1.60	.154	3.91	.189	4.80
IN	MM	IN	MM	IN	MM	IN	MM

CONVERSION TABLE

METRIC

THIS DRAWING IS A CONTROLLED DOCUMENT.

DWN	J. HUFFMAN	9-12-96	AMP AMP Incorporated Harrisburg, PA 17105-3608
CHK	R. SWING	9-12-96	
APVD	C. MARTIN	9-12-96	
NAME			
DIMENSIONS:	TOLERANCES UNLESS OTHERWISE SPECIFIED:		PIN, .156 MATE-N-LOK™
INCHES	0 PLC ±- 1 PLC ±- 2 PLC ±- 3 PLC ±.005 4 PLC ±- ANGLES ±- FINISH SEE TABLE		
MATERIAL	SEE TABLE	SEE TABLE	SIZE: A2 CAGE CODE: 00779 DRAWING NO: C-61086
CUSTOMER DRAWING			SCALE: 5:1 SHEET: 1 OF 1 REV: N