

PART NUMBER	VERSION	PRODUCT SPECIFICATION	PLATING
95040-2881	STANDARD	PS 95040	2
95040-2889	HIGH TEMPERATURE	PS-95040-688	2
95040-4881	HIGH MATING CYCLES	PS-95040-001	7

NOTES:

1- MATERIAL :

HOUSING : POLYAMIDE 4/6 GLASS FILLED UL 94V0. COLOUR: BLACK
89992-0008

TERMINAL : PHOSPHOR BRONZE PLATED WITH :

PLATING 2 : 0.00127/.000050 MIN GOLD IN CONTACT AREA,
0.00190/.000075 MIN TIN IN TAIL AREA,
BOTH OVER 0.00127/.000050 MIN NICKEL OVERALL

PLATING 7 : POST PLATE 0.00005/.000002 MIN GOLD OVER 0.00076/.000030 MIN
PALLADIUM NICKEL IN CONTACT AREA 0.00190/.000075 MIN
TIN IN TAIL AREA BOTH OVER 0.00127/.000050 MIN NICKEL OVERALL.

SHIELD : BRASS PLATED WITH 0.0020/.000078 MIN. TIN

2- P.C. BOARD THICKNESS : 1.57/.062 ±0.15/.006

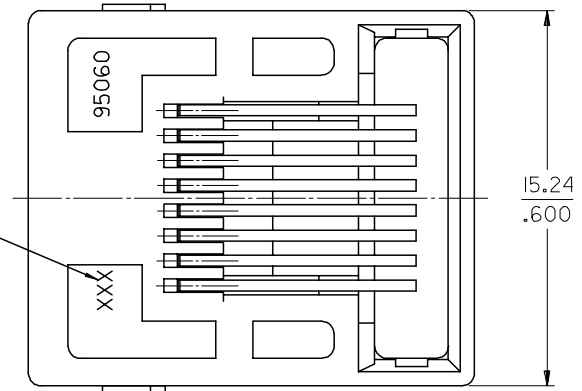
3- JACK FOR MATING WITH F.C.C. 68 PLUGS
95043 MOLEX SERIES.

4- PRODUCT SPECIFICATION: SEE CHART

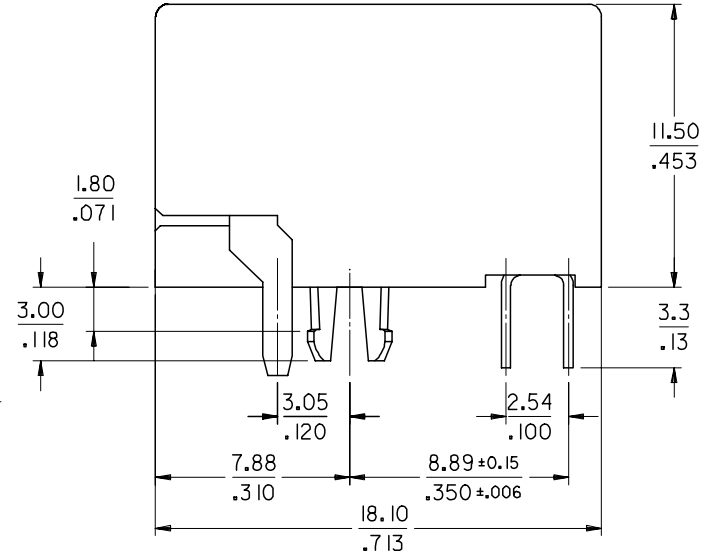
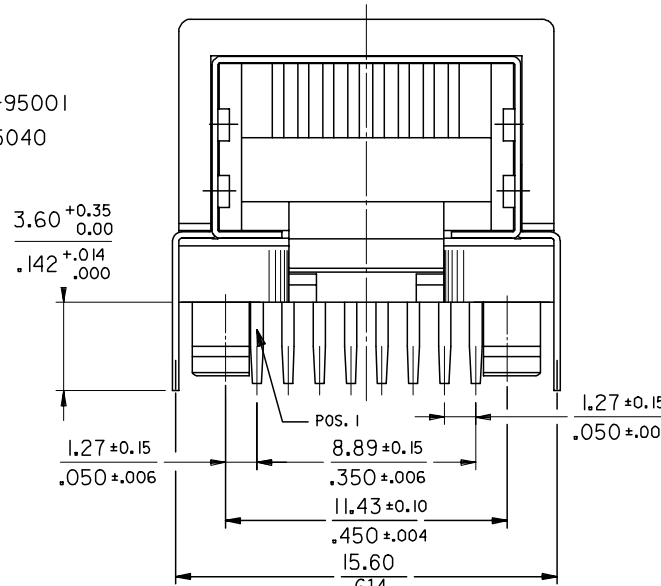
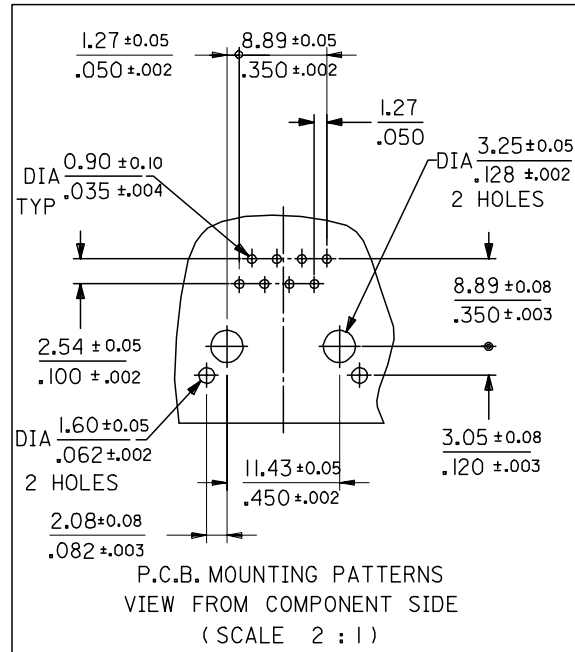
5- APPLICATION SPECIFICATION: MOLEX AS-95001

6- PACKAGING SPECIFICATION: MOLEX PK-95040

7- LOGO MAY BE MXF, MG OR MXI



SEE NOTE 7



MODIFIED SIDE WALLS EC NO: E2007-0681 DRWN:DBRYNES CHKD: APPR:EDMAHONY 2007/02/05 2007/02/05 2007/02/08	QUALITY SYMBOLS ▽=0 ▽=0	GENERAL TOLERANCES (UNLESS SPECIFIED) <table border="1"> <thead> <tr> <th></th> <th>mm</th> <th>INCH</th> </tr> </thead> <tbody> <tr> <td>4 PLACES</td> <td>± ---</td> <td>± ---</td> </tr> <tr> <td>3 PLACES</td> <td>± ---</td> <td>± .01</td> </tr> <tr> <td>2 PLACES</td> <td>± 0.25</td> <td>± .014</td> </tr> <tr> <td>1 PLACE</td> <td>± 0.35</td> <td>± ---</td> </tr> </tbody> </table>		mm	INCH	4 PLACES	± ---	± ---	3 PLACES	± ---	± .01	2 PLACES	± 0.25	± .014	1 PLACE	± 0.35	± ---	DIMENSION STYLE MM/IN	SCALE 5:1	DESIGN UNITS METRIC	THIRD ANGLE PROJECTION
		mm	INCH																		
	4 PLACES	± ---	± ---																		
	3 PLACES	± ---	± .01																		
2 PLACES	± 0.25	± .014																			
1 PLACE	± 0.35	± ---																			
DRAWN BY CB	DATE 89/04/12	TITLE RIGHT ANGLE LOW PROFILE SHIELDED PC JACK (THROUGH HOLE VERSION)		MOLEX INCORPORATED		SHEET NO. 1 OF 3															
CHECKED BY TB	DATE 89/04/12	MATERIAL NO. SEE CHART		DOCUMENT NO. SDA-95040		DRAFT WHERE APPLICABLE MUST REMAIN WITHIN DIMENSIONS															
APPROVED BY JB	DATE 89/04/12	THIS DRAWING CONTAINS INFORMATION THAT IS PROPRIETARY TO MOLEX INCORPORATED AND SHOULD NOT BE USED WITHOUT WRITTEN PERMISSION																			