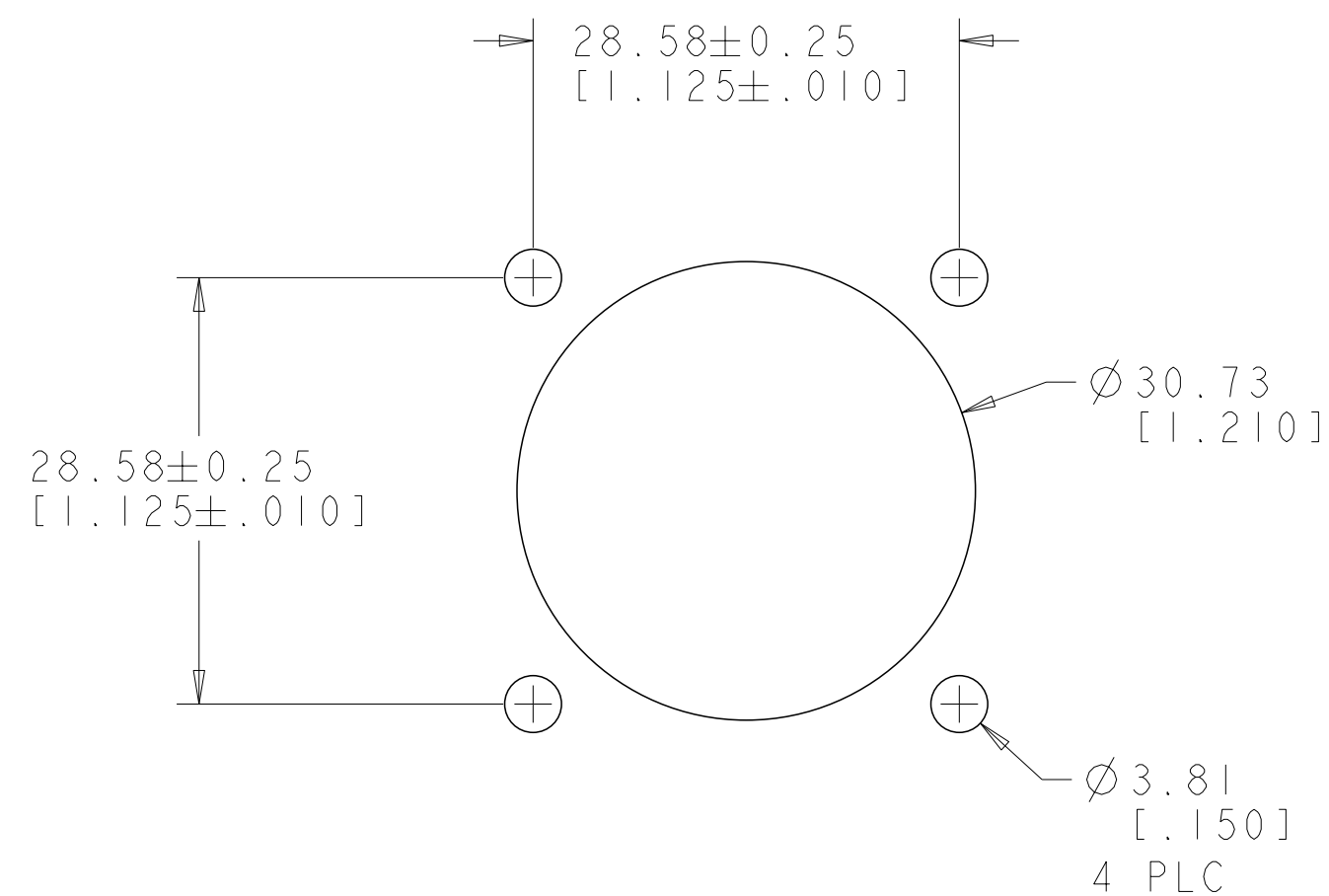
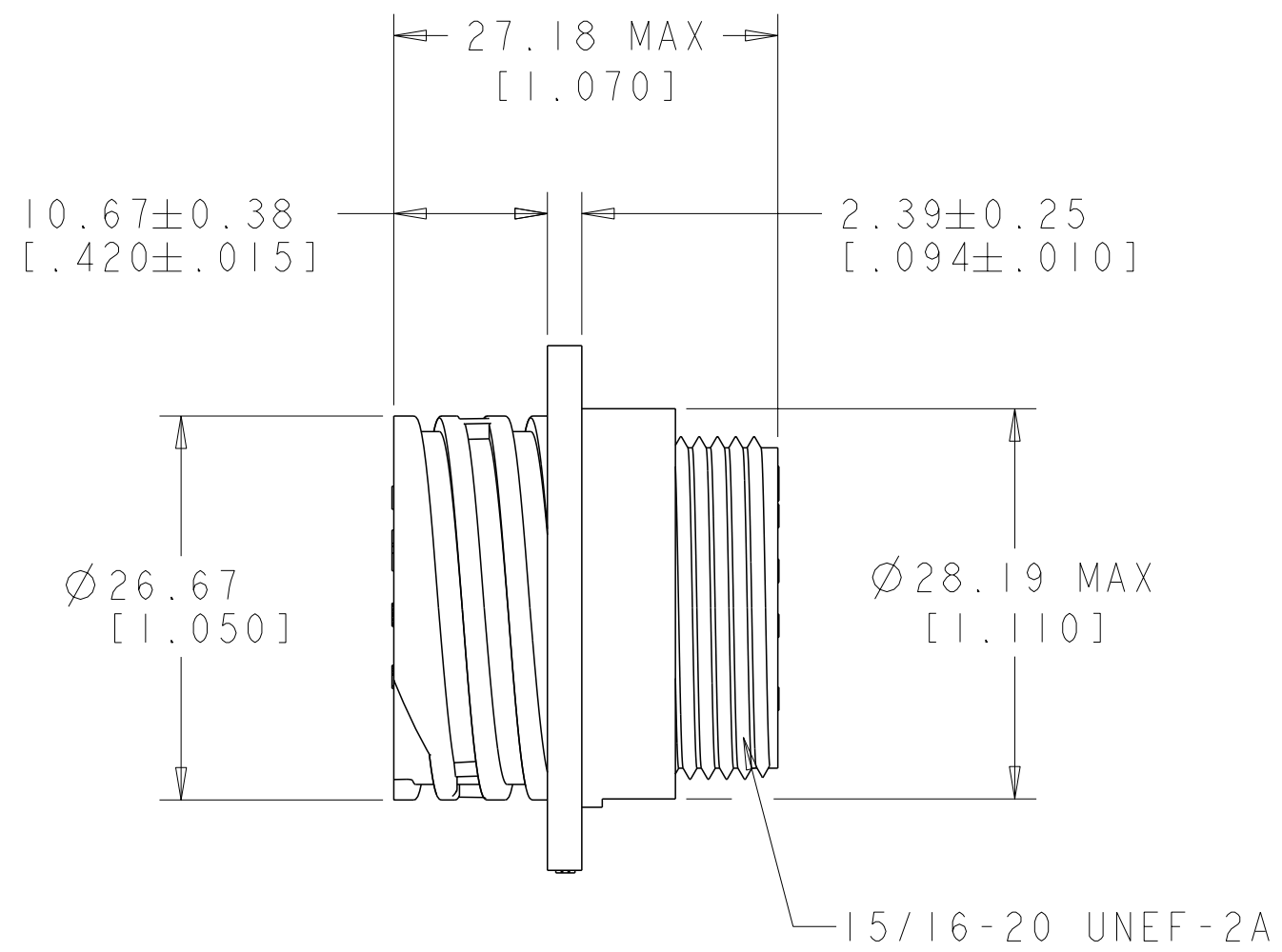
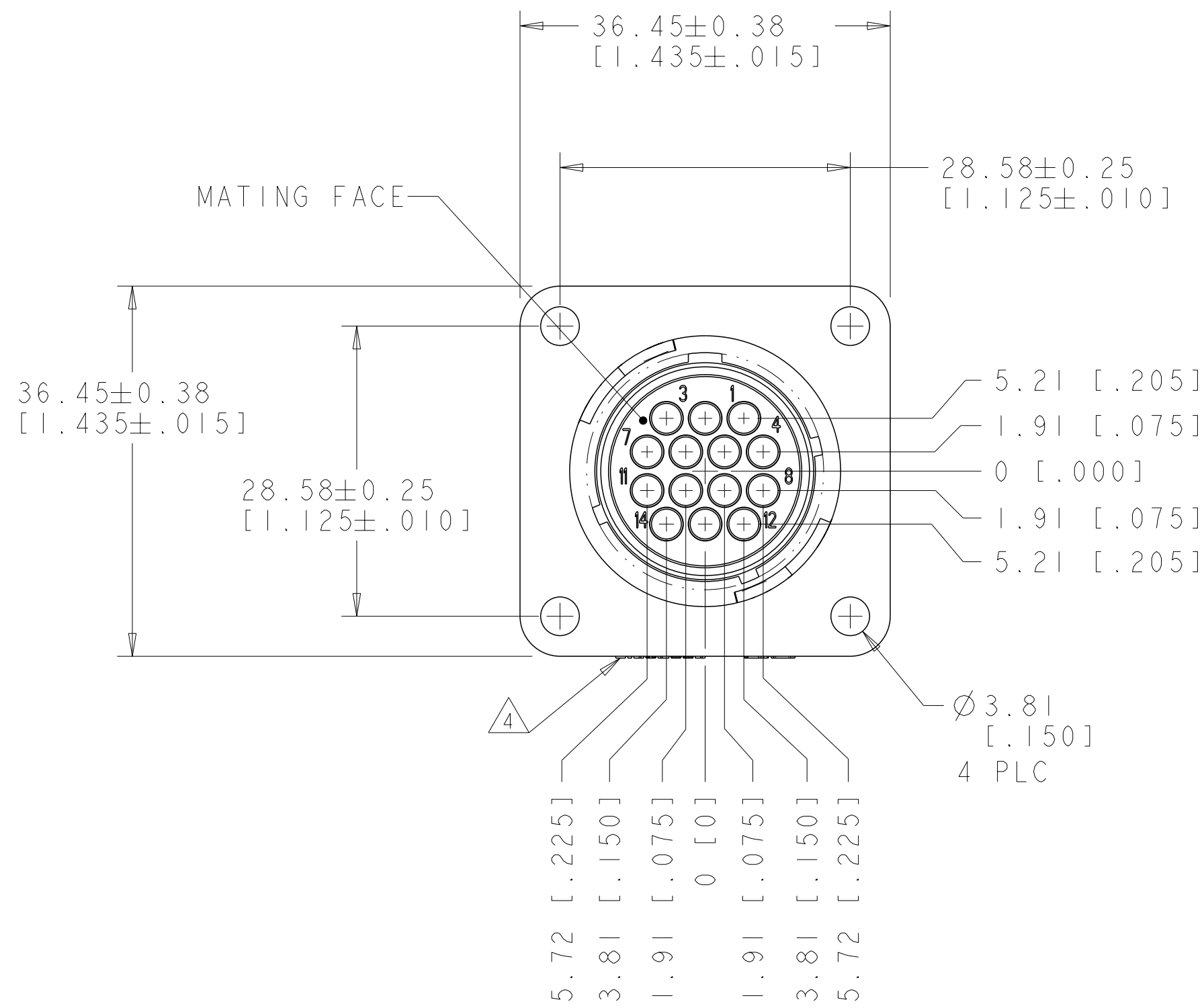


P	LTR	DESCRIPTION	DATE	DWN	APVD
C		REVISED PER ECO-21-006943	18OCT2021	RK	MZ



RECOMMENDED PANEL CUTOUT
3.18 [.125] MAX PANEL THICKNESS

- △ NYLON, BLACK.
- 2. HOUSING WILL ACCEPT 14 MULTIMATE SOCKET CONTACTS.
- 3. CAVITY IDENTIFICATION ON FRONT AND REAR FACE.
- △ TE LOGO AND PART NUMBER LOCATED ON ANY FLANGE EDGE

796437-2
PART NUMBER

THIS DRAWING IS A CONTROLLED DOCUMENT.		DWN S. WELDON 31MAR100	TE Connectivity															
DIMENSIONS: mm [INCHES]		CHK M. CHACKO 31MAR100																
TOLERANCES UNLESS OTHERWISE SPECIFIED:		APVD M. CHACKO 31MAR100	NAME RECEPTACLE HOUSING, SIZE 17-14, REVERSE SEX, CPC															
<table border="0"> <tr> <td>0 PLC</td> <td>±</td> </tr> <tr> <td>1 PLC</td> <td>±0.1</td> </tr> <tr> <td>2 PLC</td> <td>±0.02</td> </tr> <tr> <td>3 PLC</td> <td>±0.005</td> </tr> <tr> <td>4 PLC</td> <td>±0.0005</td> </tr> <tr> <td>ANGLES</td> <td>±</td> </tr> <tr> <td>FINISH</td> <td>-</td> </tr> </table>		0 PLC	±	1 PLC	±0.1	2 PLC	±0.02	3 PLC	±0.005	4 PLC	±0.0005	ANGLES	±	FINISH	-	PRODUCT SPEC -	SIZE A200779	
0 PLC	±																	
1 PLC	±0.1																	
2 PLC	±0.02																	
3 PLC	±0.005																	
4 PLC	±0.0005																	
ANGLES	±																	
FINISH	-																	
MATERIAL △		APPLICATION SPEC -	CAGE CODE C-796437	DRAWING NO -	RESTRICTED TO -													
		WEIGHT -	SCALE 2:1		SHEET 1 OF 1													
		CUSTOMER DRAWING		REV C														