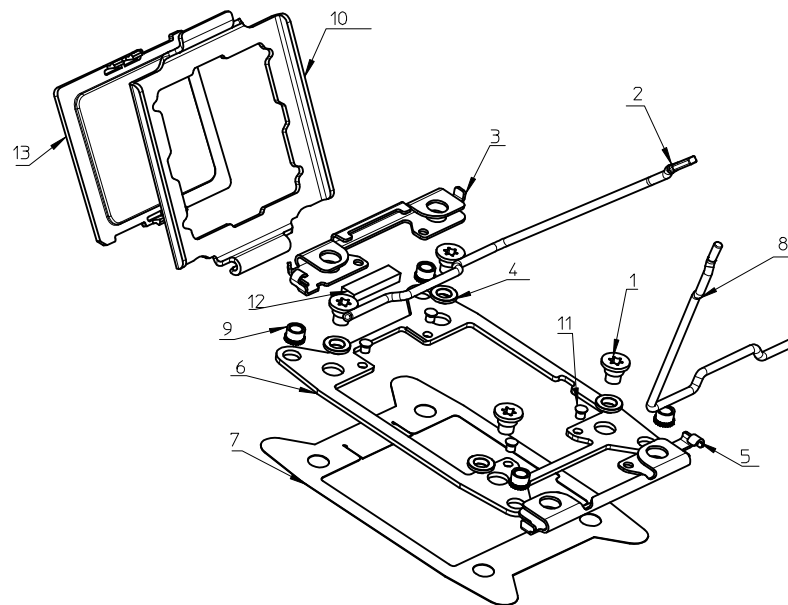
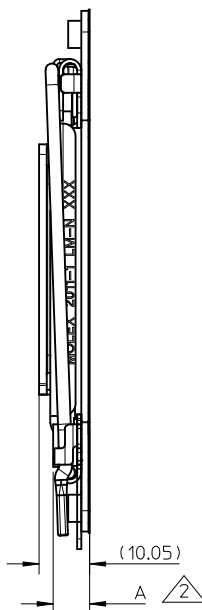
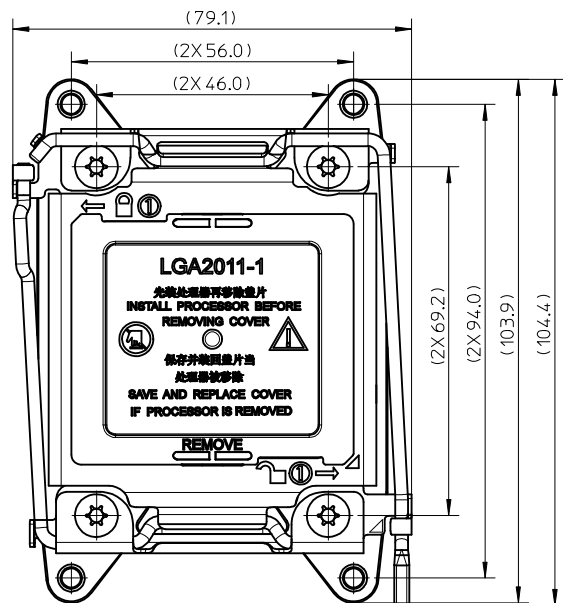


10 9 8 7 6 5 4 3 2 1



NOTES:  
 ▲ DATE CODE  
 ▲ DIMENSION A : ILM HEIGHT DEFINE

STATUS	HEIGHT
PER-ASSEMBLY	7.55±0.30
AFTER ASSEMBLY	7.23±0.30

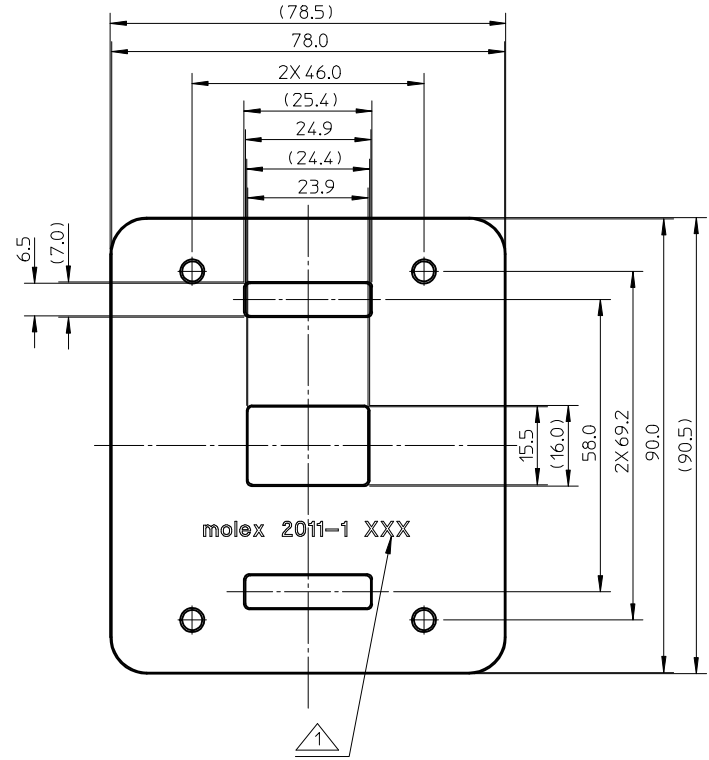
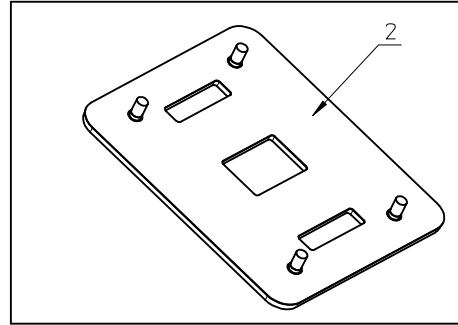
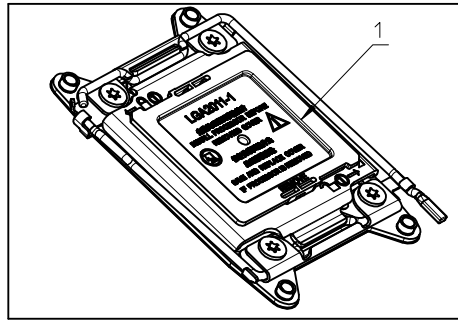
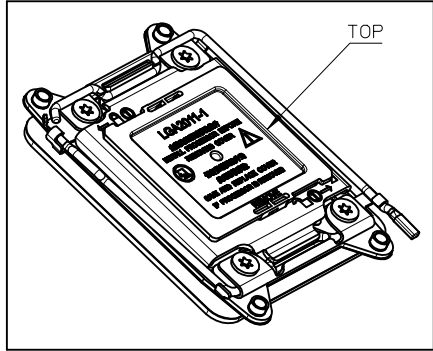
3.THE PARTS 105197\*\*\*\* COMPLIANT TO RoHS DIRECTIVE 2002/95/EC AND ELV 2000/53/EC.

TOP	COMPONENT				
	ITEM NO	Q'TY	PART NO.	DESCRIPTION	MATERIAL
LGA 2011-1 ILM ASSEMBLY (NARROW)  PART NO: 105197-1000	1	4	105143-8001	CAPTIVE NUT, SHOULDER(ø6-32 THREAD)	STEEL WITH NICKEL PLATING
	2	1	105198-0001	ILM ACTIVE LEVER	STAINLESS STEEL
	3	4	105143-8003	ILM CAPTIVE NUT COLLAR, SHOULDER	STEEL WITH NICKEL PLATING
	4	1	105198-0002	ILM CLEVIS, ACTIVE	STAINLESS STEEL
	5	1	105198-0003	ILM CLEVIS, HINGE	STAINLESS STEEL
	6	1	105198-0005	ILM FRAME	STEEL WITH NICKEL PLATING
	7	1	105198-0006	ILM FRAME INSULATOR	HALOGEN FREE POLYCARBONATE SHEET
	8	1	105198-0007	ILM HINGE LEVER	STAINLESS STEEL
	9	4	105143-8010	ILM HS STUD (M4 X 0.7MM THREAD)	STEEL WITH NICKEL PLATING
	10	1	105198-0008	ILM LOADPLATE	STAINLESS STEEL
	11	4	105143-8012	ILM RIVET	STAINLESS STEEL
	12	1	105198-0009	ILM SILICON BUMPER	COHRLASTIC
	13	1	105198-0004	ILM COVER	POLYCARBONATE

<b>PROPOSED</b> EC NO: SH2015-0083 DRWN:YXZHENG 2012/07/24 CHKD:AYIN 2012/07/24 APPR:AYIN 2014/09/02	QUALITY SYMBOLS	GENERAL TOLERANCES (UNLESS SPECIFIED)	DIMENSION STYLE MM ONLY	SCALE 1:1	DESIGN UNITS METRIC	THIRD ANGLE PROJECTION	
	$F_{A/0}$ $F_{G/0}$ $F_{P/0}$	mm INCH 4 PLACES ± --- ± --- 3 PLACES ± --- ± --- 2 PLACES ± 0.2 ± --- 1 PLACE ± 0.3 ± --- 0 PLACE ± --- ± ---	DRAWN BY DATE YXZHENG 2012/07/24 CHECKED BY DATE AYIN 2012/07/24 APPROVED BY DATE AYIN 2014/09/02	TITLE	ILM AND BACK PLATE DRAWING FOR LGA 2011-1 SOCKET R1(NARROW)		
	ANGULAR ± 3 ° DRAFT WHERE APPLICABLE MUST REMAIN WITHIN DIMENSIONS	MATERIAL NO. SEE TABLE	DOCUMENT NO. SD-105197-001	<b>molex</b>			
	REV 1	SIZE A3	THIS DRAWING CONTAINS INFORMATION THAT IS PROPRIETARY TO MOLEX INCORPORATED AND SHOULD NOT BE USED WITHOUT WRITTEN PERMISSION				

9 8 7 6 5 4 3 2 1

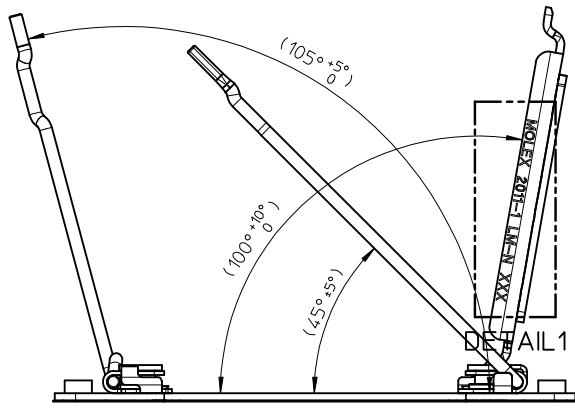
10 9 8 7 6 5 4 3 2 1



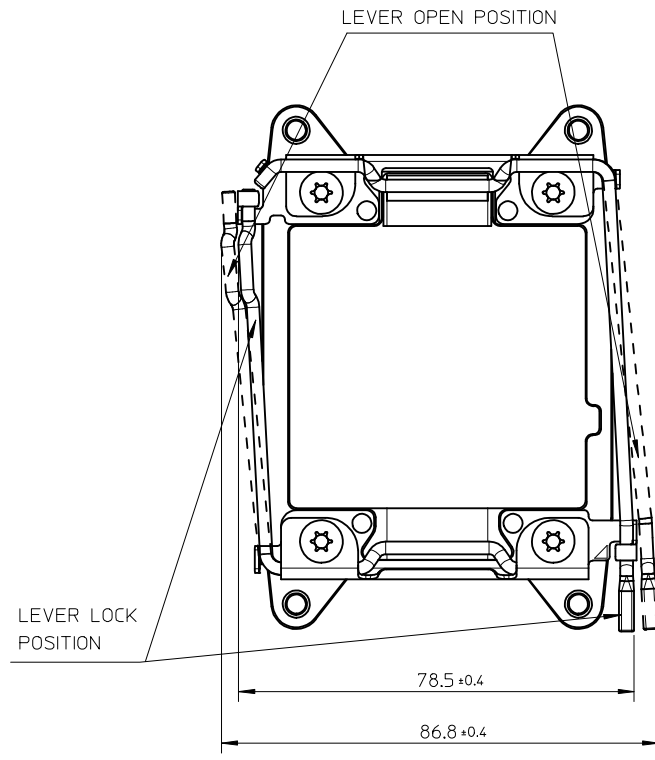
Q'T	ITEM NO	PART NO.	DESCRIPTION
1	TOP	105197-3000	LGA 2011-1 ILM ASSEMBLY WITH ILM COVER AND BACK PLATE ASSEMBLY
1	1	105197-1000	LGA2011-1 ILM ASSEMBLY WITH ILM COVER
1	2	105197-2000	LGA2011-1 BACK PLATE ASSEMBLY

PROPOSED EC NO: SHZ015-0083 DRWN: YXZHENG CHKD: AYIN APPR: AYIN	2012/07/24 2012/07/24 2014/09/02	DESCRIPTION QUALITY SYMBOLS $F_A=0$ $F_G=0$ $F_P=0$	GENERAL TOLERANCES (UNLESS SPECIFIED)		DIMENSION STYLE MM ONLY		SCALE 1:1	DESIGN UNITS METRIC	THIRD ANGLE PROJECTION	
					mm      INCH	DRAWN BY YXZHENG	DATE 2012/07/24	TITLE ILM AND BACK PLATE DRAWING FOR LGA 2011-1 SOCKET R1(NARROW) <b>molex</b> MATERIAL NO.      DOCUMENT NO.      SHEET NO. SEE TABLE      SD-105197-001      2 OF 3		
				4 PLACES    ± ---    ± --- 3 PLACES    ± ---    ± --- 2 PLACES    ± 0.2    ± --- 1 PLACE     ± 0.3    ± --- 0 PLACE     ± ---    ± ---	CHECKED BY AYIN	DATE 2012/07/24				
				ANGULAR ± 3 ° DRAFT WHERE APPLICABLE MUST REMAIN WITHIN DIMENSIONS	APPROVED BY AYIN	DATE 2014/09/02				
1	REV		SIZE A3		THIS DRAWING CONTAINS INFORMATION THAT IS PROPRIETARY TO MOLEX INCORPORATED AND SHOULD NOT BE USED WITHOUT WRITTEN PERMISSION					

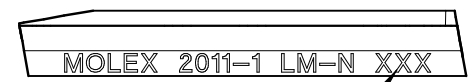
9 8 7 6 5 4 3 2 1



ILM OPEN ANGLE REFERENCE ONLY



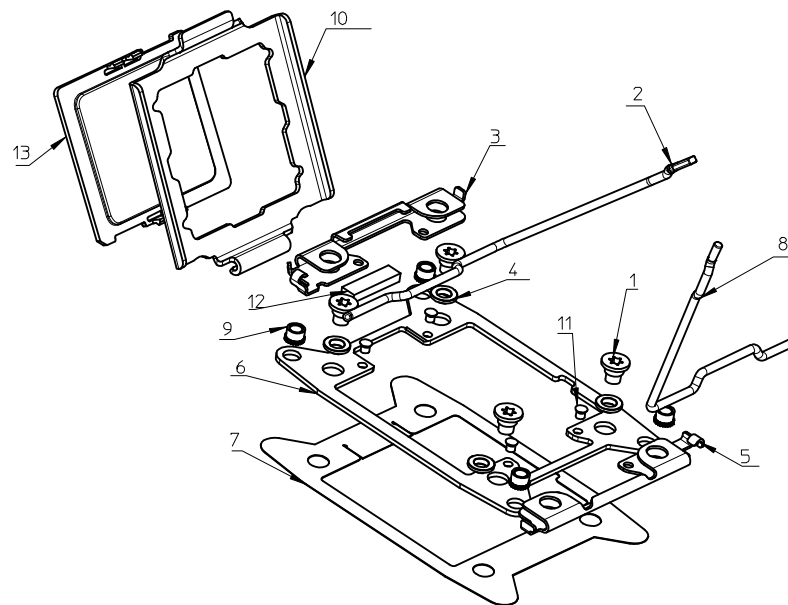
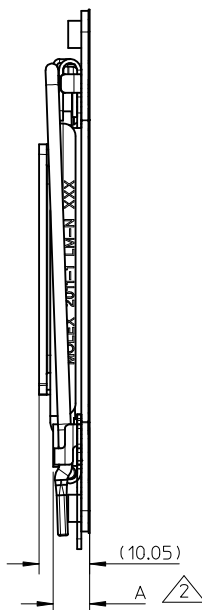
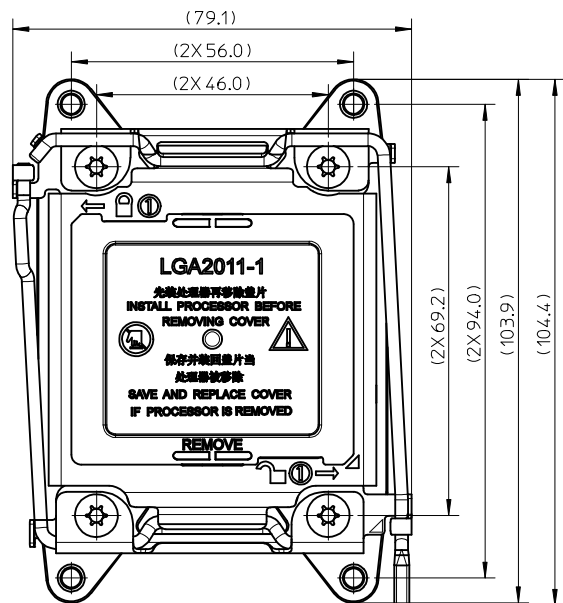
LEVER LOCK AND UNLOCK POSOTION REFERENCE ONLY



DETAIL 1

PROPOSED EC NO: SHZ015-0083 DRWN: YXZHENG CHKD: AYIN APPR: AYIN	2012/07/24 2012/07/24 2014/09/02	QUALITY SYMBOLS $F_A=0$ $F_G=0$ $F_P=0$	GENERAL TOLERANCES (UNLESS SPECIFIED)		DIMENSION STYLE MM ONLY		SCALE 1:1	DESIGN UNITS METRIC	THIRD ANGLE PROJECTION		
				mm	INCH	DRAWN BY YXZHENG	DATE 2012/07/24	TITLE ILM AND BACK PLATE DRAWING FOR LGA 2011-1 SOCKET R1(NARROW)			
				4 PLACES	± ---	± ---	CHECKED BY AYIN				
				3 PLACES	± ---	± ---	APPROVED BY AYIN	DATE 2014/09/02	MATERIAL NO. SEE TABLE		DOCUMENT NO. SD-105197-001
			2 PLACES	± 0.2	± ---	THIS DRAWING CONTAINS INFORMATION THAT IS PROPRIETARY TO MOLEX INCORPORATED AND SHOULD NOT BE USED WITHOUT WRITTEN PERMISSION					
			1 PLACE	± 0.3	± ---						
			0 PLACE	± ---	± ---						
			ANGULAR ± 3 °								
			DRAFT WHERE APPLICABLE MUST REMAIN WITHIN DIMENSIONS								

10 9 8 7 6 5 4 3 2 1



NOTES:  
 ▲ DATE CODE  
 ▲ DIMENSION A : ILM HEIGHT DEFINE

STATUS	HEIGHT
PER-ASSEMBLY	7.55±0.30
AFTER ASSEMBLY	7.23±0.30

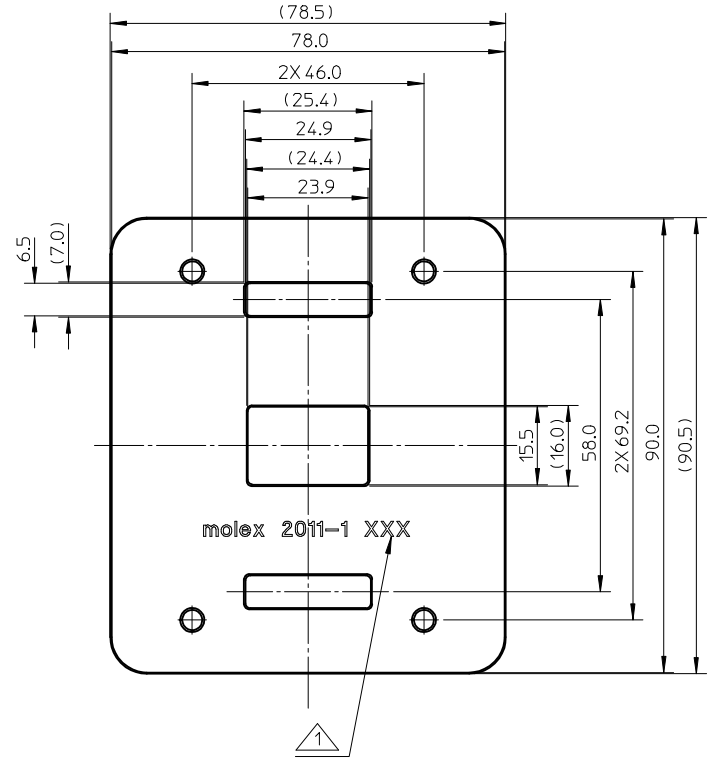
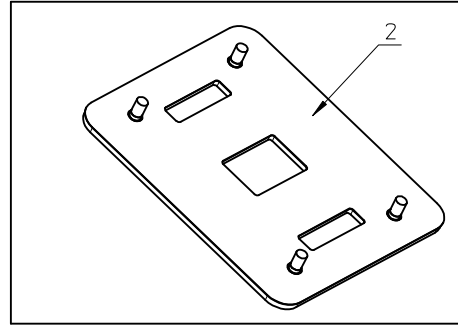
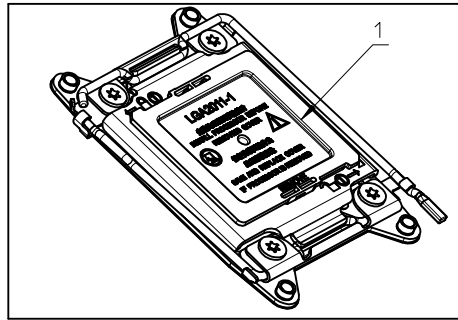
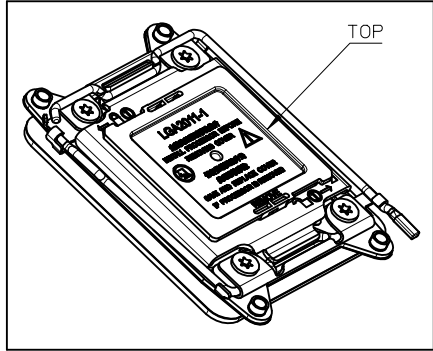
3.THE PARTS 105197\*\*\*\* COMPLIANT TO RoHS DIRECTIVE 2002/95/EC AND ELV 2000/53/EC.

TOP	COMPONENT				
	ITEM NO	Q'TY	PART NO.	DESCRIPTION	MATERIAL
LGA 2011-1 ILM ASSEMBLY (NARROW)  PART NO: 105197-1000	1	4	105143-8001	CAPTIVE NUT, SHOULDER(ø6-32 THREAD)	STEEL WITH NICKEL PLATING
	2	1	105198-0001	ILM ACTIVE LEVER	STAINLESS STEEL
	3	4	105143-8003	ILM CAPTIVE NUT COLLAR, SHOULDER	STEEL WITH NICKEL PLATING
	4	1	105198-0002	ILM CLEVIS, ACTIVE	STAINLESS STEEL
	5	1	105198-0003	ILM CLEVIS, HINGE	STAINLESS STEEL
	6	1	105198-0005	ILM FRAME	STEEL WITH NICKEL PLATING
	7	1	105198-0006	ILM FRAME INSULATOR	HALOGEN FREE POLYCARBONATE SHEET
	8	1	105198-0007	ILM HINGE LEVER	STAINLESS STEEL
	9	4	105143-8010	ILM HS STUD (M4 X 0.7MM THREAD)	STEEL WITH NICKEL PLATING
	10	1	105198-0008	ILM LOADPLATE	STAINLESS STEEL
	11	4	105143-8012	ILM RIVET	STAINLESS STEEL
	12	1	105198-0009	ILM SILICON BUMPER	COHRLASTIC
	13	1	105198-0004	ILM COVER	POLYCARBONATE

<b>PROPOSED</b> EC NO: SH2015-0083 DRWN:YXZHENG 2012/07/24 CHKD:AYIN 2012/07/24 APPR:AYIN 2014/09/02	QUALITY SYMBOLS $F_{A'}=0$ $F_{G'}=0$ $F_{P'}=0$	GENERAL TOLERANCES (UNLESS SPECIFIED) mm INCH 4 PLACES ± --- ± --- 3 PLACES ± --- ± --- 2 PLACES ± 0.2 ± --- 1 PLACE ± 0.3 ± --- 0 PLACE ± --- ± ---	DIMENSION STYLE <b>MM ONLY</b> DRAWN BY: YXZHENG DATE: 2012/07/24 CHECKED BY: AYIN DATE: 2012/07/24 APPROVED BY: AYIN DATE: 2014/09/02	SCALE: 1:1 DESIGN UNITS: METRIC THIRD ANGLE PROJECTION	TITLE: ILM AND BACK PLATE DRAWING FOR LGA 2011-1 SOCKET R1(NARROW) <b>molex</b>
		ANGULAR ± 3 ° DRAFT WHERE APPLICABLE MUST REMAIN WITHIN DIMENSIONS	MATERIAL NO.: SEE TABLE DOCUMENT NO.: SD-105197-001 SHEET NO.: 1 OF 3		
		THIS DRAWING CONTAINS INFORMATION THAT IS PROPRIETARY TO MOLEX INCORPORATED AND SHOULD NOT BE USED WITHOUT WRITTEN PERMISSION			
		SIZE: A3			

9 8 7 6 5 4 3 2 1

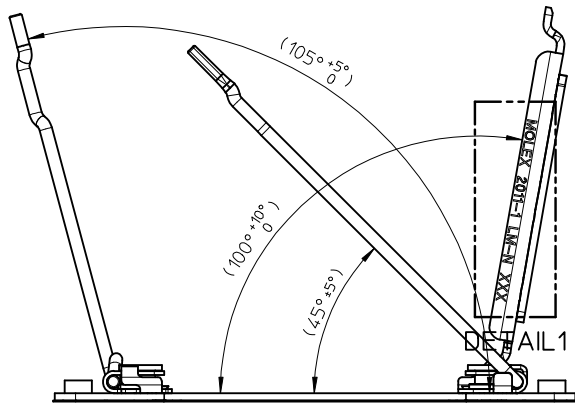
10 9 8 7 6 5 4 3 2 1



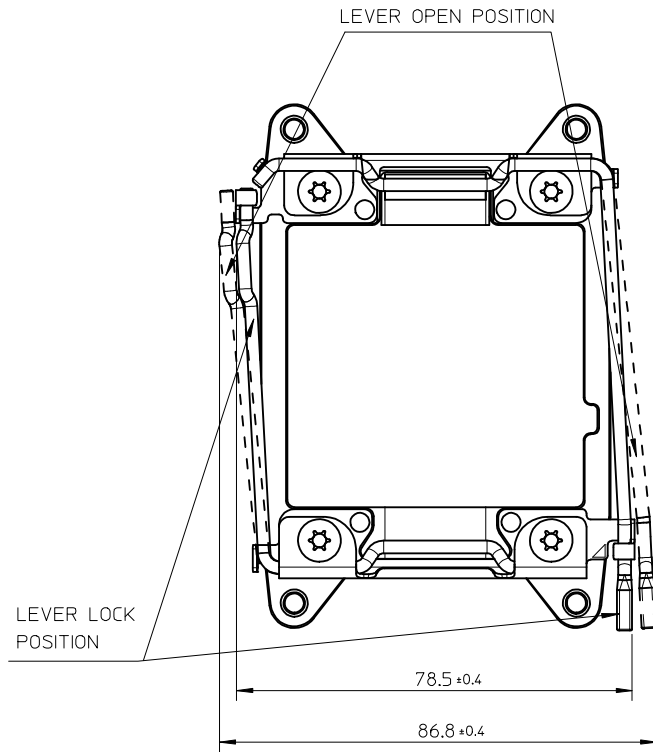
Q'T	ITEM NO	PART NO.	DESCRIPTION
1	TOP	105197-3000	LGA 2011-1 ILM ASSEMBLY WITH ILM COVER AND BACK PLATE ASSEMBLY
1	1	105197-1000	LGA2011-1 ILM ASSEMBLY WITH ILM COVER
1	2	105197-2000	LGA2011-1 BACK PLATE ASSEMBLY

<b>PROPOSED</b> EC NO: SHZ015-0083 DRWN: YXZHENG CHKD: AYIN APPR: AYIN	2012/07/24 2012/07/24 2014/09/02	DESCRIPTION QUALITY SYMBOLS $F_A=0$ $F_G=0$ $F_P=0$	GENERAL TOLERANCES (UNLESS SPECIFIED)		DIMENSION STYLE <b>MM ONLY</b>		SCALE <b>1:1</b>	DESIGN UNITS <b>METRIC</b>	THIRD ANGLE PROJECTION	
			mm	INCH	DRAWN BY YXZHENG	DATE 2012/07/24	TITLE <b>ILM AND BACK PLATE                  DRAWING FOR LGA 2011-1                  SOCKET R1(NARROW)</b>  <b>molex</b>  DOCUMENT NO. SD-105197-001 SHEET NO. 2 OF 3			
			4 PLACES	± --- ± ---	CHECKED BY AYIN	DATE 2012/07/24				
			3 PLACES	± --- ± ---	APPROVED BY AYIN	DATE 2014/09/02				
		2 PLACES	± 0.2 ± ---							
		1 PLACE	± 0.3 ± ---							
		0 PLACE	± --- ± ---							
		ANGULAR ± 3 °								
		DRAFT WHERE APPLICABLE MUST REMAIN WITHIN DIMENSIONS								
				SEE TABLE						
				MATERIAL NO.						
				SIZE A3		THIS DRAWING CONTAINS INFORMATION THAT IS PROPRIETARY TO MOLEX INCORPORATED AND SHOULD NOT BE USED WITHOUT WRITTEN PERMISSION				

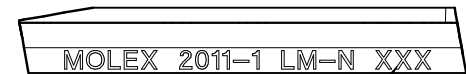
9 8 7 6 5 4 3 2 1



ILM OPEN ANGLE REFERENCE ONLY



LEVER LOCK AND UNLOCK POSITION REFERENCE ONLY



DETAIL 1

PROPOSED EC NO: SHZ015-0083 DRWN: YXZHENG CHKD: AYIN APPR: AYIN	2012/07/24 2012/07/24 2014/09/02	DESCRIPTION REV	QUALITY SYMBOLS $F_A=0$ $F_G=0$ $F_P=0$	GENERAL TOLERANCES (UNLESS SPECIFIED) mm    INCH 4 PLACES ± --- ± --- 3 PLACES ± --- ± --- 2 PLACES ± 0.2 ± --- 1 PLACE ± 0.3 ± --- 0 PLACE ± --- ± --- ANGULAR ± 3 ° DRAFT WHERE APPLICABLE MUST REMAIN WITHIN DIMENSIONS	DIMENSION STYLE MM ONLY DRAWN BY: YXZHENG    DATE: 2012/07/24 CHECKED BY: AYIN    DATE: 2012/07/24 APPROVED BY: AYIN    DATE: 2014/09/02	SCALE: 1:1 DESIGN UNITS: METRIC THIRD ANGLE PROJECTION	TITLE ILM AND BACK PLATE DRAWING FOR LGA 2011-1 SOCKET R1(NARROW)	MATERIAL NO. SEE TABLE	DOCUMENT NO. SD-105197-001	SHEET NO. 3 OF 3	
	1				SIZE: A3 THIS DRAWING CONTAINS INFORMATION THAT IS PROPRIETARY TO MOLEX INCORPORATED AND SHOULD NOT BE USED WITHOUT WRITTEN PERMISSION						