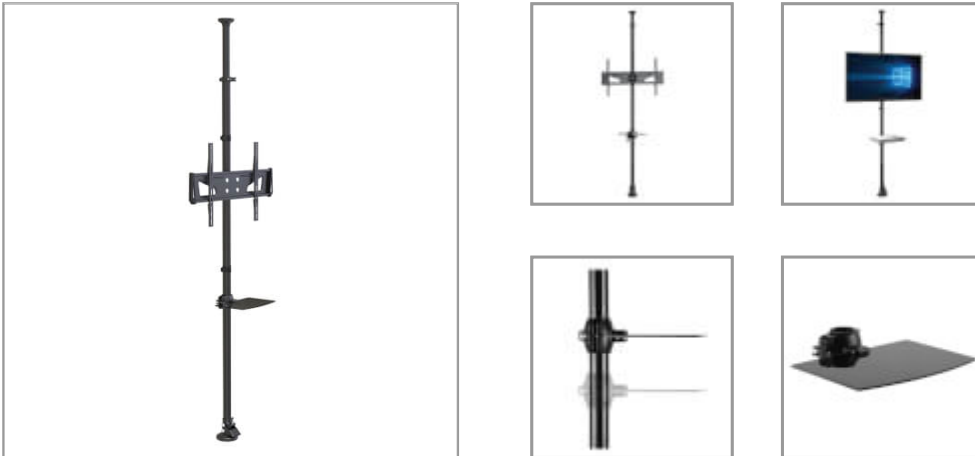


## Floor-to-Ceiling Mount for 32" to 65" TVs and Monitors - Height Adjustable, Shelf for A/V Source

MODEL NUMBER: DMFC3265M



An adjustable-height support pole provides flexible screen placement in rooms with up to 12-foot ceilings. Includes A/V source shelf.

### Features

**Floor-to-Ceiling Mount Works in Almost Any Room with a Ceiling up to 12-ft. (3.66 m) High**The DMFC3265M mount offers flexible screen placement in rooms where installing a display mount on a wall is not possible or desirable. Made of steel with a black powder-coated finish, the support pole has telescoping adjustment to mount in rooms with solid ceilings from 6.8-ft. (2.07 m) to 12-ft. (3.66 m) high. A pressure clamp at the base secures the pole. As long as you have access to power, you can mount the support pole anywhere in the room. Pole diameter is approximately 1.7 inches; the top telescoping section is slightly narrower.

**Easily Mount a 32" to 65" Display and Adjust the Viewing Angle**Mount the display bracket to the support pole at the best height for your application. Designed for flat-panel displays from 32 to 65 inches, the DMFC3265M supports the following VESA mounting hole patterns: 100 x 100, 100 x 200, 200 x 200, 200 x 300, 200 x 400, 300 x 200, 300 x 300, 300 x 400, 400 x 200, 400 x 300, 400 x 400, 500 x 200, 500 x 300, 500 x 400, 600 x 300 and 600 x 400. Maximum supported weight is 55 lbs (24.9 kgs). The mount offers -3° to +3° screen level adjustment and ±180° swivel to improve the viewing angle for the audience.

**Store Your Video Source on the Convenient Height-Adjustable Shelf**The shelf mounts to the support pole at a height of your choosing. It provides a convenient place for your laptop, DVD or Blu-ray player or other video source. The shelf is 11 x 7.8 inches and supports up to 11 lbs (4.9 kgs). Cable guides route cords along the pole to reduce clutter.

**Keep the Mount Portable or Choose Permanent Installation**Perfect for temporary digital signage, the DMFC3265M does not require permanent mounting. When needs change, it can be moved without damaging the ceiling or floor. You also have the option of securing the pole to a permanently mounted floor anchor (included).

### Highlights

- Accommodates flat-panel displays from 32 to 65 in. and up to 55 lbs (24.9 kgs)
- Support pole adjusts for ceilings up to 12-ft. (3.66 m) high
- Pressure clamp at the floor holds mount in place
- Shelf supports a laptop, Blu-ray player or other component up to 11 lbs (4.9 kgs)
- Option for mounting to a permanent floor anchor

### Applications

- Show video in a multipurpose area not equipped with A/V equipment
- Create temporary digital signage in a retail environment
- Mount an extra screen in a lobby for a special event
- Move a screen to a different corner as seating arrangements change in a living room or conference room
- Add a screen to a classroom without drilling holes for a wall-mount display

### Package Includes

- All DMFC3265M components (some assembly required)
- Assembly fasteners
- Display mounting fasteners
- Hex keys
- Owner's manual

## Specifications

### OVERVIEW

UPC Code	037332239396
Device Compatibility	Monitor/HDTV
<b>PHYSICAL</b>	
Color	Black
Material of Construction	Steel
VESA Pattern (mm)	100x100; 100x200; 200x200; 200x300; 200x400; 300x200; 300x300; 300x400; 400x200; 400x300; 400x400; 500x200; 500x300; 500x400; 600x300; 600x400
Mounting Location	Floor
Maximum Weight Capacity (lbs.)	88
Maximum Weight Capacity (kg)	40
Number of Displays	1
Shipping Dimensions (hwd / in.)	5.10 x 9.10 x 84.60
Shipping Dimensions (hwd / cm)	12.95 x 23.11 x 214.88
Shipping Weight (lbs.)	21.40
Shipping Weight (kg)	9.71
Unit Dimensions (hwd / in.)	149.600 x 28.300 x 7.870
Unit Dimensions (hwd / cm)	379.98 x 71.8 x 19.99
Unit Weight (lbs.)	16.7
Unit Weight (kg)	7.57
<b>FEATURES &amp; SPECIFICATIONS</b>	
Cord Management	No
Tools Necessary	Yes
Security Lock	No
<b>WARRANTY &amp; SUPPORT</b>	
Product Warranty Period (Worldwide)	5-year limited warranty