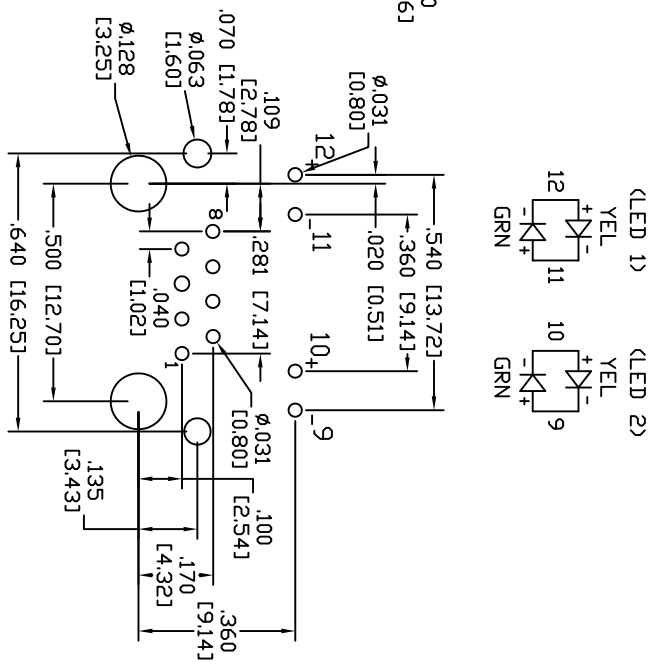
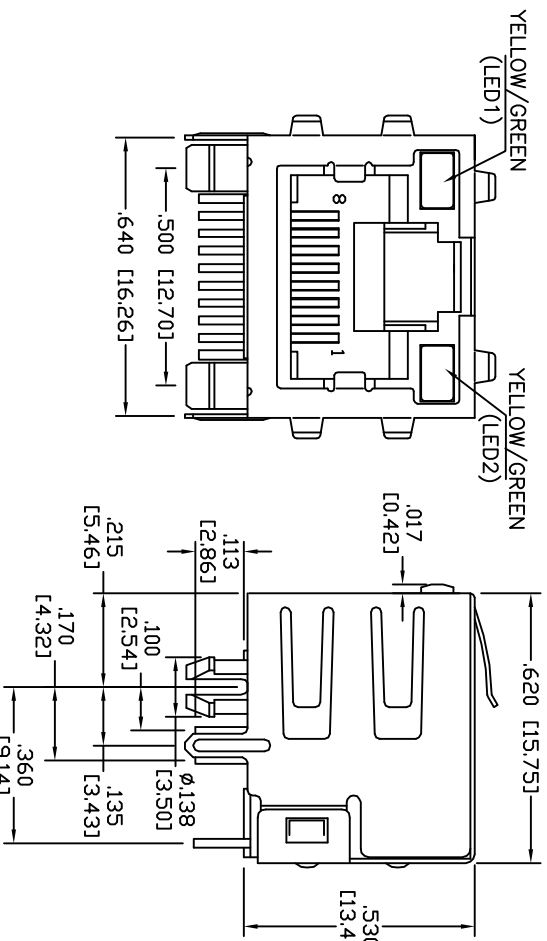


APPROVED: _____
 DATE: _____ TITLE: _____

Rev	AWO #	Description	Date	Appr
-		RELEASED	8/19/13	
A		ADDED LED DIRECTION	6/12/14	AYL/W



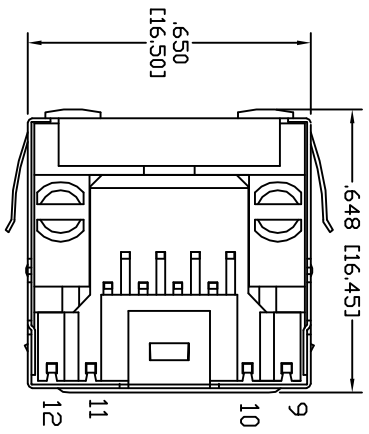
RECOMMENDED PCB LAYOUT

X	PLATING
0	15 uin Gold
1	30 uin Gold
2	50 uin Gold

SPECIFICATIONS:
Material:
 Insulator: PBT, rated UL 94V-0
 Insulator color: Black
 Contacts: Phosphor Bronze
 Shield: Brass, Nickel plated
Plating:
 Gold flash over Nickel underplate on contact area,
 Tin over copper underplate on solder tails.
 (See chart for thickness)

Electrical:
 Operating voltage: 125 VAC max
 Current rating: 1.5 Amps max
 Contact resistance: 20 mohms max.
 Insulation resistance: 1000 Mohms min @ 500 VDC
 Dielectric withstanding voltage: 1,000 VAC for 1 minute

Temperature Rating:
 Operating temperature: -40°C to +85°C
Environmental:
 Lead free, RoHS compliant.



ADAM TECH

909 Rahway Avenue, Union, NJ 07083
 Phone: 908-687-5000 Fax: 908-687-0214

TITLE: MODULAR JACK GANGED, 1 PORT, 8P8C
 W/ LED YELLOW/GREEN

UNLESS OTHERWISE SPECIFIED ALL DIMENSIONS ARE MM [INCHES] TOLERANCES: EXCEPT AS NOTED		DRAWN: AY		DATE: 8/19/13	
INCHES: .X ±.10, .XX ±.020, .XXX ±.015		HOLE: .X ±.10, .XX ±.015, .XXX ±.010		DATE: 8/19/13	
APPROVALS:		CHECKED: AH		DATE: 8/19/13	
APPROVED:		SIZE: X		PART NO.: MTJ-88ARX1-FSM-PG-LP	
REF: S0003C		SCALE: NTS		SHEET 1 OF 1	

