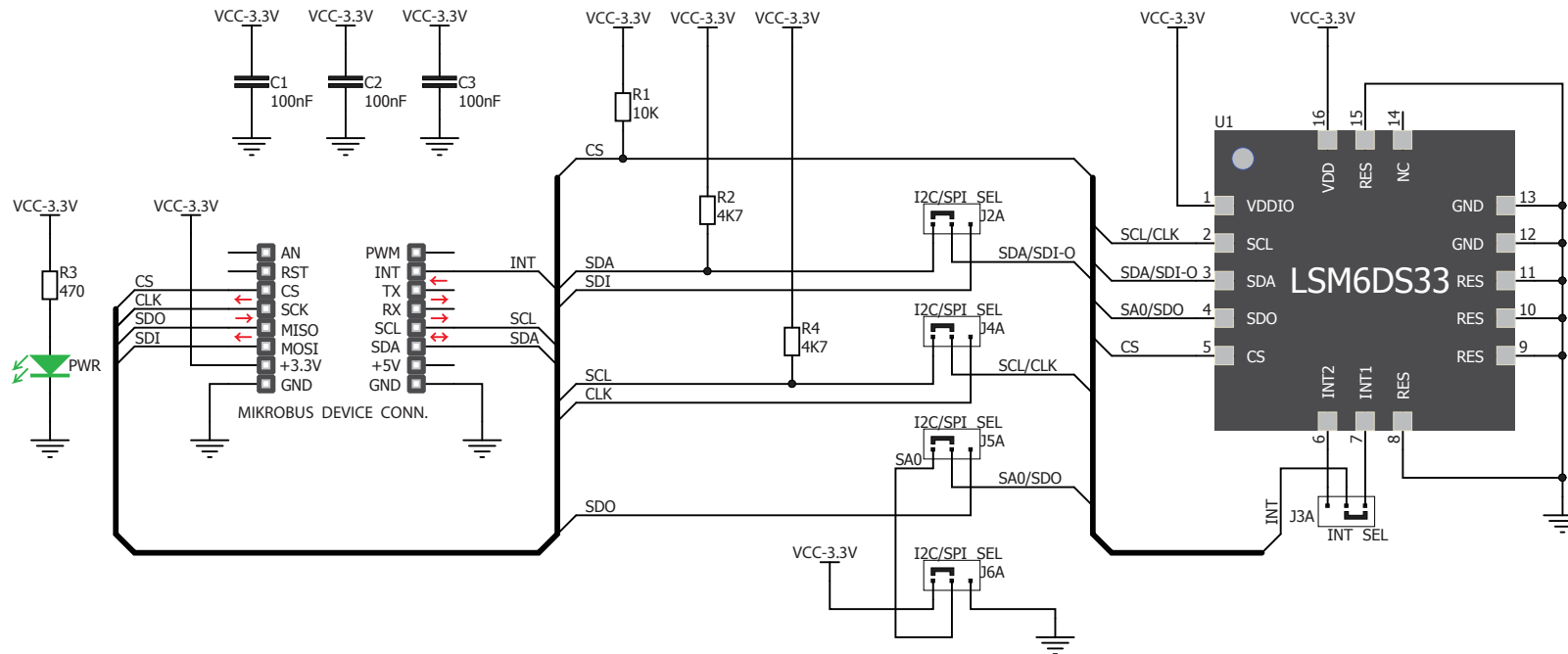


6DOF IMU click schematic v200



www.mikroe.com