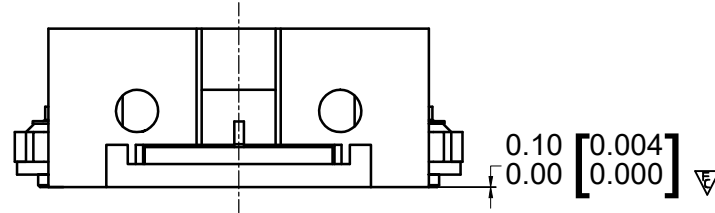
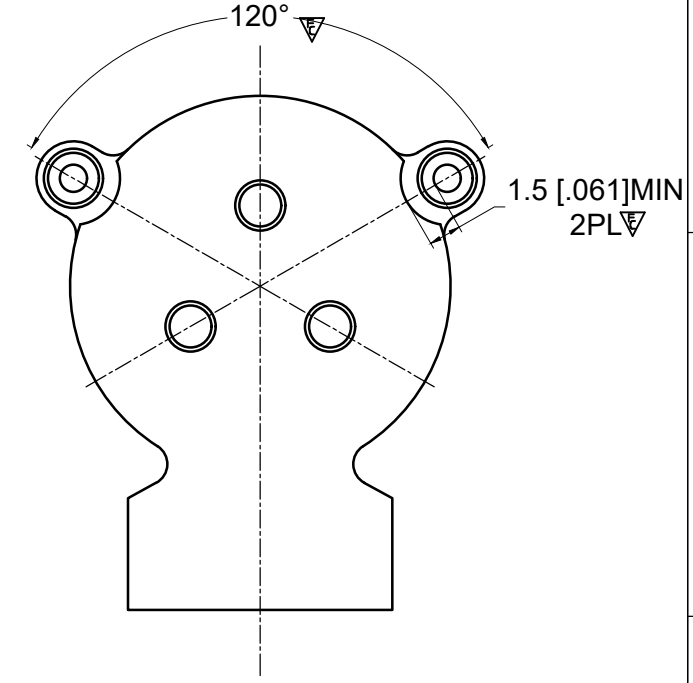
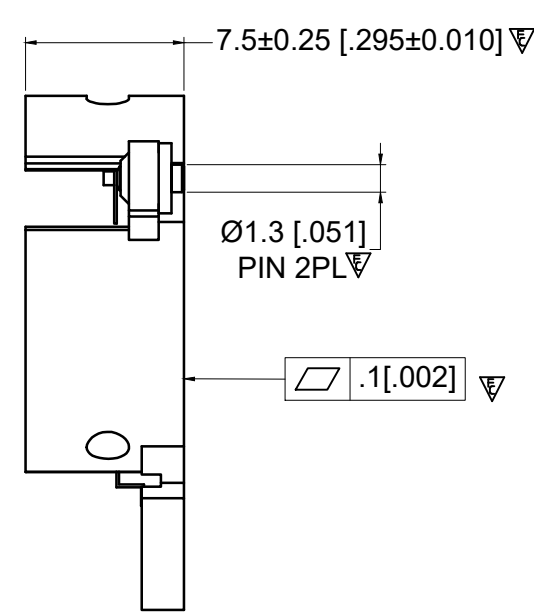
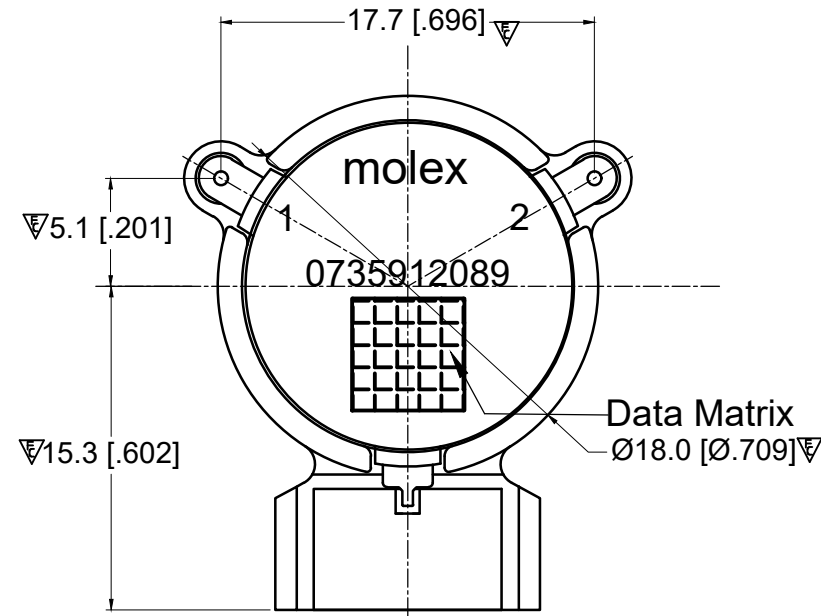
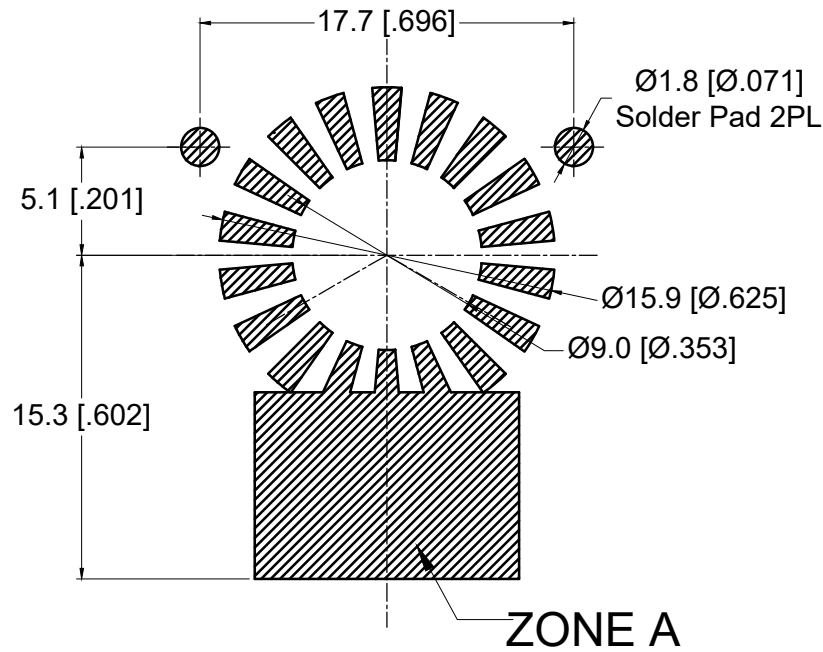


**RECOMMENDED LAND PATTERN :**

Zone A must be attached to heat sink. Thermal conductivity of intermediate layers between Zone A and heat sink must be better than 0.1 W / [°C x mm].



PCB MATERIAL:ROGERS 4350B 20MIL

**ELECTRICAL SPECIFICATION :**

- Frequency Range : 2620 to 2690 MHz
- Isolation : 28 dB Min
- Insertion Loss : 0.18 dB Max
- FWD Power : 150W (CW)
- Peak Power : 1000 W
- REV Power : 60 W
- Return Loss : 25 dB Min
- IMD (2 x 65 W, 1 MHz space) : -70 dBc Max
- 2nd Harmonics : 10 dBc
- 3rd Harmonics : 5 dBc
- Operating Temperature : -40°C to +120°C
- +120°C to +130°C : power capacity and reliability no change , other spec.reduce 10%
- Storage Temperature : -40°C to +130°C
- Direction : CW

BODY: CARBON STEEL, SILVER PLATED

RIGID PINS: COPPER, SILVER PLATED

**NOTES:**

1. STANDARD INPUT/OUTPUT IMPEDANCE 50 Ohm
2. LEAD FREE, NO Nd MATERIAL, BeO FREE
3. THE DIMENSION OF THE DATA MATRIX IS 5.3MM\*5.3MM, INFORMATION INCLUDED WORK ORDER NUMBER-SERIAL NUMBER-MATERIAL NUMBER
4. THIS PART COMPLIES WITH ALL ROHS REQUIREMENTS.

ENG PART#: 801-262-269-WC140

THIS DRAWING CONTAINS INFORMATION THAT IS PROPRIETARY TO MOLEX ELECTRONIC TECHNOLOGIES, LLC AND SHOULD NOT BE USED WITHOUT WRITTEN PERMISSION									
FUNCTIONAL SYMBOLS	DIMENSION UNITS	SCALE	CURRENT REV DESC:						
	MM	1:1	RELEASE TO PROD						
DIVISIONAL SYMBOLS	GENERAL TOLERANCES (UNLESS SPECIFIED)		EC NO: 696580						
		mm	INCH	DRWN: SREN05		2022/02/21		SMSJ ISOLATOR/2620~2690MHZ/CW	
	4 PLACES	±0.005	±----	CHK'D: JLI252		2022/02/23		RESTRICTED PRODUCT CUSTOMER DRAWING	
	3 PLACES	±0.025	±----	APPR: HWANG186		2022/03/01		DOCUMENT NUMBER	
	2 PLACES	±0.13	±----	INITIAL REVISION:		2021/12/08		735912089	
	1 PLACE	±0.25	±----	DRWN: SREN05		2022/03/01		PSD 000 A	
	0 PLACES	±0.4	±----	APPR: HWANG186		2022/03/01		MATERIAL NUMBER	
	ANGULAR TOL ± 1.5 °		THIRD ANGLE PROJECTION		DRAWING		SERIES		CUSTOMER
	DRAFT WHERE APPLICABLE MUST REMAIN WITHIN DIMENSIONS		A3-SIZE		73591		0735912089		CUSTOM PART
									SHEET NUMBER
									1 OF 1