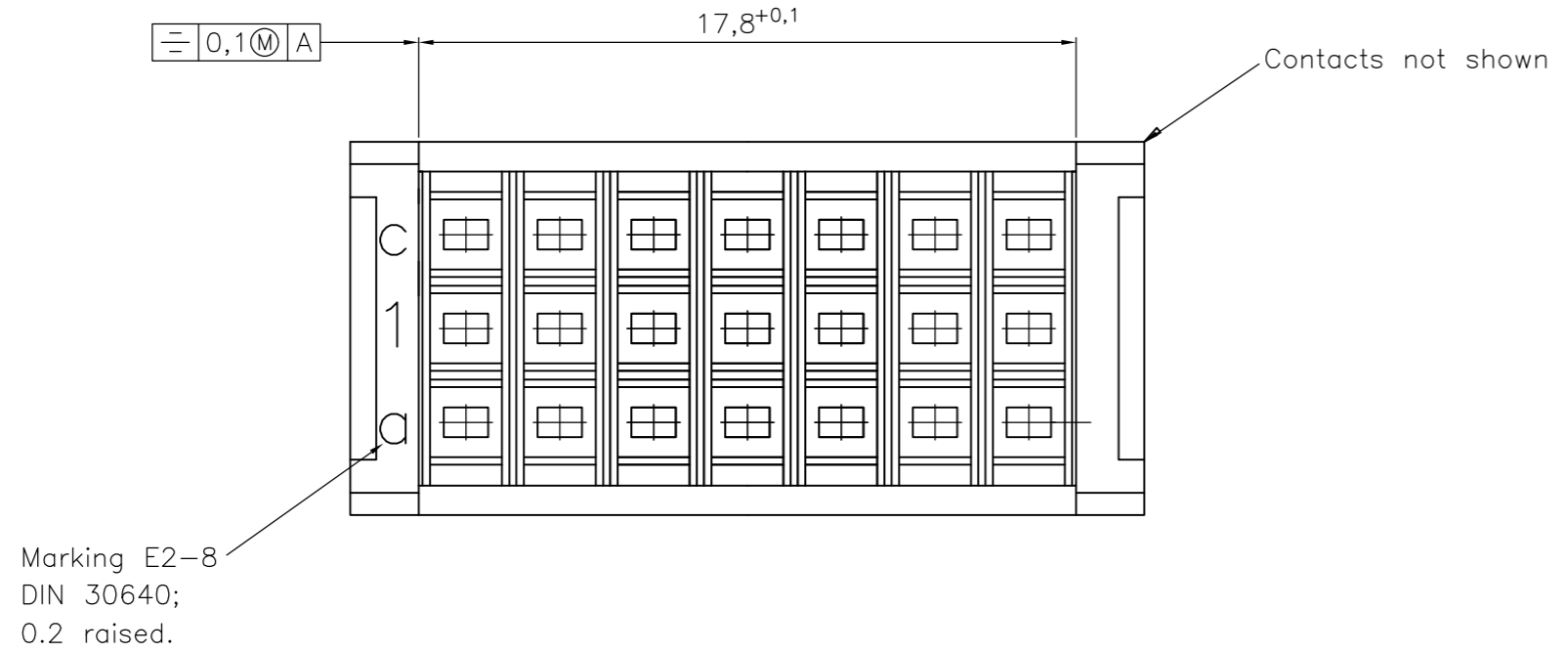
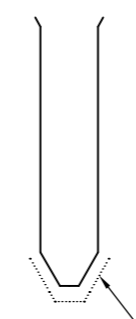


THIS DRAWING IS UNPUBLISHED. RELEASED FOR PUBLICATION  
 © COPYRIGHT BY TYCO ELECTRONICS CORPORATION. ALL INTERNATIONAL RIGHTS RESERVED.

LOC		DIST		REVISIONS			
P	LTR	DESCRIPTION	DATE	DWN	APVD		
A		WO 00/7012	20-07-09	-	VS		
B		SR10-0250-02	24-05-02	-	BC		
B1		ECR-09-015706	24-11-09	AEG	MKO		



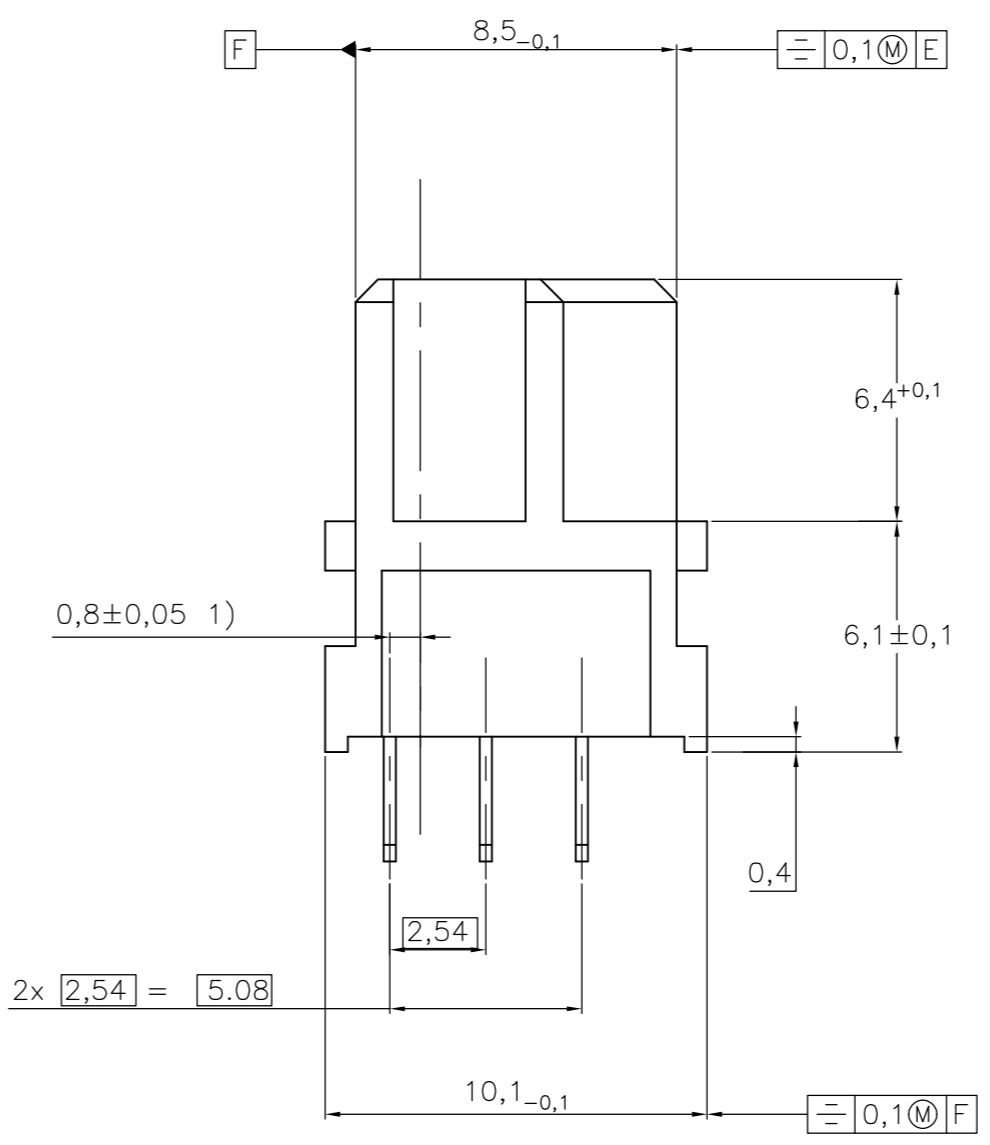
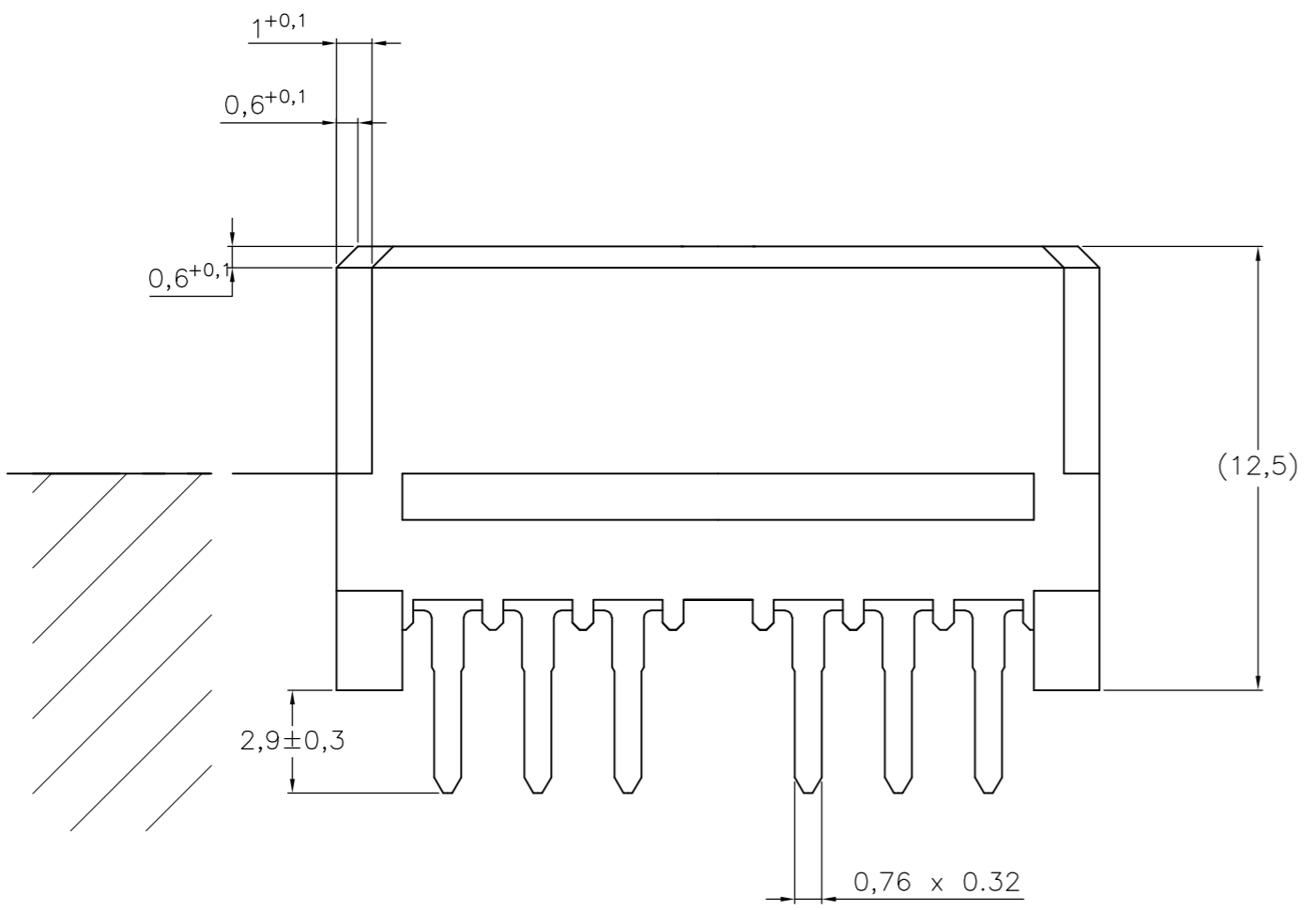
Solderpost



Loading Pattern (18 contacts)

	1	2	3	4	5	6	7
Row a	+	+	+	o	+	+	+
Row b	+	+	+	o	+	+	+
Row c	+	+	+	o	+	+	+

+ = contact  
o = no contact

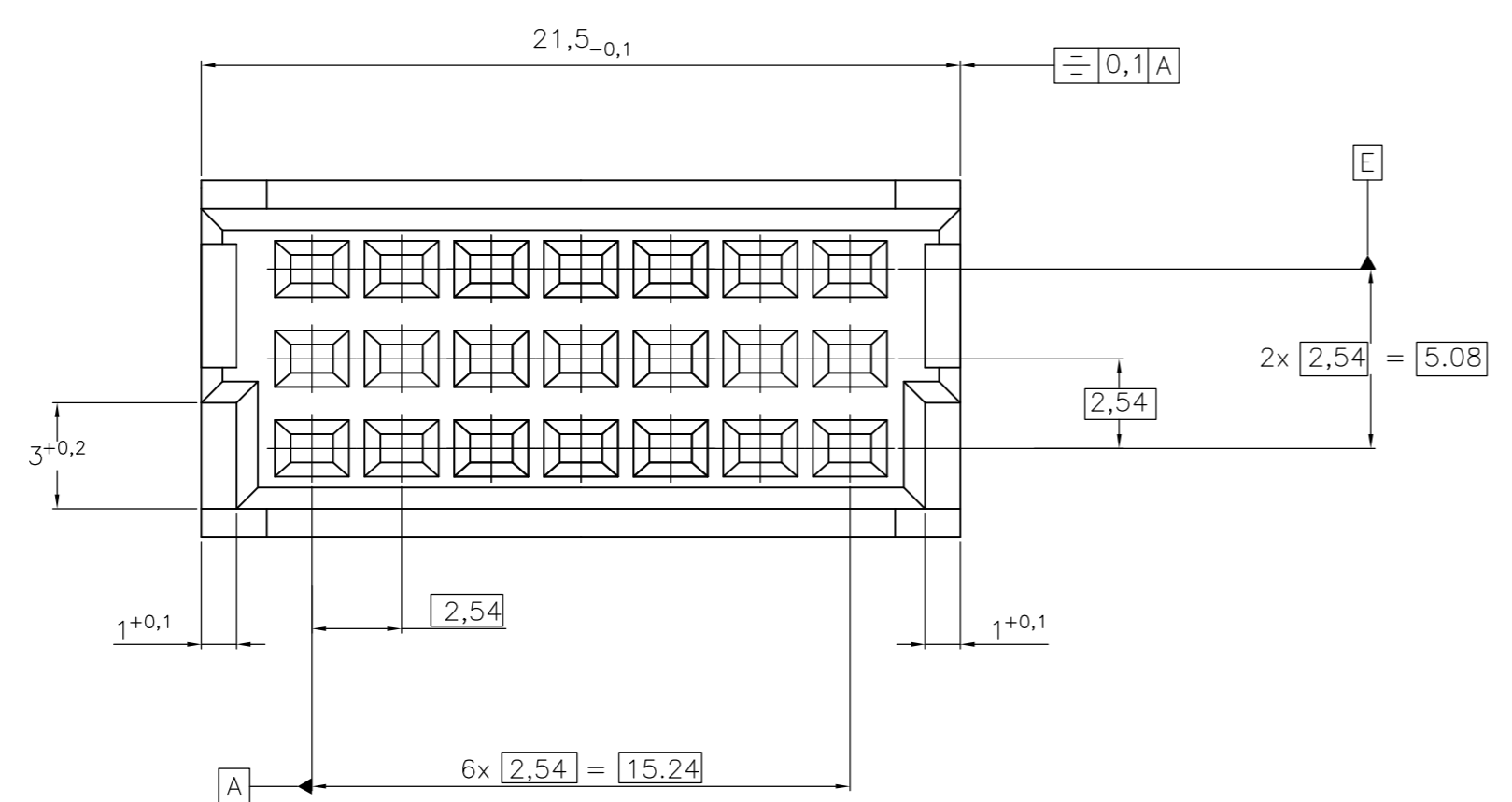


Specifications acc. IEC 603-2. Performance Level 2

Housing : PBTP 30% Glasfilled (UL94-V0)  
 Pebblegrey similar RAL 7032

Contact material : Copper Alloy

Plating : Contact area : PdNi+Au or Au  
 Termination area : Sn with flux-tight coating.



1) Center-displacement between termination- and contact-side.

Active Partnumber. Contact Tyco Electronics for other configuration availability

Old Partnumber	TE Part number
V42254-F2299-R6	1393657-4

THIS DRAWING IS A CONTROLLED DOCUMENT.		DWN	10JUN98	Tyco Electronics Corporation	
DIMENSIONS: mm		CHK	-	's-Hertogenbosch, Nederland	
TOLERANCES UNLESS OTHERWISE SPECIFIED:		APVD	-	NAME	
0 PLC	± -	PRODUCT SPEC	-	Receptacle Ass'y, Type R, 21 pos.	
1 PLC	± -	APPLICATION SPEC	-	V42254-F2299-R6-* -26	
2 PLC	± -	WEIGHT	-	SIZE	CAGE CODE
3 PLC	± -	CUSTOMER DRAWING	-	A2	00779
4 PLC	± -	SCALE	5:1;10:1	DRAWING NO	C=1393657-4
ANGLES	± -	SHEET	1 of 1	REV	B1
FINISH	-	REV	B1		