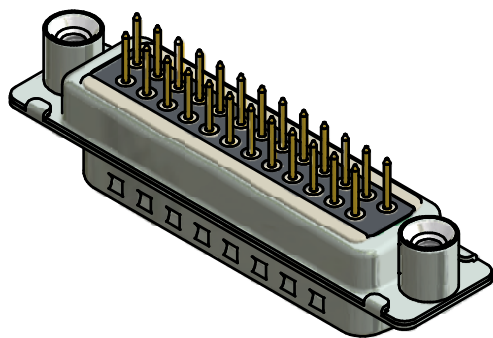
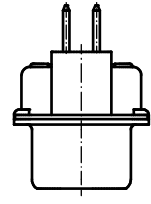
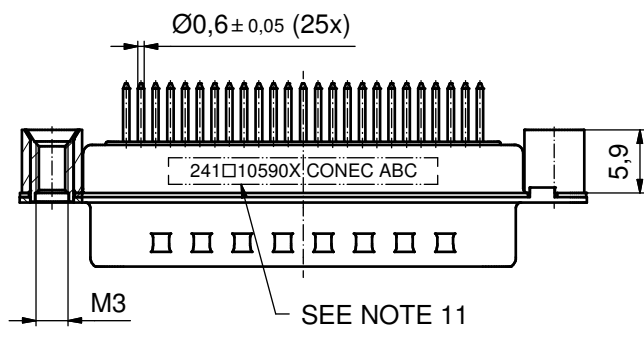
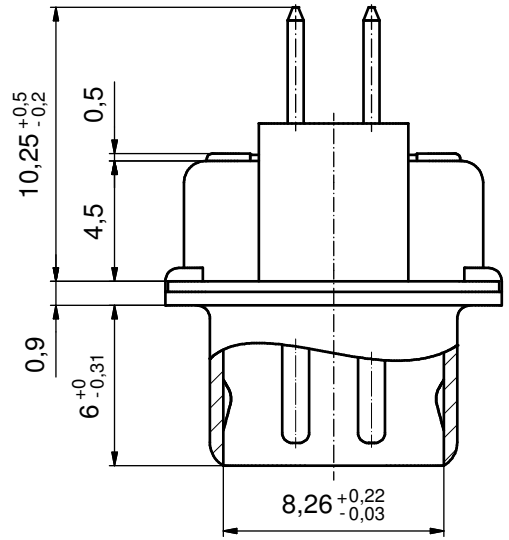
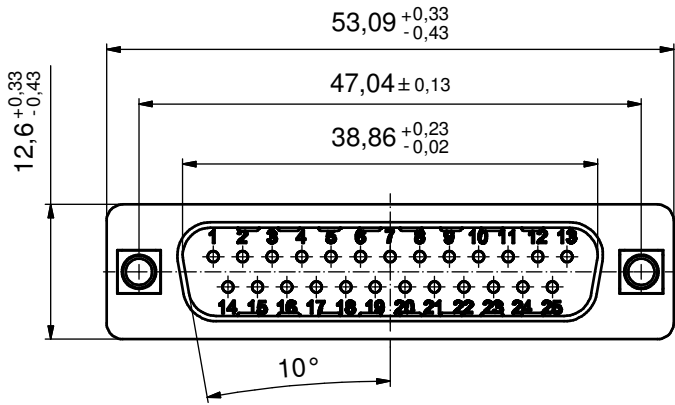


(5:1)



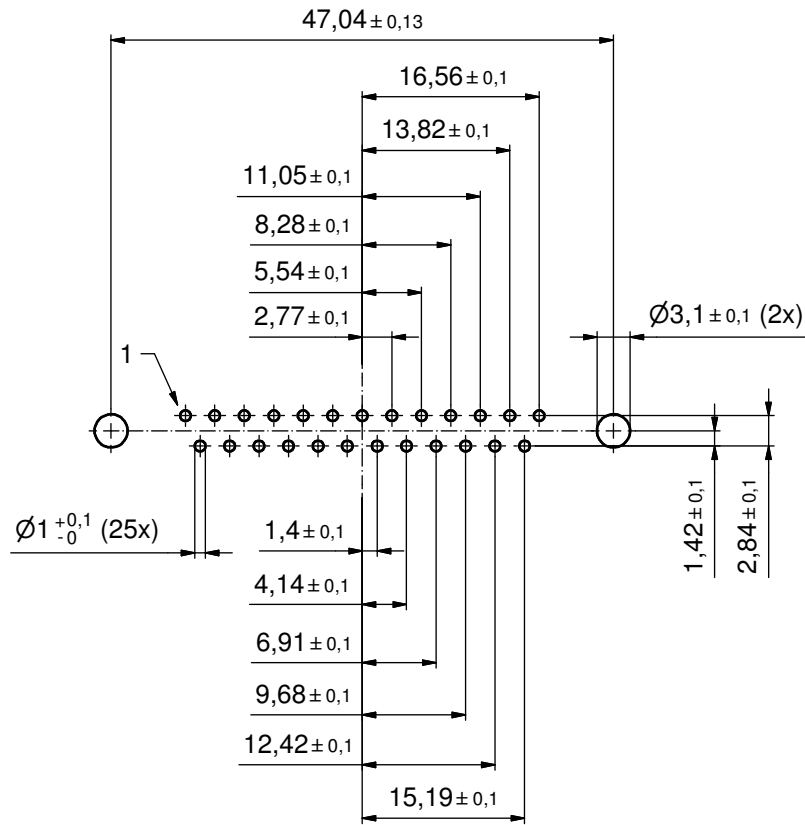
NOTES:

- FOR WAVESOLDERING (SOLDER BATH TEMPERATURE 260 °C FOR 5 SEC. AND SOLDER PREHEAT 100 °C FOR 30 SEC.)
- METALSHELLS: STEEL; min. 315µin TIN over 40-80µin NICKEL
- INSULATOR: HIGH TEMPERATURE PLASTIC UL 94 V-0, BLACK
- CONTACTS: COPPER ALLOY; PLATING (SEE PART NO.):  
 PLEASE ADD A for GOLD FLASH over NICKEL (PREFERRED TYPE)  
 PLEASE ADD B for 20µin HARD GOLD over min. 50µin NICKEL  
 PLEASE ADD C for 30µin HARD GOLD over min. 50µin NICKEL  
 CONTACT TAILS PRETINNED
- THREADED REAR SPACERS:  
 COPPER ALLOY; min. 200µin TIN over 80µin NICKEL
- SLEEVES: COPPER ALLOY; min. 200µin TIN over 80µin NICKEL
- P.C.B. HOLE DRILLINGS ON SHEET 2
- CAPACITANCE: 830pF ±20%
- DIELECTRIC WITHSTANDING VOLTAGE: 424 VDC
- MAXIMUM TORQUE VALUE FOR THREAD: 6 in.LB
- CONNECTOR IS PART MARKED: 241□10590X CONEC ABC (see note 4)

Directive 2002/95/EC RoHS compliant

THIS DRAWING MAY NOT BE COPIED OR REPRODUCED IN ANY WAY, AND MAY NOT BE PASSED ON TO A THIRD PARTY WITHOUT WRITTEN PERMISSION. OWNERSHIP AND COPYRIGHT OF CONEC GmbH DO NOT ALTER CAD DRAWING BY HAND	tolerance		dim. in mm	scale: 2:1 (5:1)	
				material: SEE NOTES	
	date	name	title: <b>D-SUB C-FILTER MALE</b> 25pos. SOLDER PIN STRAIGHT with threaded rear spacer		
	drawn 07.10.14	Henneboel			
	appd. 07.10.14	Lehmenkühler			
norm		dwg no:		DIN-A3	
d-old		24K1A1555		sh: 1/2	
a Original					part no: 241□10590X (see note 4)
rev. description	date name				

P.C.B. HOLE DRILLINGS  
(P.C.B. TOP SIDE)



THIS DRAWING MAY NOT BE COPIED OR REPRODUCED IN ANY WAY, AND MAY NOT BE PASSED ON TO A THIRD PARTY WITHOUT WRITTEN PERMISSION. OWNERSHIP AND COPYRIGHT OF CONEC GmbH DO NOT ALTER CAD DRAWING BY HAND				tolerance		scale: 2:1
					dim. in mm	material: SEE SHEET 1
				date	name	title:
				drawn 07.10.14	Henneboel	P.C.B. HOLE DRILLINGS
			appd. 07.10.14	Lehmenkühler	D-SUB C-FILTER MALE 25pos. SOLDER PIN with threaded rear spacer	
			norm		dwg no:	
			d-old		24K1A1555	
			a	Original	DIN-A3	
			rev.	description	sh: 2/2	
			date	name	part no: SEE SHEET 1	