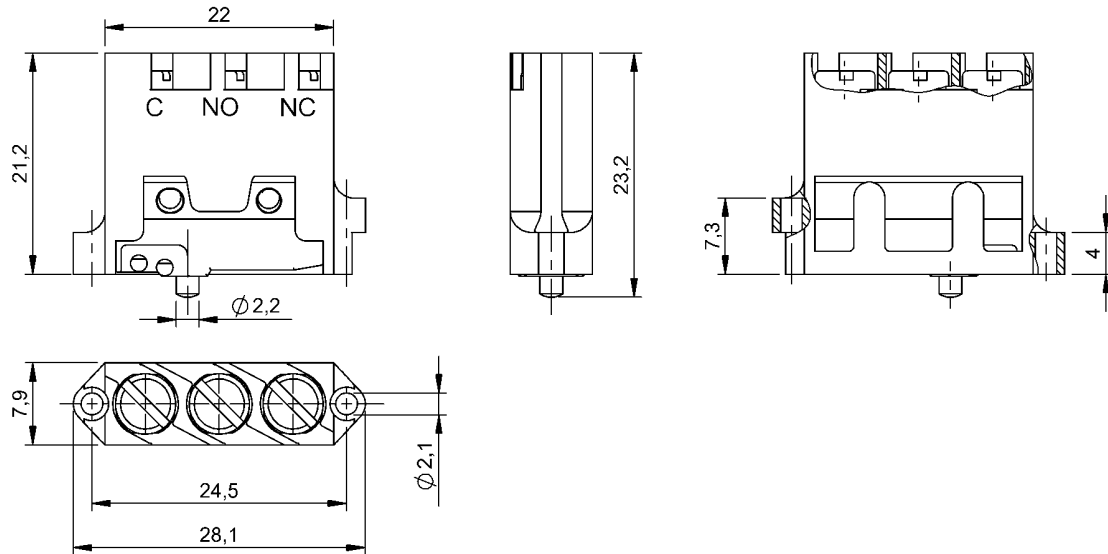


Mechanical Cam Switches
BSE 74.1-RK
 Order Code: BSE000L

BALLUFF



Basic features

| | |
|------------------|--------|
| Bounce time max. | 2.0 ms |
| Switching time | 10 ms |

Electrical connection

| | |
|-----------------|------------------------------------|
| Connection type | 1. Switch position: Screw terminal |
|-----------------|------------------------------------|

Electrical data

| | |
|---|------------------------------|
| Contact resistance max. | 240 mOhm |
| Contact resistance max., note | New condition |
| Continuous current | 1. Switch position: 0.1 A |
| Mechanical life expectancy min. | 10 mil. switching operations |
| Minimum load at 24 V DC | 10.0 mA |
| Nominal voltage | 250 VAC |
| Rated continuous current | 0.1 A |
| Rated operating current I _e | 0.1 A |
| Rated operating current I _e AC | 0.1 A |
| Rated operating voltage U _e AC | 250 V |
| Rated operating voltage U _e DC | 220 V |
| Switching actuation force max. | 1.50 N |
| Switching operations per minute | 200 |
| Switching principle | Snap switch |
| Switchover time max. | 10.0 ms |

Environmental conditions

| | |
|---------------------|------------|
| Ambient temperature | -5...85 °C |
|---------------------|------------|

Material

| | |
|-------------------|--------------------------|
| Housing material | Thermoplast, GF |
| Material contacts | Gold |
| Material contacts | 1. Switch position: Gold |

Mechanical data

| | |
|--------------------------|----------------------|
| Connection cross-section | 0.75 mm ² |
| Tightening torque max. | 12 Ncm |

Wiring Diagrams

