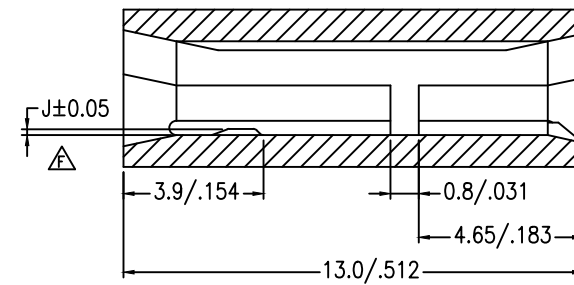
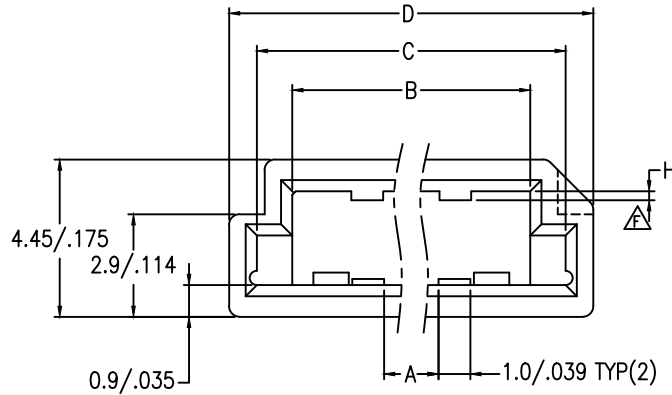
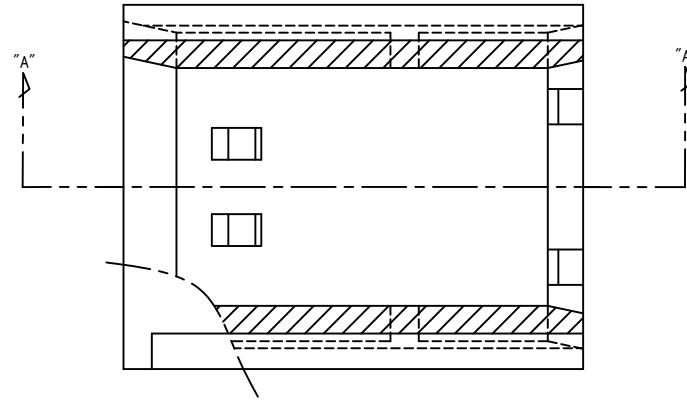
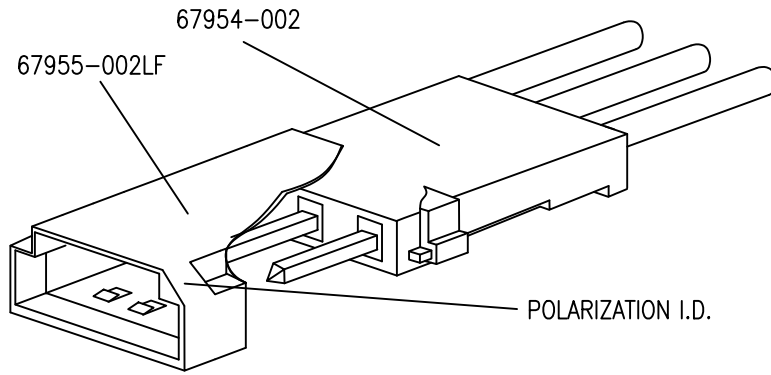


PRODUCT NO.	MATERIAL
67955-XXXLF	PLAIN NORIL, COLOR: BLACK, UL94V-1
67955-XXXHLF	Zytel: FR-50, COLOR: BLACK, UL94V-0



SECT "A"-"A"

mat'l. code				surface		tolerance		projection		product family		CODE
---				ISO 1302		ISO 400		MM/INCH		5NGF - PV HOUSINGS		JP
ltr	description	ecn no	dr	date	tolerances	angles	linear	0.X	0.XX	0.XXX	scale	title
D	REVISED	J05-0525	R.S	2005-8-19				±0.25	±0.25	±0.25	MM/INCH	POLARIZED M/L HSG SHROUD
E	REVISED	J06-0279	R.S	2006-7-25				±0.25	±0.25	±0.25	MM/INCH	
F	REVISED	J10-0121	S.W	2010-5-20				±0.25	±0.25	±0.25	MM/INCH	
G	REVISED	F-30561	DDE	2018-6-27	dr	D.DETOUILLOIN		18.06.27				dwg no
					enrg	L.MULIN		18.06.27				sheet 1 of 2 size
					chr	L.MULIN		18.06.27				67955
					appd	A.SOUDY		18.06.27				A3
sheet	revision	G	C									type
index	sheet	1	2									PRODUCT CUSTOMER Drawing
												Rev.
												G

FCI CONFIDENTIAL



Copyright FCI

67955-003LF	4	5.08/.200	10.27/.404	12.27/.483	13.84/.545	0.25/.010	0.17/.007
67955-003HLF							
67955-002LF	3	2.54/.100	7.73/.304	9.73/.383	11.3/.445	0.25/.010	0.17/.007
67955-002HLF							
67955-001LF	2	0/0	5.19/.204	7.19/.283	8.76/.345	0.15/.006	0.1/.004
67955-101HLF							
67955-001HLF							
P/N	NO. of POS	A	B	C	D	H	J

NOTE.

- FIG.1 SHOWS 67955-002LF MATED WITH POLARIZED MINI LATCH HOUSING. 67954-002 LOADED WITH CTW MALE PIN.
- THIS PRODUCT MEETS EUROPEAN UNION DIRECTIVES AND OTHER COUNTRY REGULATIONS AS DESCRIBED IN GS-22-008.
- THIS PRODUCT IS NOT INTENDED TO BE EXPOSED TO A MANUFACTURING SOLDER PROCESS.

FCI CONFIDENTIAL



FCIconnect.com

Copyright FCI

mat'l. code				surface		tolerance		projection		product family		CODE
---				ISO 1302		ISO 406		1st angle		5NGF - PV HOUSINGS		JP
ltr description ecn no dr date				tolerances unless otherwise specified		linear		MM/INCH		title		
A	RELEASED	J05-0525	R.S	2005-8-18	angles	0.X	±0.25	MM/INCH		POLARIZED M/L HSG SHROUD		
B	REVISED	J06-0279	R.S	2006-7-25	linear	0.XX	±0.25	scale				
C	REVISED	J10-0121	S.W	2010-5-20	0'±2"	0.XXX	±0.25					
D	REVISED	F-30561	DDE	2018-6-27	dr	D.DETOUILLO	18.06.27			dwg no		sheet 2 of
					enr	L.MULIN	18.06.27			67955		size
					chr	L.MULIN	18.06.27			type		A3
					appd	A.SOUDY	18.06.27			PRODUCT CUSTOMER Drawing		Rev.
sheet	revision											D
index	sheet											