

MATERIALS AND FINISHES

BODY ZINC ALLOY
 PLATED NICKEL
 NOTE: ISOLATED FROM PANEL

HOUSING PLOYESTER BUTYLENE TEREPHTALATE
 COLOR: BLACK

CENTER CONTACT PHOSPHOR BRONZE
 PLATED GOLD

INSULATOR POLYPROPYLENE (94-V2)

MOUNTING POST BRASS
 PLATED TIN

SOLDER TAIL BRASS WIRE
 PLATED TIN

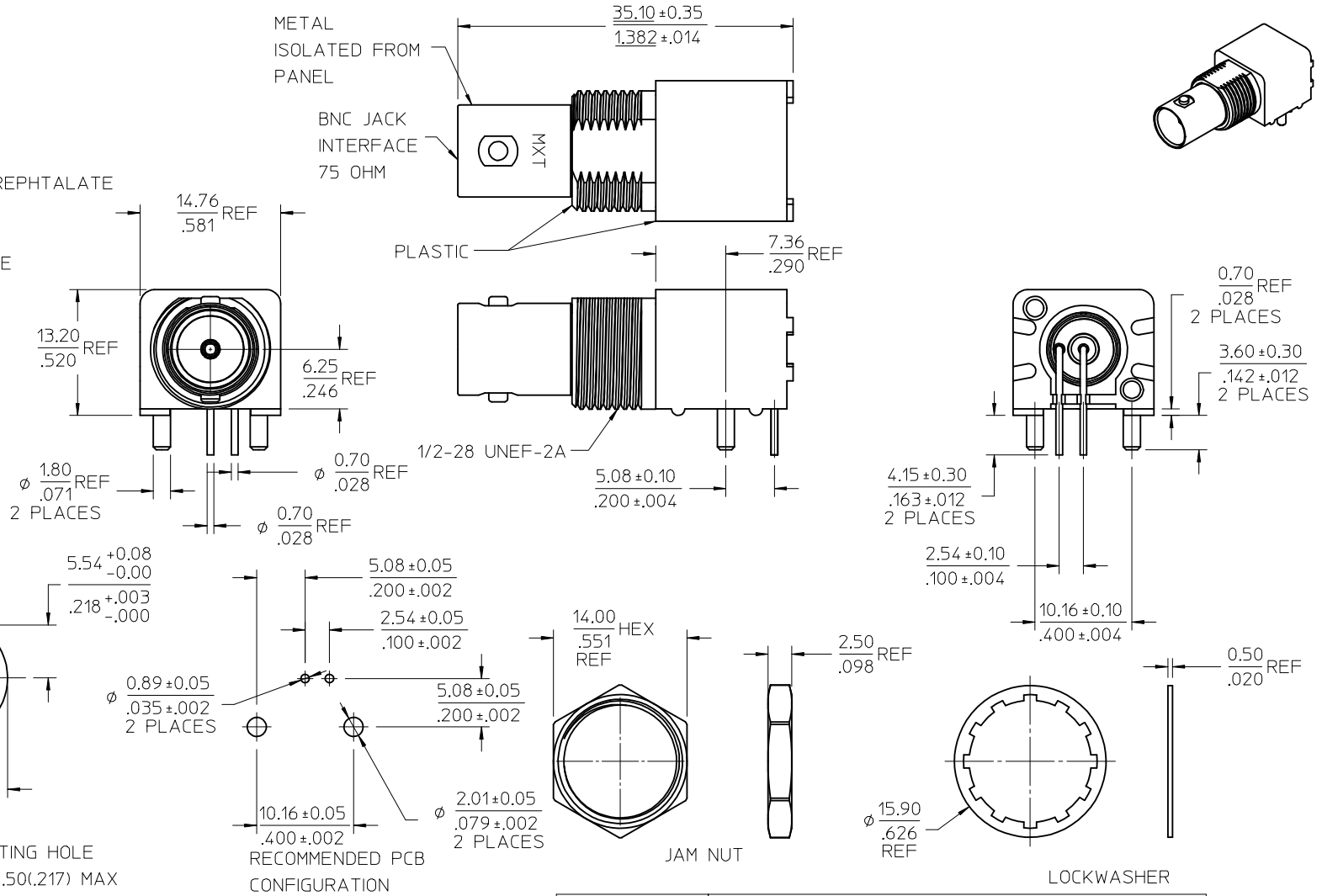
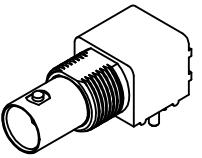
LOCKWASHER PHOSPHOR BRONZE
 PLATED NICKEL

JAM NUT BRASS
 PLATED NICKEL

METAL
 ISOLATED FROM
 PANEL

BNC JACK
 INTERFACE
 75 OHM

PLASTIC



RECOMMENDED MOUNTING HOLE
 PANEL THICKNESS: 5.50(.217) MAX
 RECOMMENDED MOUNTING TORQUE:
 0.56 N(5 INCH-LBS) MAX

RECOMMENDED PCB
 CONFIGURATION

JAM NUT

LOCKWASHER

| | |
|------------|--|
| 73171-6090 | 73100-0067 W/O NUT AND WASHER, TRAY PACK |
| 73171-2980 | 73100-0067, ONE PER BAG |
| 73100-0067 | TRAY |
| PART NO. | PACKAGING |

| | |
|---------------|-----------------------|
| PS-89675-1030 | PRODUCT SPECIFICATION |
| SPECIFICATION | DESCRIPTION |

CHG: ADD
 ISOLATION NOTE
 PS WAS
 73598-0051

EC NO: URF2014-0213
 2013/10/07
 DRW: WIENER
 2013/10/07
 CHK: SSS
 2013/10/09
 APPR: WIENER

QUALITY
 SYMBOLS
 ▽=0
 ▽=0

GENERAL TOLERANCES
 (UNLESS SPECIFIED)

| | mm | INCH |
|----------|--------|----------|
| 4 PLACES | ± .005 | ± .0002 |
| 3 PLACES | ± .004 | ± .00015 |
| 2 PLACES | ± .003 | ± .0001 |
| 1 PLACE | ± .002 | ± .00008 |

ANGULAR ± 2°

DRAFT WHERE APPLICABLE
 MUST REMAIN
 WITHIN DIMENSIONS

DIMENSION STYLE
 MM/IN

DRAWN BY
 C.M. HUNG

DATE
 1993/02/01

CHECKED BY
 C.M. HUNG

DATE
 1993/02/01

APPROVED BY
 KWH

DATE
 1993/04/01

MATERIAL NO.
 SEE TABLE

SIZE
 C

SCALE
 DESIGN UNITS
 METRIC

THIRD ANGLE
 PROJECTION

TITLE
 BNC JACK, R/A, PCB
 RECEPTACLE, 75 OHMS
 BNC-J/RA/PCB

MOLEX INCORPORATED

DOCUMENT NO.
 SD-73100-0067

SHEET NO.
 1 OF 1

THIS DRAWING CONTAINS INFORMATION THAT IS PROPRIETARY TO MOLEX
 INCORPORATED AND SHOULD NOT BE USED WITHOUT WRITTEN PERMISSION