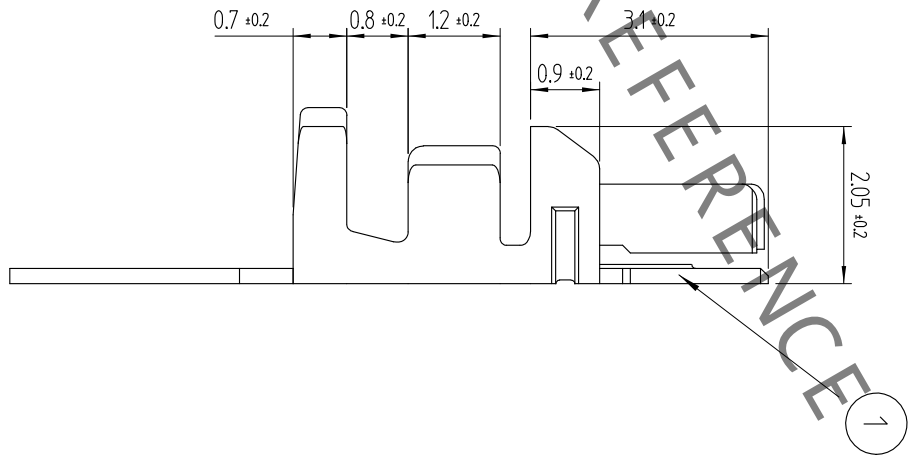
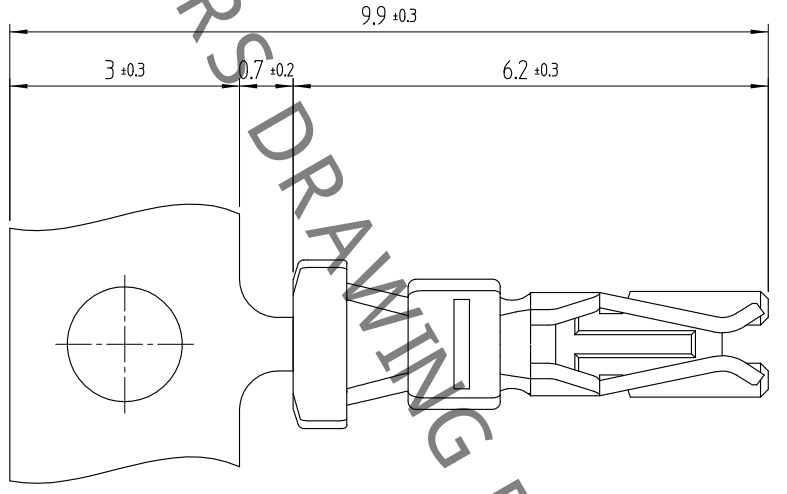
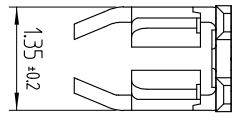


| △數 COUNT | 訂正事項 DESCRIPTION OF REVISIONS | 擔當 B Y | 檢圖 CHKD | 年月日 DATE | △數 COUNT | 訂正事項 DESCRIPTION OF REVISIONS | 擔當 B Y | 檢圖 CHKD | 年月日 DATE |
|-------------|----------------------------------|-----------|------------|-------------|-------------|----------------------------------|-----------|------------|-------------|
| △ | | | | .. | △ | | | | .. |
| △ | | | | .. | △ | | | | .. |
| △ | | | | .. | △ | | | | .. |



NOTE1. ONE REEL HAS 10,000 PIECES OF CONTACTS.

| NO. | MATERIAL | FINISH. REMARKS | NO. | MATERIAL | FINISH. REMARKS |
|-----|-----------------|---------------------|-----|----------|-----------------|
| 1 | PHOSPHOR BRONZE | TIN PLATED 1μm MIN. | | | |

| CODE NO. (OLD) | DRAWN | DESIGNED | CHECKED | APPROVED | RELEASED |
|----------------|-------------------------|-------------------------|------------------------|-------------------------|-------------------------|
| | CHOI 17.12.22 J.S | CHOI 17.12.22 J.S | LIM 17.12.22 S.M | KANG 17.12.22 T.S | ENG 20.02.20 DEPT |

| | | |
|---------------|------------------------------|-------------------------------|
| SCALE 10:1 | DRAWING NO. EDC4-611493 | PART NO. DF51K-22SCF (800) |
| UNITS MM | HRS HIROSE KOREA CO.,LTD. | CODE NO 6652-0039-4-800 |
| | | 1/1 |