

SE

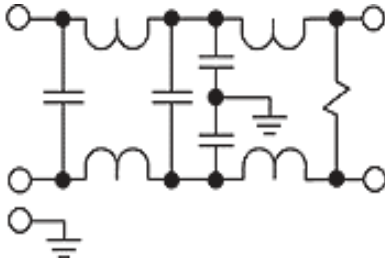
SWITCH MODE POWER SUPPLY EMI FILTER

FEATURES

- » Rated currents include **3A, 7.5A, 15A, 20A, 30A, 45A, 50A, and 60A**
- » Single-Phase AC
- » Available with **QD** (tabs), **S** (studs) and **C** (connectors) option
- » Connector & Flange Mount Available
- » Agency Approved to UL E78081, CSA LR53652
- » Y-cap value can be adjusted to fit specification



ELECTRICAL SCHEMATIC



SPECIFICATIONS

OPERATING FREQUENCY	50/60Hz
MAX. OPERATING VOLTAGE	250VAC +10%
TERMINALS (-T)	QD: 0.25 TABS STUDS: 8-32 (1-5A), 10-32(10-30A) 1/4-20 (45-60A)
TYP. WEIGHT, LBS (KG)	0.27 - 4.01 (0.12 - 1.81)

LEAKAGE CURRENT

@ 250 VAC 60 Hz	0 - 1.6 mA Max.
-----------------	-----------------

HIPOT RATINGS

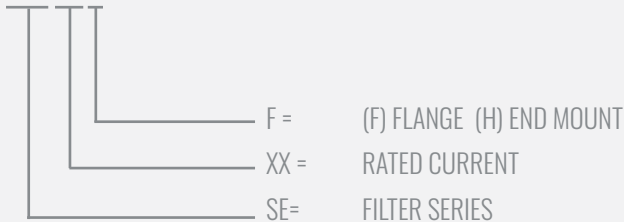
LINE TO GROUND	2200 VDC - 2700 VDC
----------------	---------------------

TYPICAL APPLICATIONS

- ✓ Switch Mode Power Supplies
- ✓ Household Appliances
- ✓ Industrial Equipment
- ✓ Consumer Electronics
- ✓ Office Automation Equipment
- ✓ Data Processing Systems

HOW TO ORDER

SE XX F



NOTE: USE ANY COMBINATION OF -X (AMPS) WITH ANY -Y RATINGS
E.G. **SE45 F**(45 AMPS, FLANGE MOUNT)

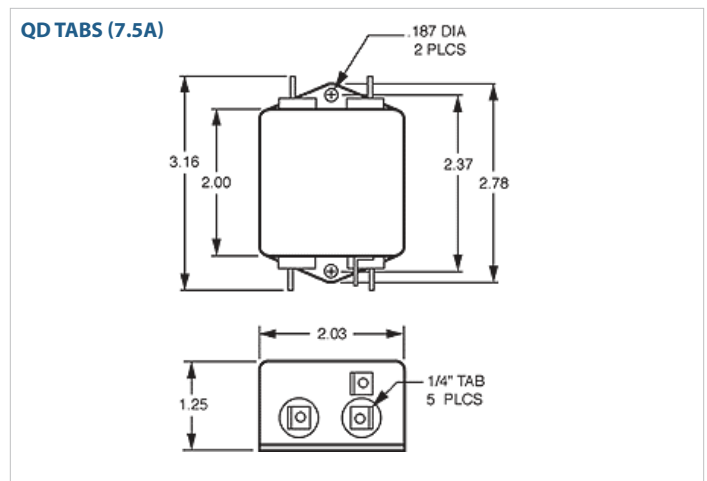
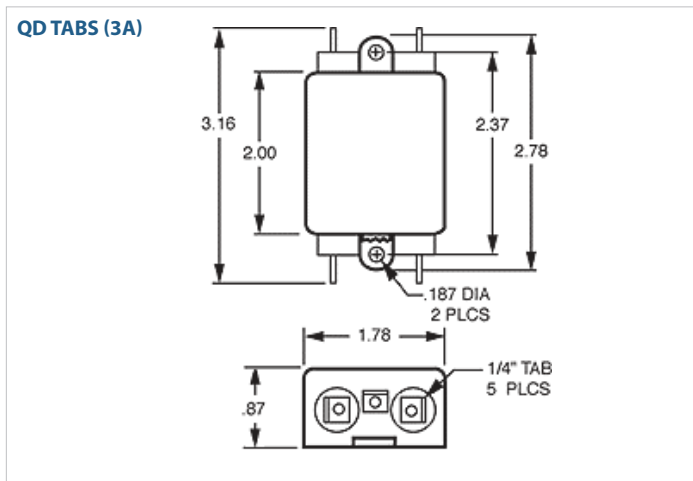
SE

SWITCH MODE POWER SUPPLY EMI FILTER

MODEL NO.	RATED CURRENT (A) @ 40° C	Y-CAP, nF	LEAKAGE CURRENT, mA @ 250V AC, 60 Hz	TERMINAL OPTIONS			MAX. DIMENSIONS" (MM)		
				(QD)INPUT/ OUTPUT	(S) INPUT/ OUTPUT	(C) INPUT/ OUTPUT	WIDTH	(LENGTH)	HEIGHT
SE3C	3	2x.0047μF	0.8			✓	*	*	*
SE3	3	2x.0047μF	0.8	✓			1.78"	3.04"	0.87"
SE7C	7.5	2x.0047μF	0.8			✓	*	*	*
SE7	7.5	2x.0047μF	0.8	✓			2.03"	3.2"	1.25"
SE15C	15	2x.0047μF	0.8			✓	2.15"	3.47"	1.75"
SE15	15	2x.0047μF	0.8	✓			2.03"	3.7"	1.5"
SE15 S	15	2x.0047μF	0.8		✓		2.03"	3.76"	1.5"
SE20C	20	2x.0047μF	0.8			✓	*	*	*
SE20	20	2x.0047μF	0.8	✓			2.15"	4.13"	1.78"
SE20	20	2x.0047μF	0.8	✓			2.15"	4.13"	1.78"
SE30	30	2x.01μF	1.4	✓			2.91"	4.32"	2"
SE30 L	30	2x.01μF	1.4	✓			2.91"	4.32"	2"
SE45 F	45	2x.01μF	1.4	✓			3"	6.11"	2.75"
SE45	45	*	1.4				*	*	*
SE50 F	50	2x.01μF	1.4		✓		3"	6.49"	3"
SE50 F	50	2x.01μF	1.4		✓		3"	6.49"	3"
SE50 F	50	2x.01μF	1.4		✓		3"	6.49"	3"
SE50	50	*	1.4	*	*	*	*	*	*
SE60 F	60	2x.01μF	1.6		✓		3"	7.24"	3"
SE60	60	*	1.6	*	*	*	*	*	*

*Contact factory for part data.

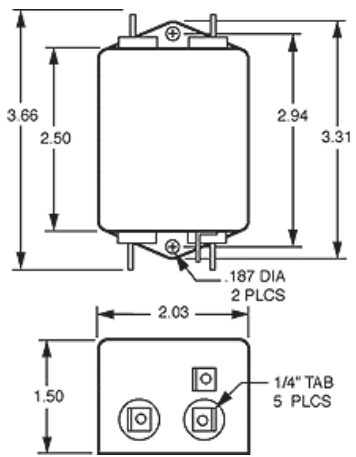
SE MECHANICAL OUTLINES (MM)



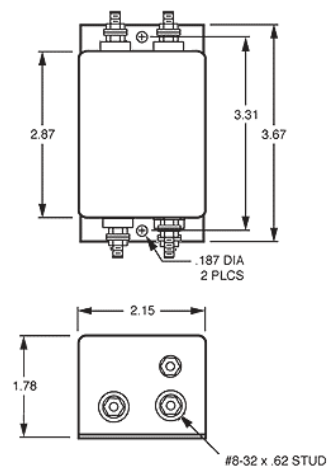
SE

SWITCH MODE POWER SUPPLY EMI FILTER

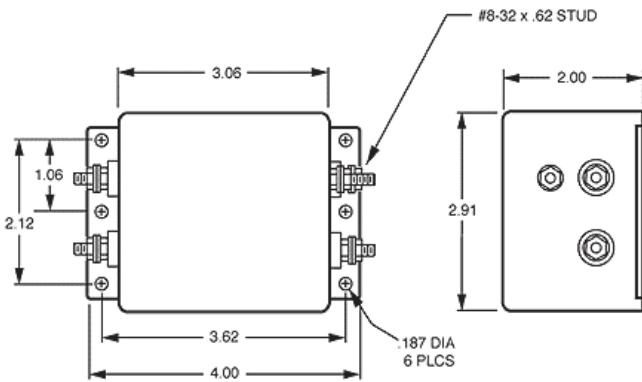
QD TABS (15A)



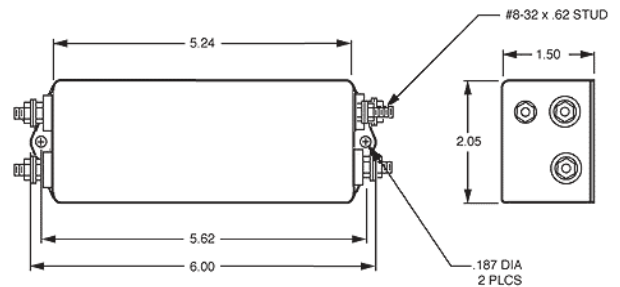
STUDS (20A)



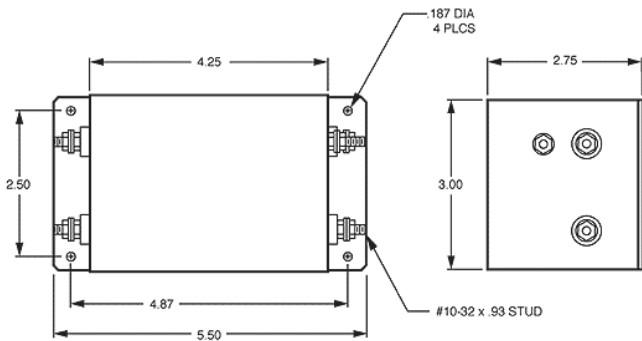
STUDS (30A)



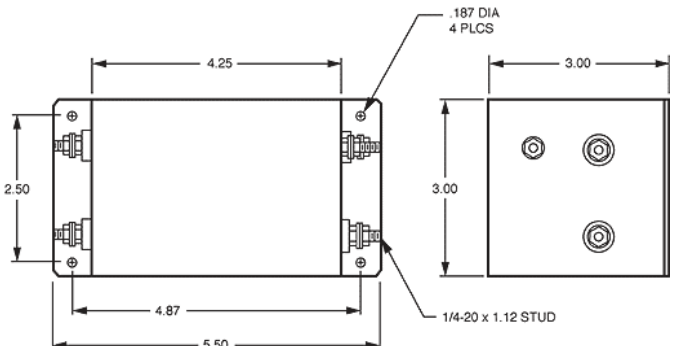
STUDS (30A) LOW PROFILE



STUDS (45A)

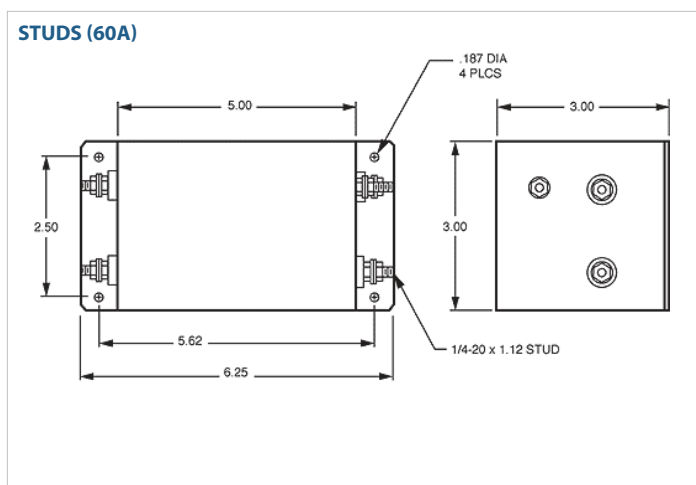


STUDS (50A) LOW PROFILE



SE

SWITCH MODE POWER SUPPLY EMI FILTER



TYPICAL TOLERANCE: +/-0.02" (0.50MM)

TYPICAL INSERTION LOSS, dB (50/50 Ohm)

Amps	Freq (MHz)	0.15	0.5	1.0	10	30
3	CM (dB)	15	50	40	59	68
	DM (dB)	15	50	44	66	76
7.5	CM (dB)	15	50	40	59	68
	DM (dB)	15	50	44	66	76
15	CM (dB)	15	50	40	59	68
	DM (dB)	15	50	44	66	76
20	CM (dB)	15	50	40	59	68
	DM (dB)	15	50	44	66	76
30	CM (dB)	15	50	40	59	68
	DM (dB)	15	50	44	66	76
45	CM (dB)	15	50	40	59	68
	DM (dB)	15	50	44	66	76
50	CM (dB)	15	50	40	59	68
	DM (dB)	15	50	44	66	76
60	CM (dB)	15	50	40	59	68
	DM (dB)	15	50	44	66	76