

TC3567DFSG-002

Bluetooth[®] low energy IC

Rev 1.2



ARM[®]

The Bluetooth[®] word mark and logos are registered trademarks owned by the Bluetooth SIG, Inc.
ARM and Cortex are registered trademarks of ARM Limited (or its subsidiaries) in the EU and/or elsewhere.

Contents

1.	General Description.....	4
1.1.	Product Concept.....	4
1.2.	Features.....	4
2.	Pin Function.....	6
2.1.	TC3567DFSG Pin Assignment (Top View).....	6
2.2.	Pin Function Descriptions.....	7
2.3.	GPIO function list.....	10
2.4.	Power Supply Pins.....	12
3.	System Configuration.....	13
3.1.	Block Diagram.....	13
3.2.	Boot Sequence.....	14
4.	Functional Specifications.....	15
4.1.	Bluetooth® Function.....	15
4.1.1.	Supported Function.....	15
4.1.2.	Support Protocol Layer.....	16
4.1.3.	RF.....	17
4.1.4.	Auto Advertise Function.....	17
4.2.	Reset Interface (Power up sequence).....	18
4.2.1.	Features.....	18
4.2.2.	Connection Example.....	18
4.3.	UART Interface.....	19
4.3.1.	Features.....	19
4.3.2.	Connection Example.....	19
4.3.3.	Frame Format.....	20
4.3.4.	Flow Control Function.....	20
4.3.5.	Baud rate	21
4.3.6.	TX message spacing function.....	21
4.3.7.	Error Detecting Functions.....	22
4.3.8.	Host Wake up Function.....	23
4.3.9.	HCI mode.....	23
4.3.9.1.	HCI Reset.....	23
4.4.	SPI Interface.....	24
4.4.1.	Features.....	24
4.4.2.	Connection Example.....	24
4.4.3.	Frame Format.....	25
4.5.	I ² C Interface.....	26
4.5.1.	Features.....	26
4.5.2.	Connection Example.....	26
4.5.3.	Selection of External Pull-up Resistor Value.....	27
4.5.4.	Frame Format.....	28
4.6.	PWM Interface.....	29
4.6.1.	Pulse Generation Function.....	29
4.6.2.	Rhythm Function (Output Masking).....	30
4.7.	ADC.....	31
4.7.1.	Features.....	31
4.7.2.	Descriptions.....	31

4.8.	IC Reference Clock Interface	32
4.8.1.	Features	32
4.8.2.	Connection Example	32
4.9.	Sleep Clock Interface	33
4.9.1.	Sleep Clock Connection Example	33
5.	Electric Characteristics	34
5.1.	Absolute Maximum Ratings	34
5.2.	Operating Conditions	35
5.3.	DC electric characteristics	36
5.3.1.	Current Consumption (Design value)	36
5.4.	Built-in Regulator Characteristics	38
5.5.	ADC Characteristics	38
5.6.	RF Characteristics (Design value)	39
5.7.	AC Interface Characteristics (Design value)	41
5.7.1.	UART Interface	41
5.7.2.	I ² C Interface	42
5.7.2.1.	Normal Mode	42
5.7.2.2.	Fast mode	43
5.7.3.	SPI Interface	44
6.	System Configuration Example	45
6.1.	In HCI mode	45
6.2.	In User-App mode	46
7.	Package outline	47
7.1.	Outline dimensional drawing TC3567DFSG (P-VQFN40-0505-0.40-005/F01)	47
8.	Part Numbering Nomenclature	48
	RESTRICTIONS ON PRODUCT USE	49

1. General Description

1.1. Product Concept

TC3567DFSG (Later omitted TC3567D.) are compliant with 2.4-GHz wireless communication, Bluetooth® Ver4.2 low energy.

RF analog parts and baseband digital parts are built in them, and TC3567D provides Bluetooth® HCI (Host Control Interface) functions and Bluetooth® low energy GATT profile functions defined by Bluetooth® core specifications. TC3567D works as a standalone application using Bluetooth® low energy communication system by connecting EEPROM (written a program for standalone use) by I²C connection. The TC3567D can be connected to an external host CPU by the UART and controlled with the HCI or the GATT/SM layer control command.

1.2. Features

- Compliant with Bluetooth® Ver4.2 low energy
 - ◇ Built-in Bluetooth® Baseband Circuit
 - ◇ Built-in Bluetooth® RF analog Circuit
 - Transmission electric power: 0 dBm
 - Receiver sensitivity: -93.5 dBm
 - RSSI accuracy: ±1 dB (-90 to -10 dBm@input)
 - Internal matching circuit
 - ◇ Built-in ARM® Cortex®-M0 (13 MHz or 26 MHz operation frequency is able to select to run)
 - ◇ Built-in masking ROM
 - Boot program
 - HCI/ extension HCI command
 - GATT/SM layer control API (TCU command; Toshiba Command Unit)
 - API for hardware control
 - ◇ Retention SRAM (128 KB with 51 KB available for the user area)
 - ◇ Support up to 4 patch program loader functions and auto patch function
- General Purpose IO (17 ports)
- General Purpose Serial Interfaces
 - ◇ SPI interface (1 ch assigned to a General Purpose IO)
 - ◇ I²C interface (1 ch assigned to a General Purpose IO)
- Host CPU Interface
 - ◇ UART interface (9600 bps to 921.6 kbps, 1ch - shared with GPIOs)
 - ◇ SPI interface
- Emulator debug control interface
 - ◇ SWD (Serial Wire Debug) 2-wire (1 ch, There are two types of products, enabled or disabled for SWD function.)
- Wake-up Interface (2 ch assigned to a General Purpose IO)
 - ◇ Wake-up input function from sleep and deep sleep
- PWM Interface (4 ch assigned to General Purpose IOs)
- Reference Clock Input (26 MHz)
 - ◇ Built-in oscillator for crystal oscillator connection
- Sleep Clock Input (32.768 kHz)
 - ◇ Built-in oscillator for crystal oscillator connection
- Works as Standalone (In User-App mode, operating by standalone is possible)
- Sleep and Deep Sleep Functions
- Built-in DCDC converter and LDO
 - ◇ Wide range of input power supply voltages supported (Booting power supply voltage : 1.8 to 3.6 V, low battery voltage detection)

- Built-in general purpose ADC
 - ◇ External analog inputs assigned to GPIOs (5 ch)
 - ◇ Internal VDD monitoring (1 ch - connected inside)
- RNG function
 - ◇ Random number generator by DRBG and ESG (up to 256 bit)
 - ◇ Support random number test for NIST SP800-22 and BSI
- RTC
 - ◇ RTC function which has a frequency accuracy of Sleep clock
 - ◇ Clock/calendar function: YY/MM/DD, hh:mm:ss (24-hour clock system), and day of the week
 - ◇ Alarm function: hh:mm, set the alarm by day or day of the week, and alarm-triggered interrupt
 - ◇ Leap year function (Not supported for exception handling in every 100th year)
 - ◇ Available during Sleep and Backup modes
- Package:
 - ◇ TC3567DFSG: QFN Package [40 pin, 5 x5 mm, 0.4 mm pitch, 0.9 mm thickness]

2. Pin Function

2.1. TC3567DFSG Pin Assignment (Top View)

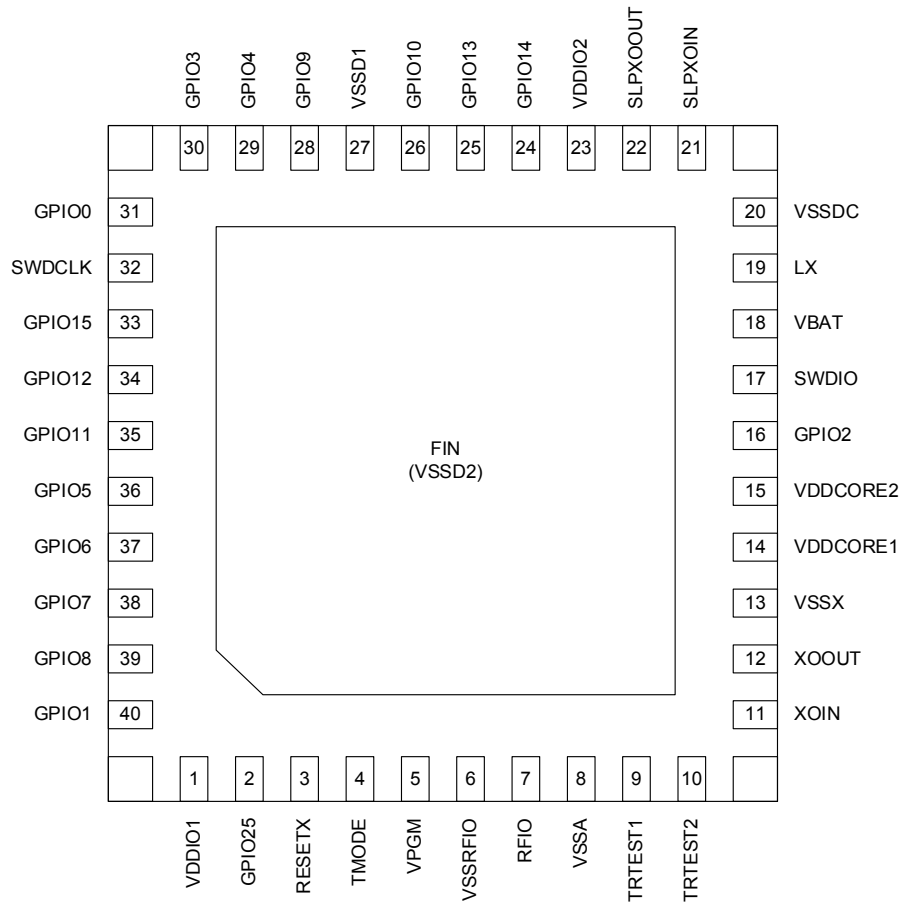


Figure 2-1 Pin Assignment (Top View)

2.2. Pin Function Descriptions

Table 2-1 shows attributes, input/output states for operating modes and descriptions for pin functions. Table 2-4 shows descriptions about power supply pins.

Table 2-1 Pin Functions

Pin name	Pin No.	Attribute	Condition	Functional description
		VDD category Direction Type	Default (during reset)	
Reset interface				
RESETX	3	VDDIO IN Schmitt trigger	—	Hardware reset input pin. Setting this pin to Low level put the system at reset state.
Clock interface				
XOIN	11	VDDCORE IN OSC	IN	Reference clock input pin. Please use oscillator with 26 MHz and < 50 ppm accuracy. A feedback resistor is built in between XOIN pin and XOOUT pin and a capacity array which can set parameters in the crystal oscillation circuit is built-in, so that external feedback resistances and capacities are unnecessary.
XOOUT	12	VDDCORE OUT OSC	OUT	Oscillator output for Baseband and RF reference clock (26 MHz) pin. A feedback resistor is built in between XOIN pin and XOOUT pin and a capacity array which can set parameters in the crystal oscillation circuit is built-in, so that external feedback resistances and capacities are unnecessary.
SLPXOIN	21	VDDIO IN OSC	IN	Sleep clock input pin from oscillator. Please use an oscillator with 32.768 kHz and < 500 ppm accuracy. A feedback resistor is built in between SLPXOIN pin and SLPXOOUT pin and a capacity array which can set parameters in the crystal oscillation circuit is built-in, so that external feedback resistances and capacities are unnecessary.
SLPXOOUT	22	VDDIO IN/OUT OSC	OUT	Oscillator output (feedback) pin for the oscillation of 32.768 kHz.

Pin name	Pin No.	Attribute	Condition	Functional description
		VDD category Direction Type	Default (during reset)	
RF interface				
RFIO	7	VDDCORE IN/OUT Analog	—	RF I/O pins. This product incorporates the 50 Ω matching circuit, so that external matching circuit is unnecessary. The RF output pattern should wire with the 50 Ω transmission line. For details, refer to the hardware application note of this product.
General purpose I/O port				
GPIO0 GPIO15	31 33	VDDIO IN/OUT Pull-up Pull-down Schmitt trigger	Refer to Table 2-2	General purpose I/O pin. During reset, the input will be disable state with disconnecting the Pull-up/Pull-down resistor. After the pin configuration by software processing, it works as a GPIO pin of the input and output or Table 2-2 function. Please refer to Table 2-2.
GPIO1 GPIO2 GPIO5 GPIO6 GPIO7 GPIO8 GPIO11 GPIO12 GPIO25	40 16 36 37 38 39 35 34 2	VDDIO IN/OUT Pull-up Pull-down Schmitt trigger	Refer to Table 2-2	General purpose I/O pin. During reset, the input will be disable state with connecting the Pull-up resistor. After the pin configuration by software processing, it works as a GPIO pin of the input and output or Table 2-2 function. Please refer to Table 2-2. In addition, GPIO1 pin is used in the case of switching operation modes. GPIO11 and GPIO12 are used as the ports for connecting to EEPROM written an user application program, to download a software written in EEPROM during booting.
GPIO3 GPIO4 GPIO9 GPIO10 GPIO14	30 29 28 26 24	VDDIO IN/OUT Pull-up Pull-down Schmitt trigger	Refer to Table 2-2	ADC input and general purpose I/O pin. During reset, the input will be disable state with disconnecting the Pull-up/Pull-down resistor. After the pin configuration by software processing, it works as a GPIO pin of the input and output or Table 2-2 function. Please refer to Table 2-2.
GPIO13	25	VDDIO IN/OUT Pull-up Pull-down Schmitt trigger	Refer to Table 2-2	General purpose IO pin. During reset, the input will be disable state with connecting the Pull-up resistor. After the pin configuration by software processing, it works as a GPIO pin of the input and output or Table 2-2 function. Please refer to Table 2-2.

Pin name	Pin No.	Attribute	Condition	Functional description
		VDD category Direction Type	Default (during reset)	
SWDCLK	32	VDDIO IN Pull-up Pull-down Schmitt trigger	Pull-down	Serial Wire debugger clock pin. During the reset, it remains in the input state with connecting the Pull-down resistor. After the reset is released, it will be the input of the Serial Wire Debugger clock. When not used, this pin should be open.
SWDIO	17	VDDIO IN/OUT Pull-up Pull-down Schmitt trigger	Pull-up	Serial Wire Debugger data pin and operation switching pin. During the reset, it remains in the input state with connecting the Pull-up resistor. After the reset is released, it will be the input and output of the Serial Wire Debugger data. When not used, this pin should be open.
IC test interface				
TMODE	4	VDDIO IN Schmitt trigger	—	Test mode setting pin. This pin is used for IC manufacturing test and need to be connected to GND when assembled on a board.
TRTEST1	9	VDD12A	—	Analog test pins. These pins are used for IC manufacturing test and need to be connected to GND when assembled on a board.
TRTEST2	10	IN/OUT Analog	—	

2.3. GPIO function list

GPIO pins can be assigned to UART I/Fs, serial memory I/Fs and etc. by TC3567D firmware or command from external Hosts. Table 2-2 shows available functions, during reset status and software controlling after reset release for each GPIO pin, and Table 2-3 shows examples of GPIO function settings. About what function name shown in Table 2-2 is assigned to a plurality of pins in the same, please note that it cannot be assigned to select a plurality of pins at the same time.

Table 2-2 Available functions for GPIO

Pin	During reset status	After reset release	Function 1	Function 2	Function 3	Function 4	Analog input	Pin state at unused
GPIO0	Disable/ Hi-Z	Disable/ Disconnection: Pull-up, Pull-down	WakeUp0 Input	—	—	—	—	Open
GPIO1	Disable/ Pull-up	Input/ Pull-up (Note2)	PWM0 Output	—	—	—	—	Open (Note1)
GPIO2	Disable/ Pull-up	Input/ Pull-up (Note2)	PWM1 Output	—	—	—	—	Open (Note1)
GPIO3	Disable/ Hi-Z	Disable/ Disconnection: Pull-up, Pull-down	PWM2 Output	SPI-DOUT Output	—	—	ADC1 Input	Open
GPIO4	Disable/ Hi-Z	Disable/ Disconnection: Pull-up, Pull-down	PWM3 Output	SPI-DIN Input	—	—	ADC2 Input	Open
GPIO5	Disable/ Pull-up	Input/ Pull-up (Note3)	UART1-TX Output	SPI-DOUT Output	—	—	—	Open
GPIO6	Disable/ Pull-up	Input/ Pull-up (Note3)	UART1-RX Input	SPI-DIN Input	—	—	—	Open
GPIO7	Disable/ Pull-up	Input/ Pull-up	I2C-SCL Output	—	SPI-SCS Output	UART1-RTSX Output	—	Open
GPIO8	Disable/ Pull-up	Input/ Pull-up	I2C-SDA I/O	—	SPI-SCLK Output	UART1-CTS Input	—	Open
GPIO9	Disable/ Hi-Z	Disable/ Disconnection: Pull-up, Pull-down	—	—	—	—	ADC3 Input	Open
GPIO10	Disable/ Hi-Z	Disable/ Disconnection: Pull-up, Pull-down	—	—	—	—	ADC4 Input	Open
GPIO11	Disable/ Pull-up	Input/ Pull-up	I2C-SCL Output (Note4)	SPI-DOUT Output	—	—	—	Open
GPIO12	Disable/ Pull-up	Input/ Pull-up	I2C-SDA I/O (Note4)	SPI-DIN Input	—	—	—	Open
GPIO13	Disable/ Pull-up	Input/ Pull-up	UART1-RTSX Output	—	—	—	—	Open
GPIO14	Disable/ Hi-Z	Disable/ Disconnection: Pull-up, Pull-down	UART1-CTS Input	—	—	—	ADC5 Input	Open
GPIO15	Disable/ Hi-Z	Disable/ Disconnection: Pull-up, Pull-down	WakeUp1 Input	—	—	—	—	Open
GPIO25	Disable/ Pull-up	Input/ Pull-up	—	—	—	—	—	Open

Note1: Handle with care because of using operation mode switching.

Note2: Except in User-App mode, it becomes Pull-down.

Note3: In the HCI mode, the pull-up / pull-down resistor is disconnected.

Note4: GPIO11 and GPIO12 are used as the ports for connecting to EEPROM written an user application program, to download a software written in EEPROM during booting.

Note: About the GPIO pin state, the state in case of using in the user application mode is shown. When it is turned on in HCI mode, a part of the state becomes different. Therefore, for detail states of each pin, refer to the software application note.

Table 2-3 Example of GPIO function setting

Pin name	Example of basic setting	Example of function setting 1	Example of function setting 2	Example of function setting 3	ADC
GPIO0	WakeUp0	—	—	—	—
GPIO1	PWM0	PWM0	—	—	—
GPIO2	PWM1	PWM1	—	—	—
GPIO3	SPI-DOUT	PWM2	SPI-DOUT	—	ADC1
GPIO4	SPI-DIN	PWM3	SPI-DIN	—	ADC2
GPIO5	UART1-TX	UART1-TX	SPI-DOUT	—	—
GPIO6	UART1-RX	UART1-RX	SPI-DIN	—	—
GPIO7	SPI-SCS	I2C-SCL	—	SPI-SCS	—
GPIO8	SPI-SCLK	I2C-SDA	—	SPI-SCLK	—
GPIO9	ADC3	—	—	—	ADC3
GPIO10	ADC4	—	—	—	ADC4
GPIO11	I2C-SCL	I2C-SCL (Note1)	SPI-DOUT	—	—
GPIO12	I2C-SDA	I2C-SDA (Note1)	SPI-DIN	—	—
GPIO13	UART1-RTSX	UART1-RTSX	32kHz output	—	—
GPIO14	UART1-CTSx	UART1-CTSx	32kHz output	—	ADC5
GPIO15	WakeUp1	—	—	—	—
GPIO25	GPIO25	—	—	—	—

Note1: GPIO11 and GPIO12 are used as the ports for connecting to EEPROM written an user application program, to download a software written in EEPROM during booting.

Note: For details, refer to the firmware specifications since other settings of those shown in this table may be possible.

2.4. Power Supply Pins

Table 2-4 shows the attributes and descriptions of power supply pins for normal operations.

Table 2-4 Power supply pins

Pin name	Pin number	Attribute	Description
		Type VDD/GND	
VDD/GND			
VPGM	5	TEST —	Test pin Please connect VPGM to GND.
VBAT	18	VBAT VDD	Power supply pin for DCDC and sleep circuit. Connect the external power source for DCDC and LDO built into the IC.
LX	19	VBAT VDD	DCDC output pin. Please connect to external inductor for DCDC.
VDDCORE1	14	— VDD	DCDC for feedback input, analog circuit power supply pin. Please connect to external inductor for DCDC.
VDDCORE2	15	— VDD	DCDC for feedback input, digital circuit power supply pin. Please connect to external inductor for DCDC.
VDDIO1	1	VDDIO	IO power supply
VDDIO2	23	VDD	Power supply pin for GPIO.
VSSA	8	Analog GND	GND pin for analog, this pin needs to be connected to GND.
VSSRFIO	6	Analog GND	GND pin for RFIO, this pin needs to be connected to GND.
VSSX	13	Analog GND	GND pin for OSC, this pin needs to be connected to GND.
VSSDC	20	Digital GND	GND pin for DCDC, this pin needs to be connected to GND.
VSSD1	27	Analog,	GND pin for analog, digital common, this pin needs to be connected to GND.
VSSD2	FIN	Digital GND	Connect the exposed Die Pad to GND because this pad is digital ground as well.

3. System Configuration

3.1. Block Diagram

Figure 3-1 shows block diagram of TC3567D.

TC3567D is powered by single voltage between 1.8 V and 3.6 V.

The chip has built-in DCDC and LDO requiring external capacitors.

It uses 26 MHz reference clock and 32.768 kHz sleep clock.

External memory Interface is SPI or I²C, and host CPU interface is UART.

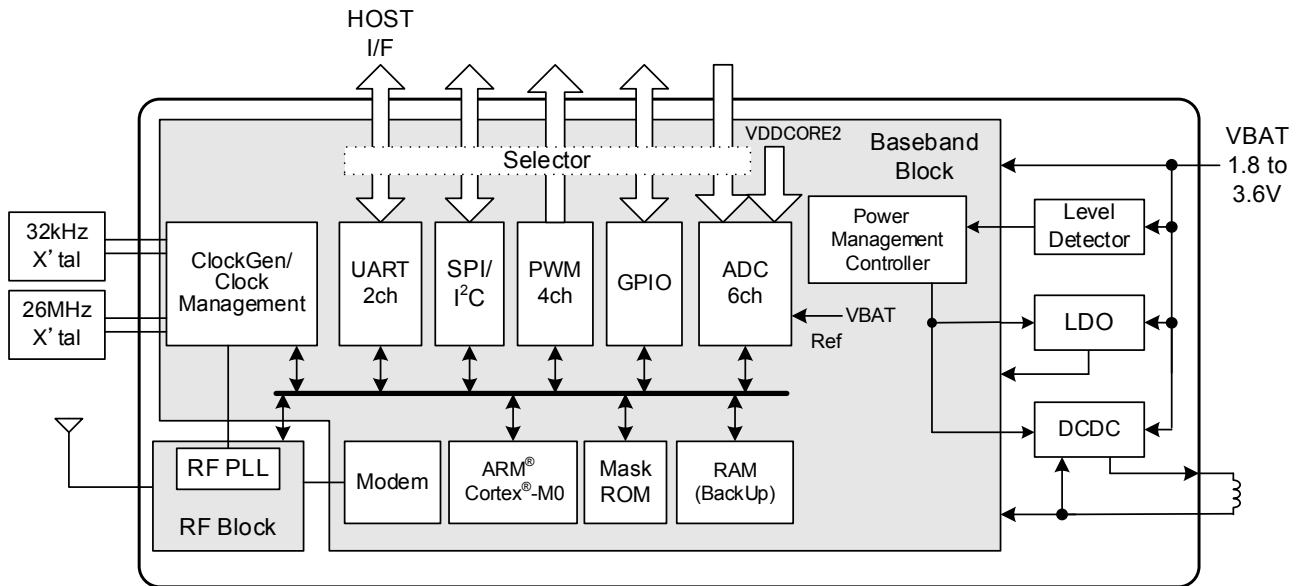


Figure 3-1 Example of TC3567D system configuration

3.2. Boot Sequence

The boot sequence of TC3567D is as shown below.

Depending on the pin state of GPIO1 at the time of reset release, it can be used to switch between User-App mode and HCI mode.

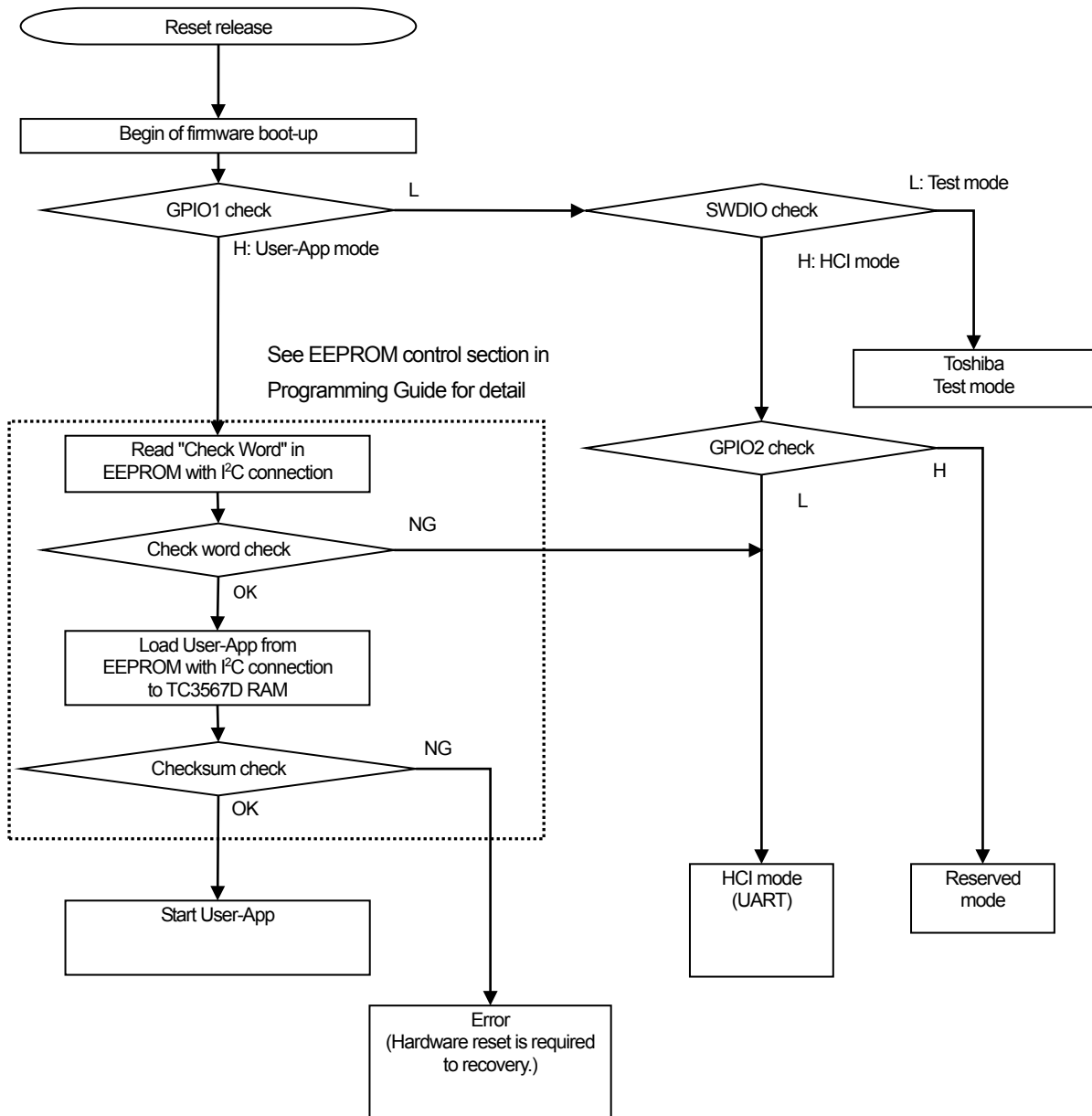


Figure 3-2 Boot Sequence of TC3567D

4. Functional Specifications

4.1. Bluetooth® Function

The Bluetooth® function is realized by using the hardware which is configured with RF analog and baseband, and the software on a mask ROM. Only connecting a crystal oscillator and some discrete parts externally, the Bluetooth® wireless communication can work.

4.1.1. Supported Function

This function is compliant with Bluetooth® V4.2 low energy standard. Main supported functions are shown below.

Table 4-1 List of supported functions

Items	Description	Notes
Bluetooth Core	4.2	LE is supported.
v4.0 features	Central	Supported
	Peripheral	Supported
	Multi Profile/point	Supported
	Connection Update	Supported
	Random Address	Supported
	WhiteList	Supported
	Security Property (Just Works)	Supported
	Security Property (PassKey Entry)	Supported
	Security Property (OOB)	Supported
	Security Property (Numeric Comparison)	Supported
	GATT-Client	Supported
	GATT-Server	Supported
	Broadcaster	Supported
Observer	Supported	
v4.1 features	Low Duty Cycle Directed Advertising	Supported
	32-bit UUID support in LE	Supported
	LE L2CAP Connection Oriented Channel Support	Not supported
	LE Privacy v1.1	Supported
	Connection Parameter Request Procedure	Supported
	Extended Reject Indication	Supported
	Slave-initiated Features Exchange	Supported
	LE Ping	Supported
	Act as LE Master and LE Slave at the same time	Supported
	Act as LE Slave to more than one LE Master at the same time	Supported
v4.2 features	LE Data Packet Length Extension	Supported (Note)
	LE Secure Connections	Supported
	Link Layer Privacy	Not supported
	Link Layer Extended Scanner Filter Policies	Supported

Note: LE Data Packet Length Extension is supported but maximum Tx octets is limited by maximum MTU size; 158 octets.

4.1.2. Support Protocol Layer

Following figure shows the Bluetooth Protocol and Profile Layer supported.

It has RF control, Link layer, internal HCI, L2CAP, ATT, SMP and GATT.

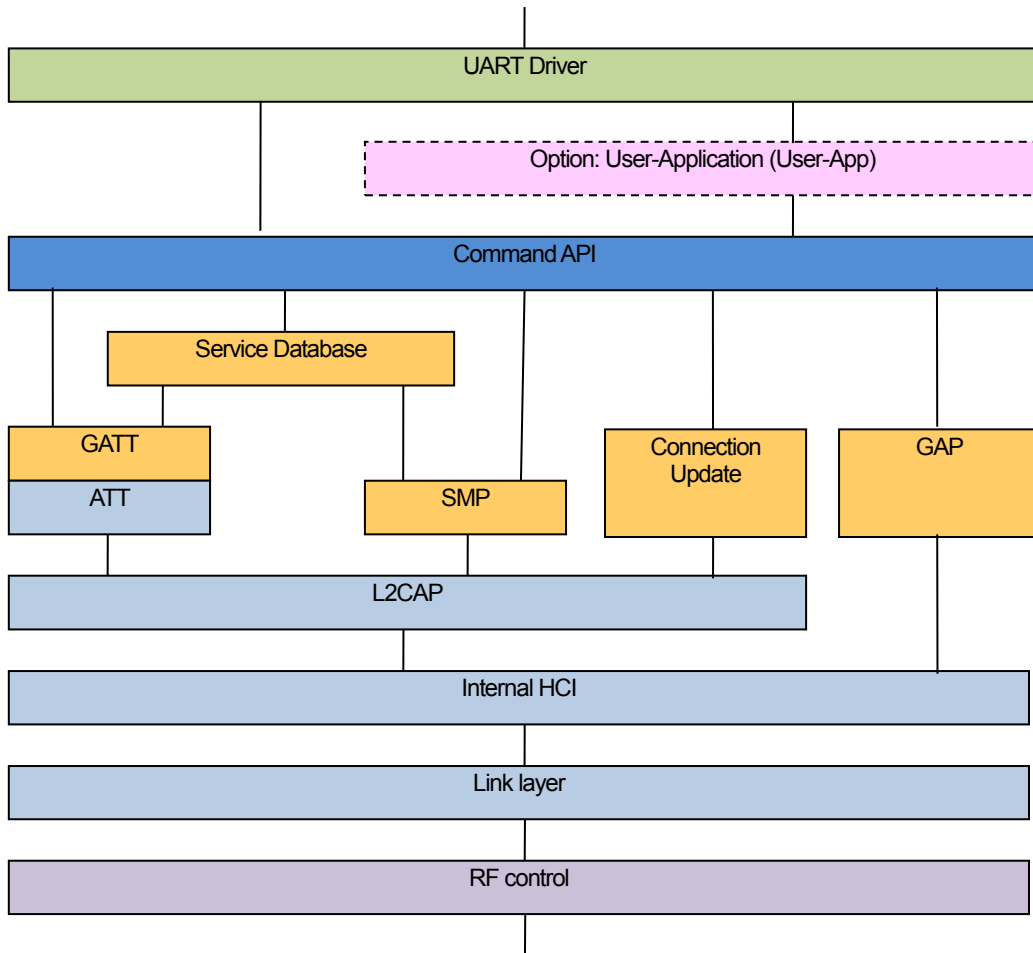


Figure 4-1 Protocol Layer

4.1.3. RF

Since the RF analog part of TC3567D builds in not only transmission and reception circuits but also the RF switch and the matching circuit, the RFIO pin which is a single I/O does not need an external matching circuit. The wireless device which suits for RF-PHY specifications of Bluetooth® low energy can be realized easily by connecting to 50 Ω wiring.

The transmission power can be selected from intended power between 0 and -20 dBm (4 dB steps). Not only default transmission power but also transmission power to the specified destination can be set. The RSSI of reception block has an accuracy of ± 2 dB (typ.) to the input signal between -90 and -10 dBm.

4.1.4. Auto Advertise Function

Using an auto advertise function enables repeating transmissions of advertise packets with very small power. The auto advertise function is a function which transmits intended advertise packets without waking CPU up in Backup mode. Then, a scan request and a connection request can be also received. The response to the remote device can be preset in case of receiving a scan request, and when one connection request is received, this function wakes CPU up and leaves a subsequent process to the user software.

4.2. Reset Interface (Power up sequence)

4.2.1. Features

Reset interface has the following features.

- 1.8 to 3.6 V operation
- Level sensitive asynchronous reset (Low level: reset)

The external reset signal connected to TC3567D should be at reset status (RESETX = Low) when the power is turned on. When the power supply has become over 1.8 V, to be disable the external reset signal (RESETX = High). Then, the crystal oscillation starts, and an internal timer releases the internal reset after the crystal oscillation has become stable.

4.2.2. Connection Example

Reset signal can be input by an RC time constant circuit or an asynchronous level sensitive reset IC. Figure 4-2 shows a connection example where TC3567D is power-supplied by an RC time constant circuit. Reset signal can be given by RC time constant circuit. Figure 4-3 shows the timings to reset and reset-release for the power supply.

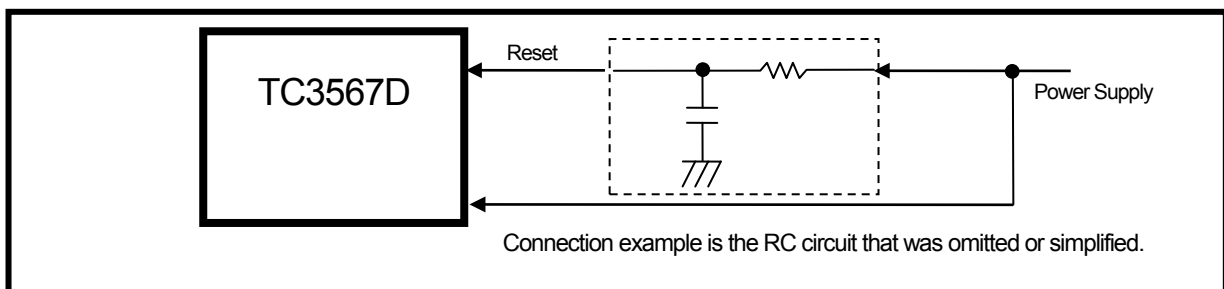


Figure 4-2 Reset signal connection example

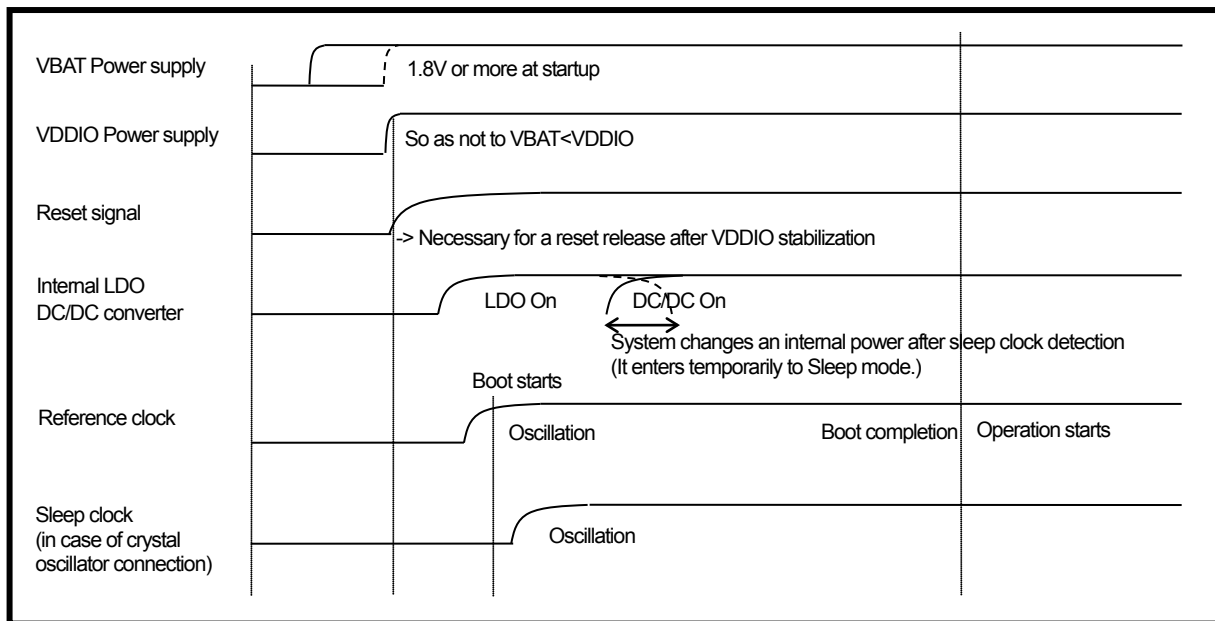


Figure 4-3 Power-on reset release sequence

4.3. UART Interface

4.3.1. Features

TC3567D UART interface has the following features.

- 1.8 to 3.6 V operation
- Full-duplex start-stop synchronization data transfer (RX, TX, CTSX, RTSX)
- Two-wire start-stop synchronization data transfer (RX, TX) or four-wire start-stop synchronization data transfer (RX, TX, CTSX, RTSX) are available depending on the settings.
- Start bit field (1 bit), data bit field (8 bit, LSB first), stop bit field (1 bit), no parity bit
- In HCI mode, UART TX/RX pins can be switched by commands.
- Programmable baud rate: 9600 bps to 921.6 kbps.
- More than 3 characters are inserted between TX messages. Interval can be changed on the command.
- Error detection (receiver timeout error, receiver over run error, receiver frame error)
- Host wake up function

TC3567D communicates commands, status, and data with a host CPU through UART interfaces. The UART interfaces are shared with GPIO pins, and during boot process after a reset, TC3567D firmware assigns UART functions to the GPIOs. The UART interfaces can operate at 1.8 to 3.6 V depending on the VDDIO power supply voltage. Sharing the power supply pin with other hardware interfaces, they cannot operate at a different voltage from the one other hardware interfaces operate at.

4.3.2. Connection Example

TC3567D UART can be connected with an UART interface on a host CPU. Figure 4-4 shows an example of two-wire start-stop synchronization data transfer connection with an external host CPU. Figure 4-5 shows the timing when UART is assigned to GPIO and activated.

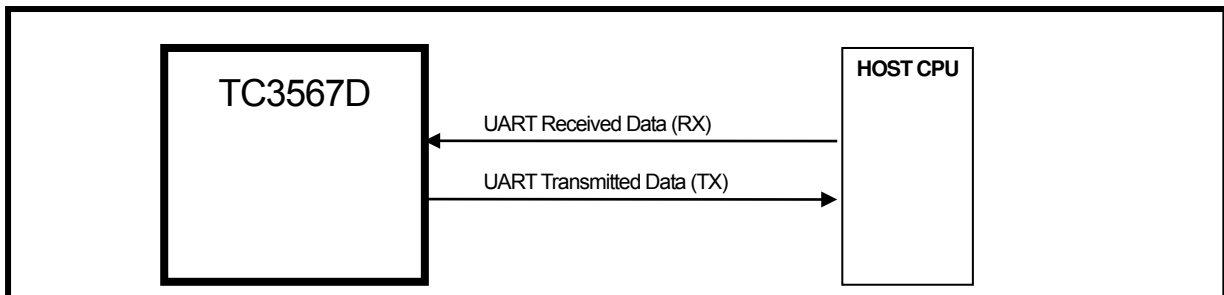


Figure 4-4 UART connection example

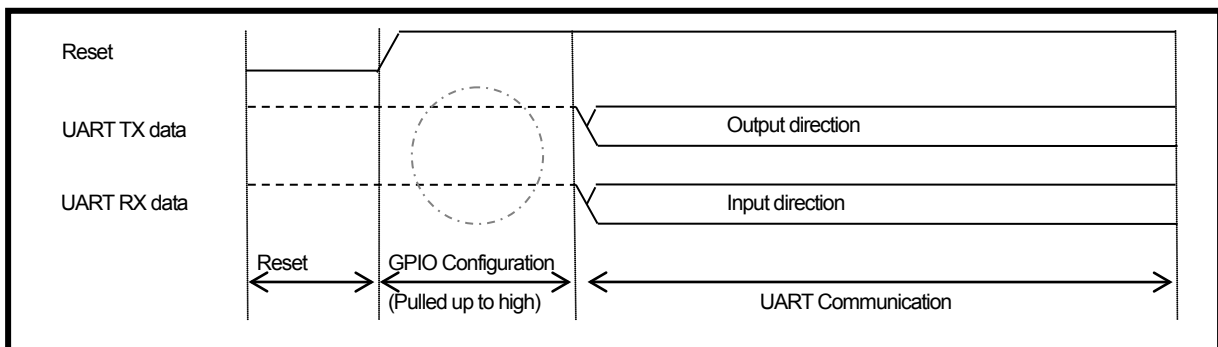


Figure 4-5 Timing for UART function assignment

4.3.3. Frame Format

TC3567D supports the following format:

- Number of data bits: 8 bits (LSB first)
- Parity bit: no parity
- Stop bit: 1 stop bit
- Flow control: RTSX/CTSX

Figure 4-6 shows UART data frame.

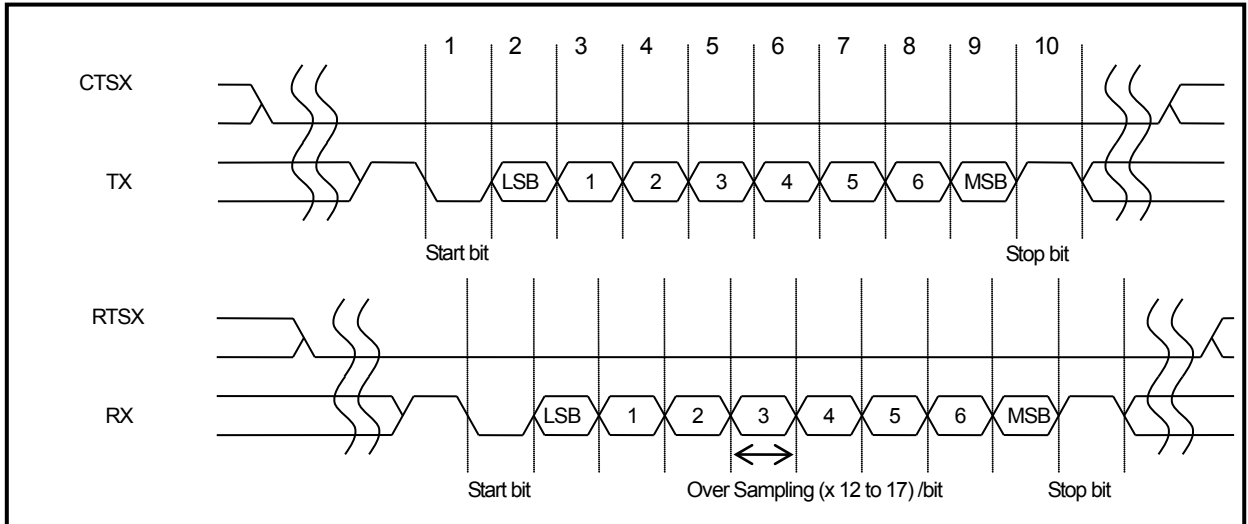


Figure 4-6 UART data frame

4.3.4. Flow Control Function

Hardware flow control is available when TC3567D UART interface is assigned to GPIO5 to GPIO8 (GPIO5, 6, 13, 14) as four-wire start-stop synchronization data transfer. Transmit flow control (CTSX) and receive flow control (RTSX). Figure 4-7 shows signals input and output direction.

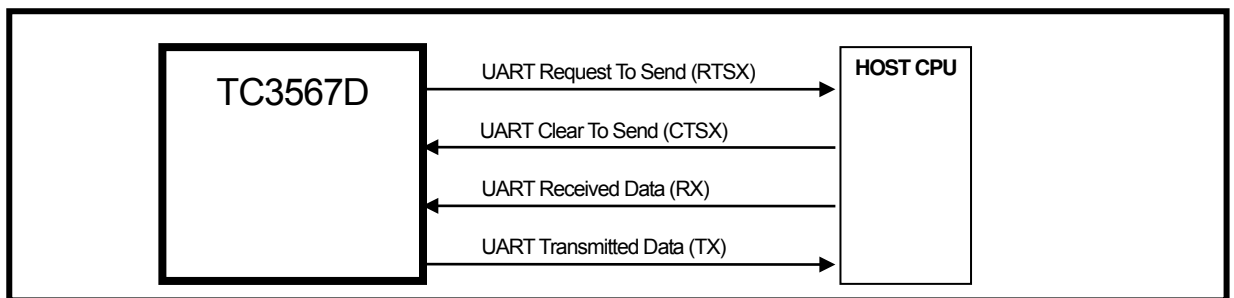


Figure 4-7 UART connection example

CTSX (Clear to Send) input signal is used for UART transmitting. Low input indicates the peer device (for example, the host in the Figure 4-7) is ready to receive data, and TC3567D sends data if it has data to transmit. On the other hand, TC3567D stops transmitting on the basis of UART unit frame when CTSX input is high.

RTSX (Request to Send) output signal is used for UART receiving. Low output indicates TC3567D is ready to receive data and requests data to the peer device. TC3567D outputs RTSX low when ready to receive data. When the UART becomes busy and cannot receive data, TC3567D outputs RTSX high, and stops UART communication on the basis of UART unit frame.

Response time of UART transmitting and receiving to flow control signals is between 1 frame to 4 frames depending on the baud rate and internal process status of frame.

4.3.5. Baud rate

UART baud rate of TC3567D is generated from 26 MHz clock. It is calculated from the number of oversampling and the division ratio as follows; The oversampling number can be set between 12 and 17. The division ratio can be set between 1 and 65535.

$$\text{UART baud rate} = \frac{\text{Baud rate generation clock frequency}}{\text{Number of oversampling} \times \text{Division ratio}}$$

Table 4-2 shows the actual baud rate values that can be set for the TC3567D. The TC3567D can receive data with an error of up to ±2% of the actual baud rate. Set the baud rate of the host CPU within this range.

Table 4-2 Typical UART baud rate configuration

Ideal baud rate [bps]	Actual baud rate [bps]	Oversampling number	Division ratio
9600	9587.021	12	226
14400	14396.46	14	129
19200	19174.04	12	113
28800	28856.83	17	53
38400	38461.54	13	52
57600	57777.78	15	30
76800	76923.08	13	26
115200	115555.6	15	15
153600	153846.15	13	13
230400	232142.9	16	7
307200	305882.4	17	5
460800	464285.7	14	4
921600	928571.4	14	2

4.3.6. TX message spacing function

TC3567D spaces more than 12 time frames between different TX messages making less than 12 time frames between TX frames in a TX message when several TX frames belong to one TX message. Host CPU is able to know the boundaries between TX messages by measuring time frames between TX frames.

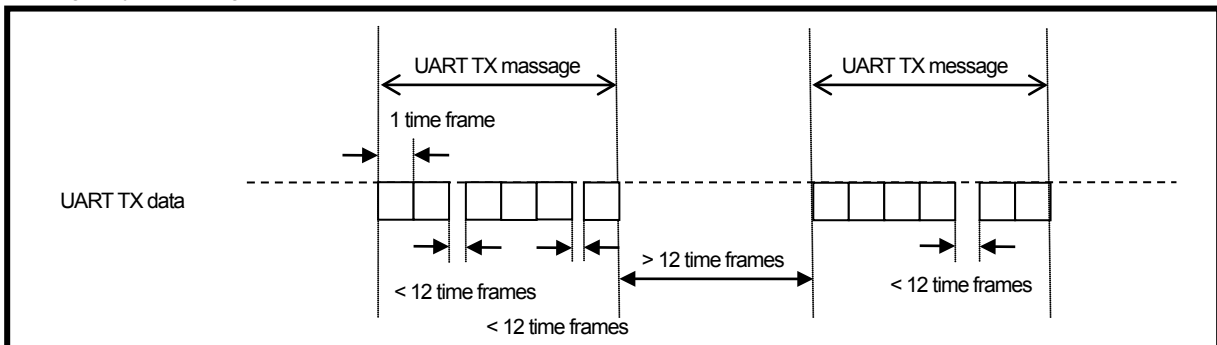


Figure 4-8 TX frames and TX messages

4.3.7. Error Detecting Functions

TC3567D UART interface has 3 kinds of error detecting functions.

- Receiver timeout error
- Receiver over run error
- Receiver frame error

Receiver timeout error detection judges an error if an UART RX message made from several RX frames has an RX frame interval longer than a certain value. The interval is counted by internal timer. Keep the interval between RX frames less than 12 time frames that belong to an RX message. For UART1, keep intervals between different RX messages more than 12 time frames. For example, 115200 bps has 0.087 ms for 1 frame, the interval between RX messages should be longer than $0.087 \text{ ms} \times 12 = 1.04 \text{ ms}$. RX messages that has intervals less than 12 time frames gives an error because TC3567D sees them as one UART RX message. Interval of the received frame is the default in the 12 time frame, but it can be changed by the command.

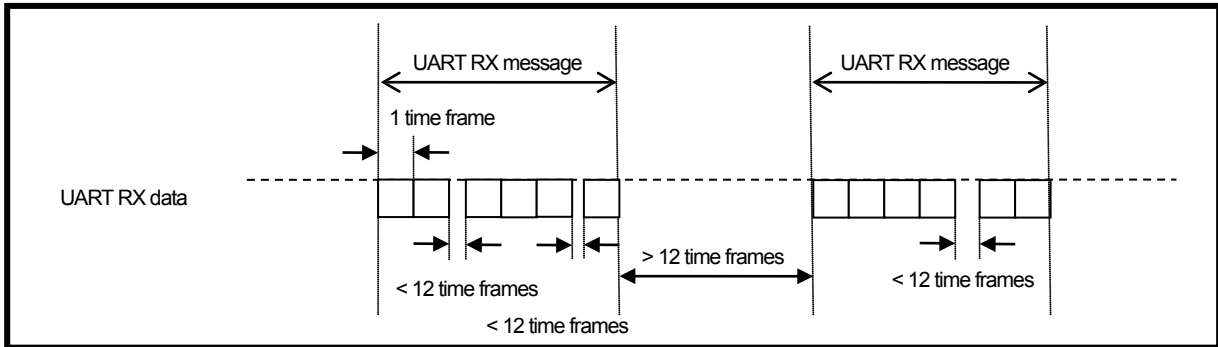


Figure 4-9 RX frames and RX messages

Receiver over run error judges if UART receive frame buffer internal TC3567D is overflowed. Normally, this overflow does not happen when the flow control mentioned in 4.2.4 is activated for data communication.

Receiver frame error judges if failing recognize the unit frame. A frame formation is judged as failure when its start bit is detected and the corresponding stop bit is detected as "0".

4.3.8. Host Wake up Function

TC3567D can wakes up its host before sending UART data to the host. This function is disabled by default, but can be assigned to GPIO by command. Host wake up time can be changed by command (10 ms by default).

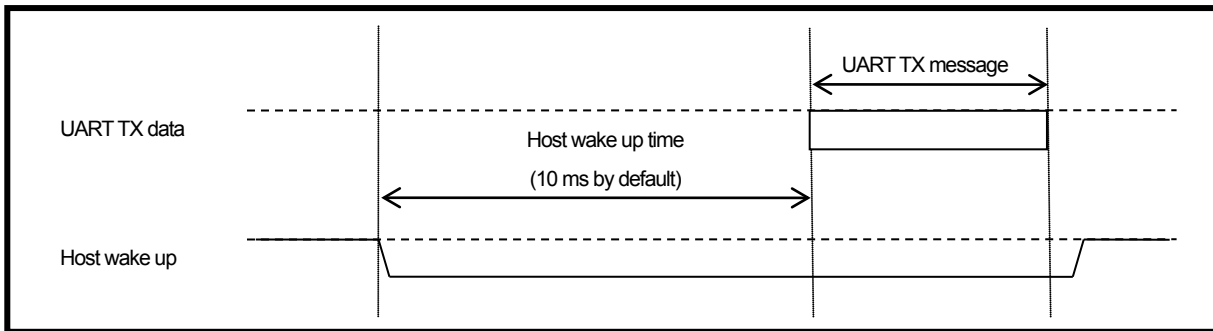


Figure 4-10 Host wake up

4.3.9. HCI mode

When TC3567D is used in the HCI mode, UART is the host interface to receive HCI commands. The Bluetooth[®] wireless performance can be tested in HCI mode by the measurement equipment which connects the UART directly.

4.3.9.1. HCI Reset

Sends a HCI reset command from the host, at least 150 μ s from the command complete event can be processed the following command successfully.

4.4. SPI Interface

4.4.1. Features

TC3567D has the following main features for a serial memory interface

- Operation voltage: 1.8 to 3.6 V
- SPI interface
 - Chip select: 1 ch
 - Chip select polarity: Selectable: High-active and Low-active
 - Serial clock master operation: Polarity and phase are adjustable (4 combinations are selectable)
 - Serial clock frequency: 25 Hz to 6.5 MHz
 - Serial data transfer mode: MSB-first, LSB-first

SPI interface can operate at 1.8 to 3.6 V depending on VDDIO, however, cannot operate at different voltage from ones other interfaces are operate at.

4.4.2. Connection Example

TC3567D SPI interface can be connected to serial EEPROMs and serial Flash-ROMs and has 1 chip select port. Figure 4-11 shows a connection example, where a serial Flash-ROM is connected to TC3567D SPI interface.

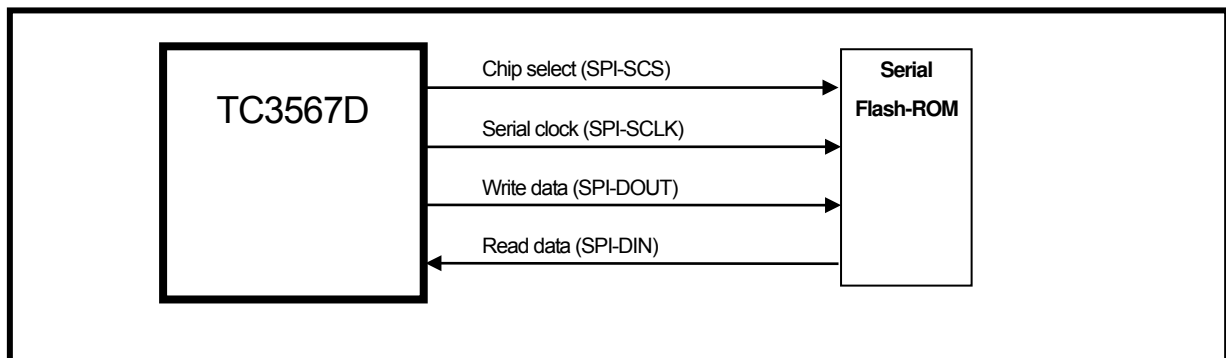


Figure 4-11 Connection example for serial Flash-ROM using SPI interface

4.4.3. Frame Format

When the SPI interface is connected to external ICs, the first 8 bit (X7 to X0) specifies the address and read or write mode. The command recognition code type and the address bit width should be determined by the external IC in use. For more information in detail, please refer to the technical documents for the external IC.

Figure 4-12 shows an example where 8-bit address is written and then 8-bit data is read. Figure 4-13 shows an example where 8-bit address is written and then 8-bit data is written.

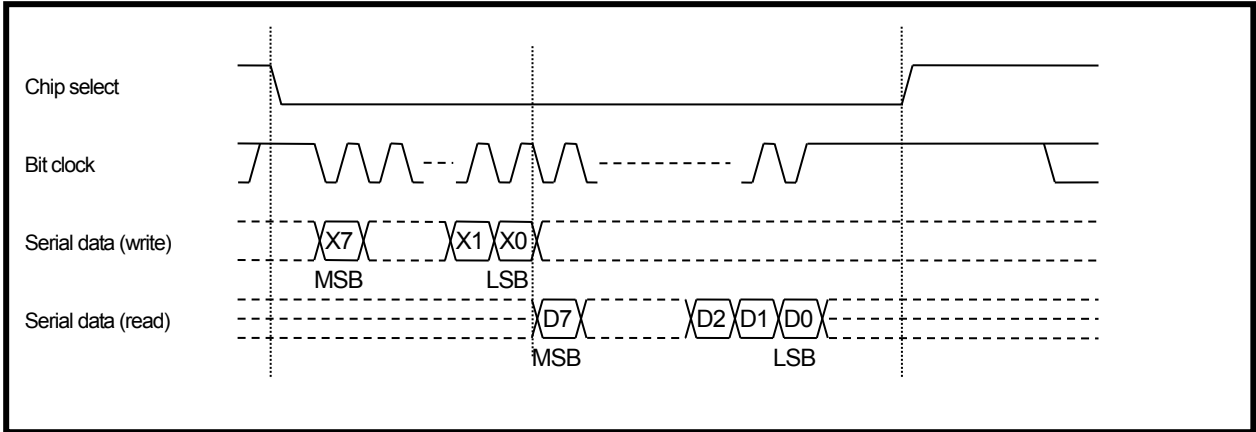


Figure 4-12 SPI format (single byte read)

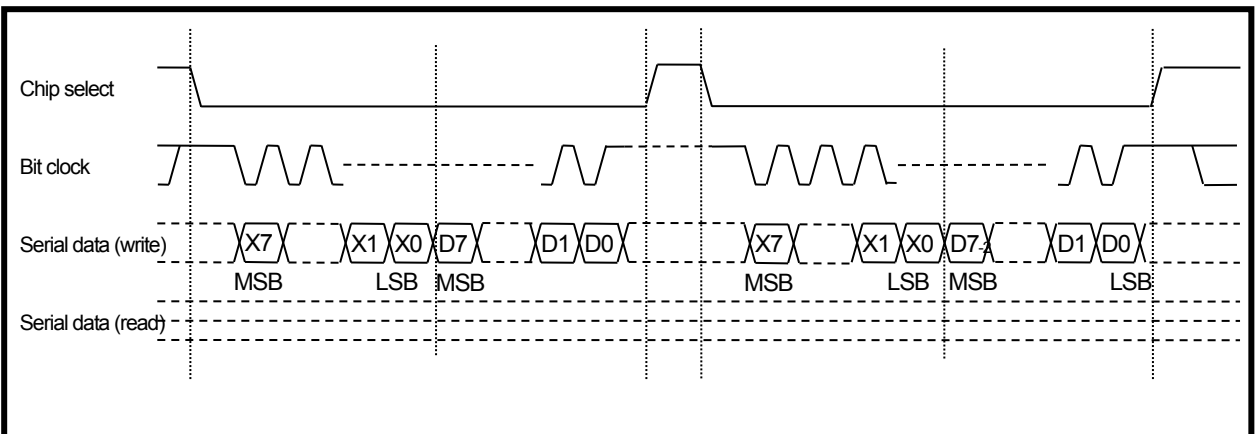


Figure 4-13 SPI format (single byte write)

4.5. I²C Interface

4.5.1. Features

I²C has the following main features for a serial interface.

- Operation voltage: 1.8 to 3.6 V
- I²C Interface
 - Operation mode: I²C bus master
 - Serial clock frequency: Standard mode (Max 100 kHz), Fast mode (Min 100 kHz to Max 400 kHz)
 - Output mode: Open-drain output, CMOS output
 - Device address format: 7-bit address (10-bit address is not supported)

I²C interface can operate at 1.8 to 3.6 V depending on VDDIO, however, cannot operate at different voltage from ones other interfaces are operate at.

4.5.2. Connection Example

Figure 4-14 shows a connection example of a serial EEPROM using I²C bus interface of the open-drain mode. External pull-up resistors (Rext) are necessary for both serial clock line and serial data line.

Figure 4-15 shows another connection example where I²C bus is in the CMOS output mode. Only the serial data line needs Rext because this line can be driven by neither TC3567D nor a serial EEPROM.

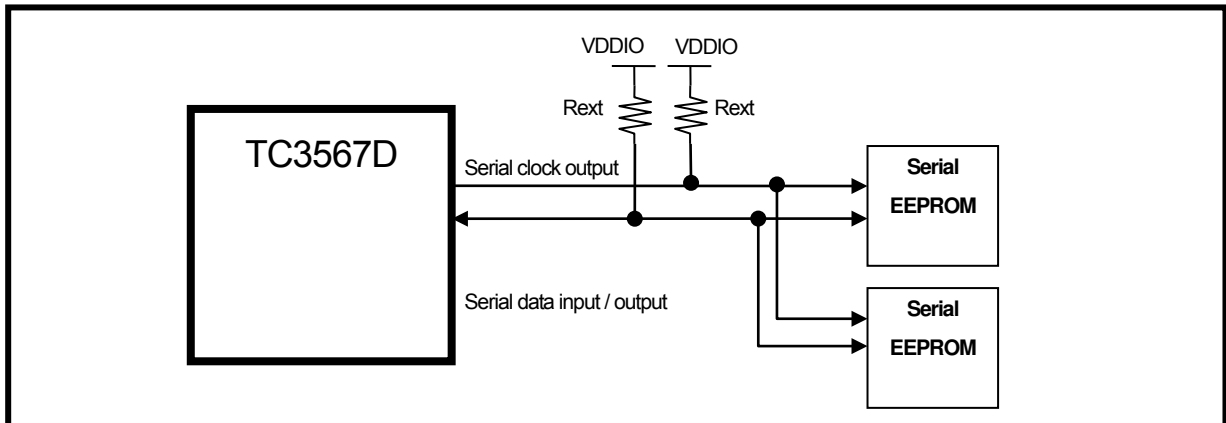


Figure 4-14 Connection example for serial EEPROM with I²C-bus interface (Open-drain output)

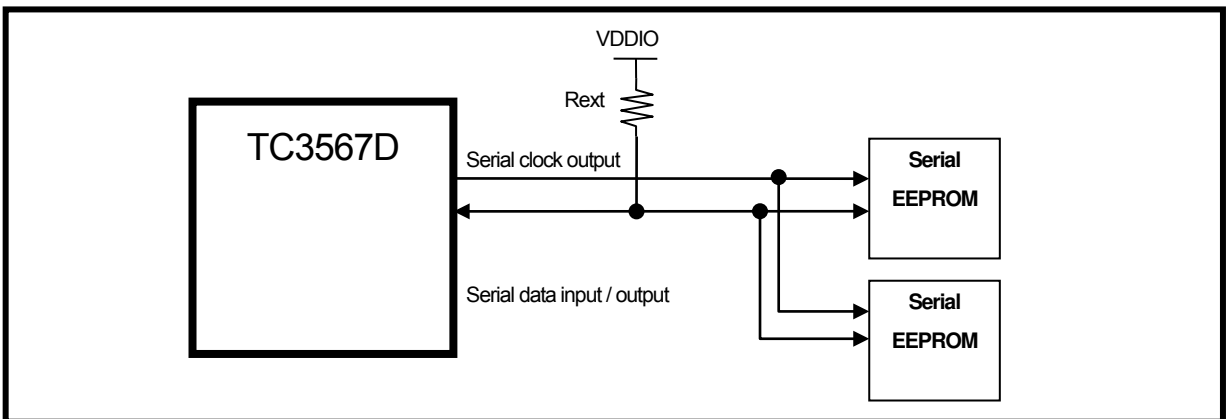


Figure 4-15 Connection example for serial EEPROM with I²C-bus interface (CMOS output)

4.5.3. Selection of External Pull-up Resistor Value

An external pull-up resistor value needs to be selected by the following equations in case of I²C bus interface. Its maximum value is defined by equation (1), in which t_r is rise time of serial clock and data and C_b is I²C bus capacity. Its minimum value is defined by equation (2), in which VDDIO is a supply voltage for TC3567D, V_{ol_max} is the maximum value of low level output voltage, and I_{ol} is the low level output current. Please set the pull-up resistor value between these lower and upper limits.

$$R_{ext_max} = \frac{t_r}{0.8473 \times C_b} \quad (1)$$

$$R_{ext_min} = \frac{VDDIO - V_{ol_max}}{I_{ol}} \quad (2)$$

TC3567D supports I²C bus standard mode (Max 100 kHz) and I²C bus fast mode (Min 100 kHz to Max 400 kHz). The rise time t_r is 1000 ns for the standard mode and it is 300 ns for the fast mode. C_b can vary depending on the IC board and how it is implemented. Table 4-3 and Table 4-4 show examples when I²C bus capacity is 20 pF.

Table 4-3 External pull-up resistor value for I²C standard mode (Cb = 20 pF)

I ² C bus frequency	Max 100 kHz								
t_r [ns]	1000								
C_b [pF]	20								
VDDIO [V]	1.8			3.0			3.6		
V_{ol_max} [V]	0.3			0.4			0.4		
I_{ol} [mA]	1	2	4	1	2	4	1	2	4
R_{ext_min} [kΩ]	1.50	0.75	0.38	2.60	1.30	0.65	3.20	1.60	0.80
R_{ext_max} [kΩ]	59.01								

Table 4-4 External pull-up resistor value for I²C fast mode (Cb = 20 pF)

I ² C bus frequency	Min 100 to Max 400 kHz								
t_r [ns]	300								
C_b [pF]	20								
VDDIO [V]	1.8			3.0			3.6		
V_{ol_max} [V]	0.3			0.4			0.4		
I_{ol} [mA]	1	2	4	1	2	4	1	2	4
R_{ext_min} [kΩ]	1.50	0.75	0.38	2.60	1.30	0.65	3.20	1.60	0.80
R_{ext_max} [kΩ]	17.70								

4.5.4. Frame Format

For I²C format, TC3567D first generates start condition. Then, it sends device recognition address (7 bit: [A6:A0]) and the first byte address ([B7:B0]) for the access target. Next, it goes for read or write sequence. For I²C, every data is sent as MSB first. How to specify the value and byte address of the device identification address, and it has been determined in accordance with the device to be connected. In order to be connected, it must match the device to be connected. For read operation, TC3567D returns to the serial memory either receive acknowledge bit (ACK) or receive not acknowledge bit (NACK) every time it receives one byte. For write operation, TC3567D receives either ACK or NACK from the serial memory every time it sends one byte. It can handle not only one byte but also several bytes in a row. TC3567D generates stop condition when it has finished all the read or write of data.

Figure 4-16 shows an example where TC3567D reads two-byte data. Figure 4-17 shows an example where TC3567D writes two-byte data. In these examples, gray texts and lines indicate signals that are given by the serial memory. For read operation, after having read the final byte data, TC3567D returns NACK with which the serial memory gets to know the completion of the read operation.

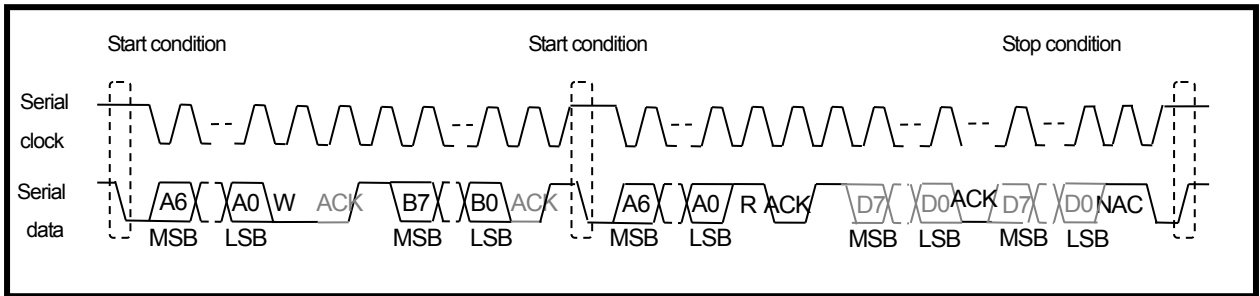


Figure 4-16 I²C format (Serial memory, read)

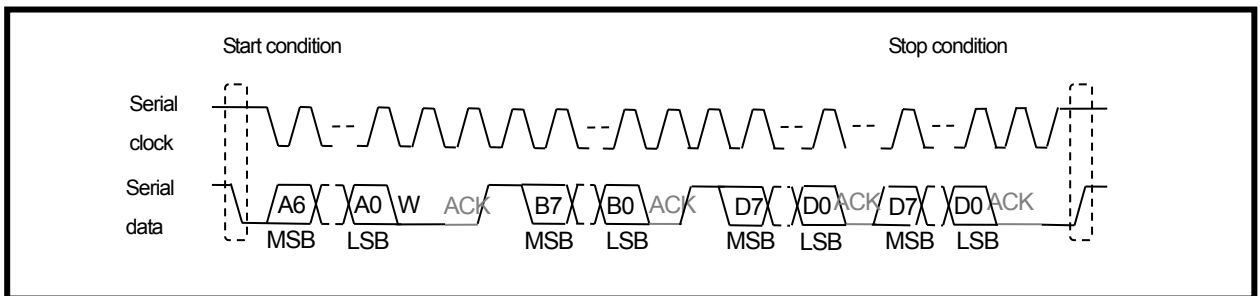


Figure 4-17 I²C format (Serial memory, write)

4.6. PWM Interface

TC3567D has a PWM interface that can be used for LED, buzzer control, etc.

The PWM interface has the following features.

- Arbitrary pulse generation function
- It can select the source clock from 13 MHz and 32.768 kHz
- It has 12-bit clock division setting up to 1/4096: 8 Hz to 16.384 kHz (32.768 kHz), 3.17 kHz to 6.5 MHz (13 MHz)
- The pulse output can be masked by the regular pattern whose period is one second with 50 ms unit width (Rhythm function).
- It can generate an interrupt which is synchronized to the rhythm pattern period 1 s.
- It can switch the pulse output to Low / High active
- It can adjust the duty cycle of the pulse output.

4.6.1. Pulse Generation Function

Figure 4-18 shows a brief explanation of the pulse generation. TC3567D can adjust output pulse frequency by changing its cycle.

Also it can adjust on/off ratio by changing its duty.

The cycle (frequency) can be set from 8 Hz to 16.384 kHz for 32.768 kHz clock, and from 3.17 kHz to 6.5 MHz for 13 MHz clock.

The duty can be set from 0% to 100%

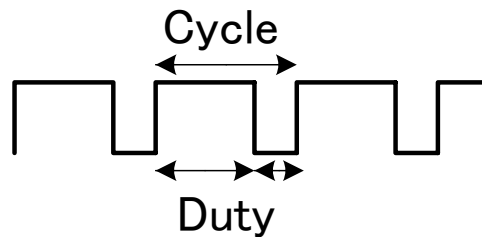


Figure 4-18 PWM pulse generation function

4.6.2. Rhythm Function (Output Masking)

Figure 4-19 shows the brief explanation of PWM rhythm function. In addition to the one for pulse generation, TC3567D has another timer that has $50\text{ ms} \times 20 = 1\text{ s}$ (rhythm counter). That timer has 20-bit register (pattern register), each bit corresponds to the rhythm counter that counts down in every 50 ms. When the pattern register is zero, the PWM output is masked to zero or one. Using this function, LED or buzzer can be on with 1 s periodical pattern

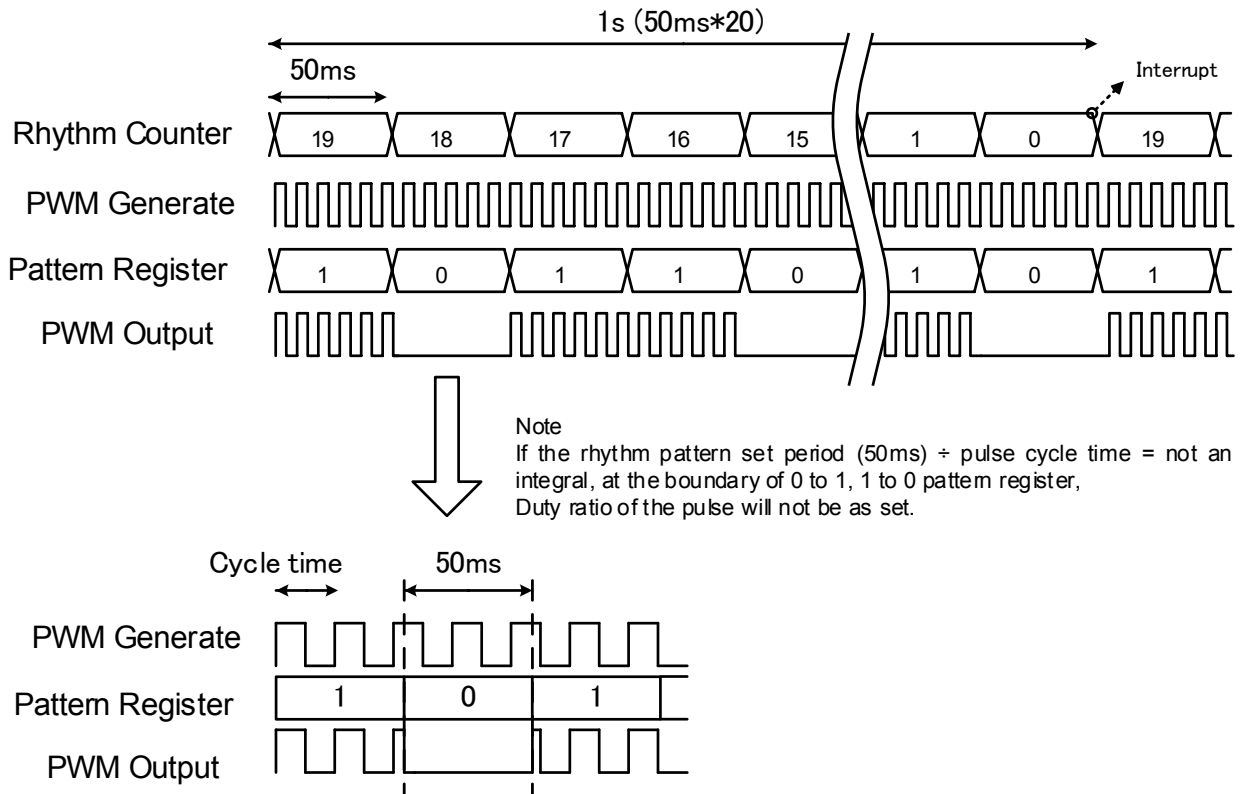


Figure 4-19 PWM Rhythm Function

4.7. ADC

4.7.1. Features

TC3567D has 6 ch of 10-bit ADCs for battery monitoring, analog inputs from external sensors, for example. The ADC has the following features.

- 5 ch for analog inputs Note: Analog inputs are shared with GPIO pins.
- 1 ch for VBAT voltage monitor

Note: The reference input is internally connected to VBAT, and the analog input is to built-in VDDCORE2 output. Please refer to 4.7.2 for how to calculate voltage value.

- Maximum conversion rate: 1 MS/s

4.7.2. Descriptions

The ADC has 10 bits conversion accuracy and can work for input voltages from 0 V to 3.6 V (VBAT). It has 6 ch of analog inputs, and the ch0 is connected to VDDCORE2 output, and the ch1 to ch5 are shared with GPIO pins.

When a battery is used as power source, the reference voltage can slide over time because the battery is connected as reference voltage. In that case, the VDDCORE2 output voltage connected to ch0 can be used as a reference voltage. The input voltage to ch1 to ch5 is converted by the reference voltage of ch0 and the converted value is used to calculate a correct digital value by the CPU. The following shows the conversion method of the input voltage.

Voltage A at time T can be calculated as follows

- (1) VDDCORE2 output voltage (VDDCORE2) on Ch0 should be converted by the ADC. The converted digital value is X.
- (2) The analog signal on Ch1 is converted and the converted digital value is Y.
- (3) When the absolute value of the analog signal on Ch1 is defined as A (V), $VDDCORE2 (V) / A (V) = X / Y$. So,

$$A (V) = VDDCORE2 (V) \times Y / X$$

Calculation example:

Suppose ch0 (for ex. VDDCORE2 output is 1.2 V) is converted to 0x0134, and ch1 (measurement target) is converted to 0x0188, the absolute voltage at ch1 A (V) is given by $1.2 \times 0x0188 / 0x0134 = 1.2 \times 392 / 308 = 1.527 (V)$.

Figure 4-20 shows conceptual of voltage conversion.

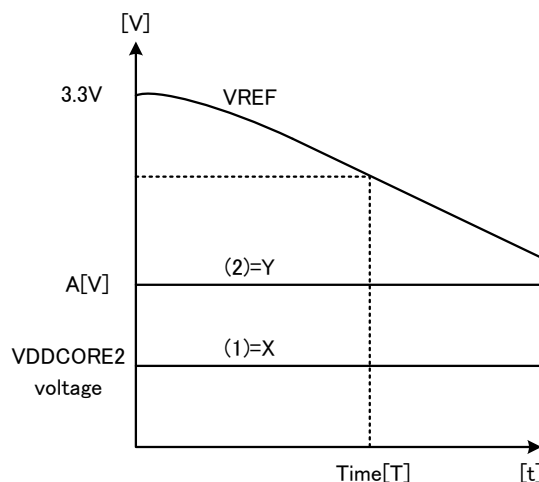


Figure 4-20 Voltage conversion concept

The ADC converts inputs from ch selected by register settings. When a conversion has finished, the CPU detects it by the interrupt or register polling, and then returns the results. The maximum sampling rate depends on software load on the CPU.

Note: The numerical values are expressed as follows.

Hexadecimal number: 0xABC

4.8. IC Reference Clock Interface

4.8.1. Features

TC3567D has the following features for IC reference clock interface.

- Clock frequency: 26 MHz (please adjust the accuracy to < 50 ppm at the temperature in use)

TC3567D doesn't require external feedback resistors and load capacitor because it has an internal feedback resistor and capacitor array. Please adjust capacitor array, based on the specification of the used oscillator and PCB layout and assembly.

4.8.2. Connection Example

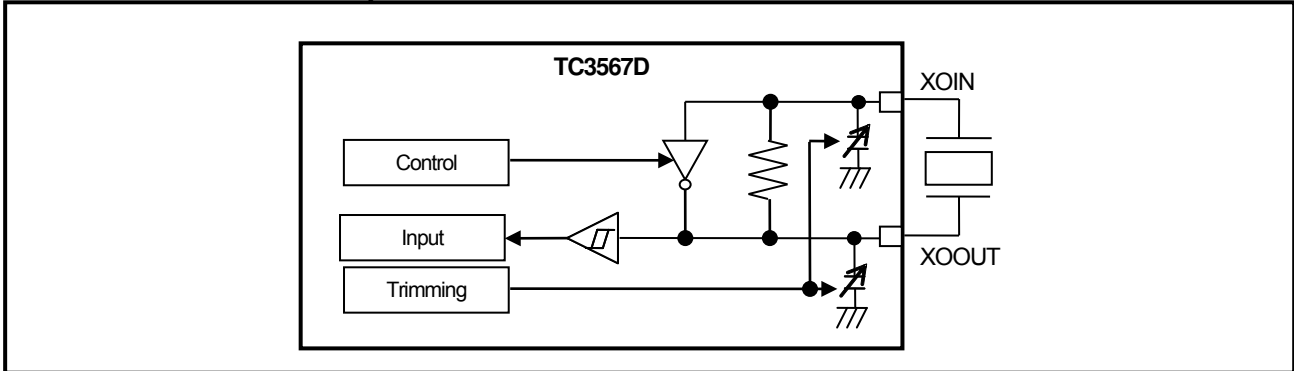


Figure 4-21 Crystal oscillator connection example

4.9. Sleep Clock Interface

TC3567D has the following features for sleep clock interface.

- Crystal oscillator can be connected.
- Clock frequency: 32.768 kHz (please adjust the frequency accuracy to less than or equal to ± 500 ppm at the temperature in use.)

Crystal oscillator is connected between SLPXOIN pin and SLPXOOUT pin. TC3567D doesn't require external feedback resistors and load capacitor because it has an internal feedback resistor and capacitor array between SLPXOIN pin and SLPXOOUT pin. Please adjust capacitor array based on PCB layout and assembly if necessary within the range of the crystal's specification.

4.9.1. Sleep Clock Connection Example

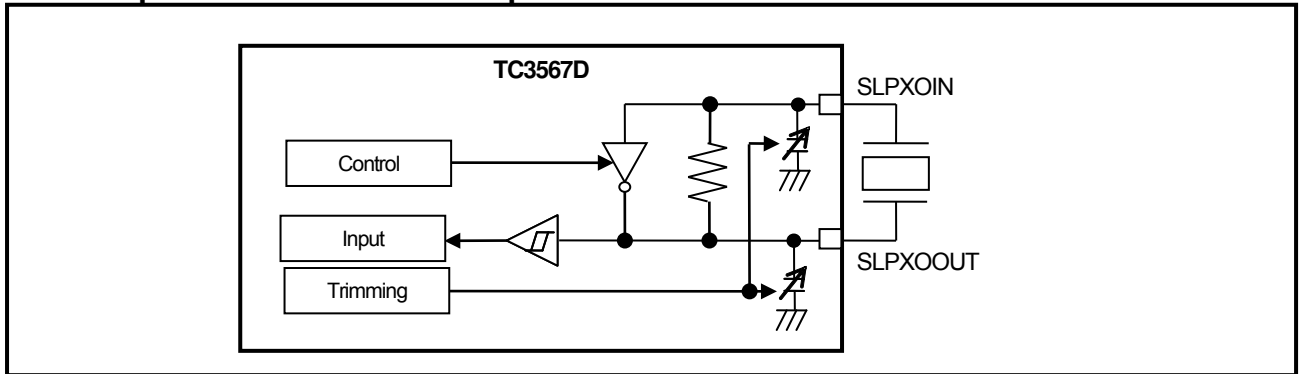


Figure 4-22 Crystal oscillator connection example

5. Electric Characteristics

5.1. Absolute Maximum Ratings

Absolute maximum ratings must not be exceeded even for a moment. Voltages, currents, and temperatures that exceed the absolute maximum ratings can cause break-downs, degradations, and damages not only for ICs but also for other components and boards. Please make sure application designs not to exceed the absolute maximum ratings in any situation.

Table 5-1 Absolute maximum ratings (VSSA = VSSRFIO = VSSDC = VSSD = VSSX = 0 V)

Items	Symbols	Ratings		Units
		Min	Max	
Power supply	VBAT VDDIO (Note1)	-0.3	+3.9	V
Input voltage	VIN	-0.3	VDDIO + 0.3 (Note2)	V
Output voltage	VOUT	-0.3	VDDIO + 0.3 (Note2)	V
I/O pin Input current	IIN	-10	+10	mA
Input power	RFIO	—	+6	dBm
Storage temperature	Tstg	-40	+125	°C

Note1: Do not connect VBAT to GND while VDDIO is powered. Current from VDDIO to VBAT through IC may cause damages, break-downs, and degradations.

Note2: Please use VDDIO + 0.3 V not to exceed 3.9 V.

5.2. Operating Conditions

TC3567D can operate normally with proven quality under the operating ranges. Any diversion from the operating ranges may cause false operation. Thus, please make sure application design to comply these operating ranges.

Table 5-2 Operating conditions (VSSA = VSSRFIO = VSSDC = VSSD = VSSX = 0 V)

Items		Symbols	Ratings			Units
			Min	Typ.	Max	
Power supply	VBAT Operating Voltage1	VBATopr1	1.80	3.00	3.60	V
	VDDIO Operating Voltage (Note)	VDDIOopr	1.80	3.00	3.60	V
	VDDCORE Voltage (Note)	VDDCORE1/ VDDCORE2	—	1.2	—	V
RF frequency		Fc	2400	—	2483.5	MHz
Clock frequencies		Reference clock Fck	25.99870	26.00000	26.00130	MHz
		Sleep clock fsclk	32.751616	32.768000	32.784384	kHz
Ambient temp.		Ta	-40	+25	+85	°C

Note: Please refer to other documents (application note) for our connection examples.

5.3. DC electric characteristics

5.3.1. Current Consumption (Design value)

This section shows current consumption. When the operating temperature (Ta) is 25°C, and the operation of each power supply pin is in the recommendation connection state of our company, the current consumption is an average value.

Table 5-3 Current consumption (VBAT = VDDIO1 = VDDIO2 = 3.0 V, VSSA = VSSRFIO = VSSDC = VSSD = VSSX = 0 V)

Items	Symbols	Conditions	Pins	Ratings			Unit
			(Note)	Min	Typ.	Max	
Digital operation	IDD _{DIG} (Active1)	—	VBAT	—	0.8	—	mA
RX	IDD _{RX} (Active2)	—		—	3.3	—	
TX	IDD _{TX} (Active3)	Output Power= 0 dBm		—	3.3	—	
Low power mode With Connection	IDDS1 (Sleep)	26 MHz crystal oscillator disabled 32 kHz crystal oscillator enabled	VBAT	—	2.5	—	μA
Low power mode Without Connection	IDDS2 (Backup)	26 MHz crystal oscillator disabled 32 kHz crystal oscillator enabled		—	2.4	—	
Low power mode Without Connection	IDDS (Deep Sleep)	26 MHz crystal oscillator disabled 32 kHz crystal oscillator disabled		—	0.05	—	

Note: Power consumption for IO depends on its settings.

Table 5-4 shows DC electric characteristics for each pin under 25°C ambient temperature.

Table 5-4 DC Electric Characteristics (VBAT = VDDIO1 = VDDIO2 = 3.0 V, VSSD = VSSA = VSSRFIO = VSSDC = VSSX = 0 V)

Items	Symbols	Condition		Measuring Pin (Note 1)	Rating			Unit
		I/F Voltage	Other Condition		Min	Typ.	Max	
High Level Input Voltage	VIH	3.0 V	LVC MOS	VDDIO	0.8×VDDIO	—	—	V
Low Level Input Voltage	VIL	3.0 V	LVC MOS	VDDIO	—	—	0.2×VDDIO	V
High Level Input Current	IIH	VDDIO = Input Voltage of each pin	Pull-down Off	VDDIO	-10	—	10	μA
			Pull-down On		10	—	200	
Low Level Input Current	IIL		Pull-up Off		-10	—	10	
			Pull-up On		-200	—	-10	
High Level Output Voltage	VOH	3.0 V	IOH = 1 mA	VDDIO	VDDIO-0.6	—	—	V
Low Level Output Voltage	VOL	3.0 V	IOL = 1 mA	VDDIO	—	—	0.4	V

Note 1: Please refer to Table 2-4 for power supply line for each pin.

5.4. Built-in Regulator Characteristics

Table 5-5 Built-in regulator characteristics (VBAT = 1.8 to 3.6 V, VSSA = VSSRFIO = VSSDC = VSSD = VSSX = 0 V)

Items	Symbols	Pin names and conditions	Ratings			Units
			Min	Typ.	Max	
Output voltages	Vout1	VDDCORE1/ VDDCORE2	—	1.2	—	V

5.5. ADC Characteristics

Table 5-6 ADC characteristics (VBAT = 1.8 to 3.6 V, VSSA = VSSRFIO = VSSDC = VSSD = VSSX = 0 V)

Items	Symbols	Condition	Ratings			Unit
			Min	Typ.	Max	
Analog reference voltage	VREFH	—	1.8	3.0	3.6	V
Analog input voltage	VAIN	—	VSSD	—	VREFH	V

5.6. RF Characteristics (Design value)

The following conditions are applicable unless otherwise specified.

- Ta = 25°C
- VBAT = 3.0 V
- fx'tal = 26 MHz (Frequency accuracy is adjusted to ±2 ppm at normal temperature)
- PAOUT= 0 dBm

Table 5-7, Table 5-8 shows RF receiving characteristics and RF transmitting characteristics based on Bluetooth® Core Spec. V4.2 low energy.

About some the characteristics data here are design values.

Table 5-7 RF Characteristic

Test Item	Packet	bit	ch.	Condition	Spec.			Unit
					Min	Typ.	Max	
Output Power	255 octets	PRBS9	0,12, 19,39	peak	—	—	Pavg+ 3 dB	dBm
				average	—	0	—	
In-band Emissions	255 octets	PRBS9	0,12, 19,39	-5 MHz	—	-60	-30	dBm
				-4 MHz	—	-55	-30	
				-3 MHz	—	-53	-30	
				-2 MHz	—	-48	-20	
				2 MHz	—	-50	-20	
				3 MHz	—	-53	-30	
				4 MHz	—	-56	-30	
Modulation Characteristics	255 octets	11110000	0,12, 19,39	Δf1avg (11110000)	225	249.3	275	kHz
		10101010		Δf2max (99.9 %)	99.9	100	—	%
		—		Δf2avg /Δf1avg	0.8	0.90	—	Ratio
Carrier frequency offset (CFO)	255 octets	10101010	0,12, 19,39	average	—	4.4	—	kHz
				worst	-150	—	150	
Carrier frequency drift	255 octets	10101010	0,12, 19,39	Absolute maximum	—	4.9	50	kHz
Carrier frequency drift Rate	255 octets	10101010	0,12, 19,39	Absolute maximum	—	4.9	20	kHz/50 μs

Table 5-8 RF Characteristics

Test Item	Sub Item	Packet	bit	ch.	Condition	Min	Typ.	Max	Unit
Rx Sensitivity	—	37 octets	—	0,12, 19,3	PER=30.8 % at 1500 packets with dirty	—	-93.5	—	dBm
C/I and Receiver Selectivity Performance	PER=30.8 % at 1500 packets with dirty	255 octets	D wave: PRBS9 U wave: GFSK PRBS15	0,2,12, 19,37, 39	<= -7 MHz	—	-38 or less	—	dB
					-6 MHz	—	-32	—	
					-5 MHz	—	-26	—	
					-4 MHz	—	-30	—	
					-3 MHz	—	-32	—	
					-2 MHz	—	-35	—	
					-1 MHz	—	-2	—	
					0 MHz	—	8	—	
					1 MHz	—	-2	—	
					2 MHz	—	-30	—	
					3 MHz	—	-38	—	
					4 MHz	—	-40	—	
5 MHz	—	-44	—						
=> 6 MHz	—	-38 or less	—						
Blocking Performance	—	255 octets	D wave: PRBS9 U wave: CW	12	30-2000 MHz	-30	—	—	dBm
					2003-2399 MHz	-35	—	—	
					2484-2997 MHz	-35	—	—	
					3000 M-12.75 GHz	-30	—	—	
Intermodulation Performance	1500 packets	255 octets	f1=-50 dBm with un-modulati on f2=-50 dBm with PRBS15	0,12, 19,39	-4 MHz	30.8	0	—	%
					+4 MHz				
Maximum input signal level	PER	255 octets	PRBS9	0,12, 19,39	-10 dBm	30.8	0	—	%
PER Report Integrity	PER	255 octets	PRBS9	0,12, 19,39	-30 dBm	50	50	65.4	%

Note: C/I characteristic and blocking characteristic has the relief specs of the logo attestation test of Bluetooth® maybe applied. The blocking characteristic measures D wave as 12 ch.

5.7. AC Interface Characteristics (Design value)

5.7.1. UART Interface

Table 5-9 UART Interface AC characteristics

Symbols	Items	Min	Typ.	Max	Unit
tCLDTDLY	Transmit Data ON from CTSX Low level	192	—	—	ns
tCHDTDLY	Transmit Data OFF from CTSX High level	—	—	2	byte
tRLDTDLY	Received Data ON from RTSX Low level	0	—	—	ns
tRHDTDLY	Received Data OFF from RTSX High level	—	—	8	byte

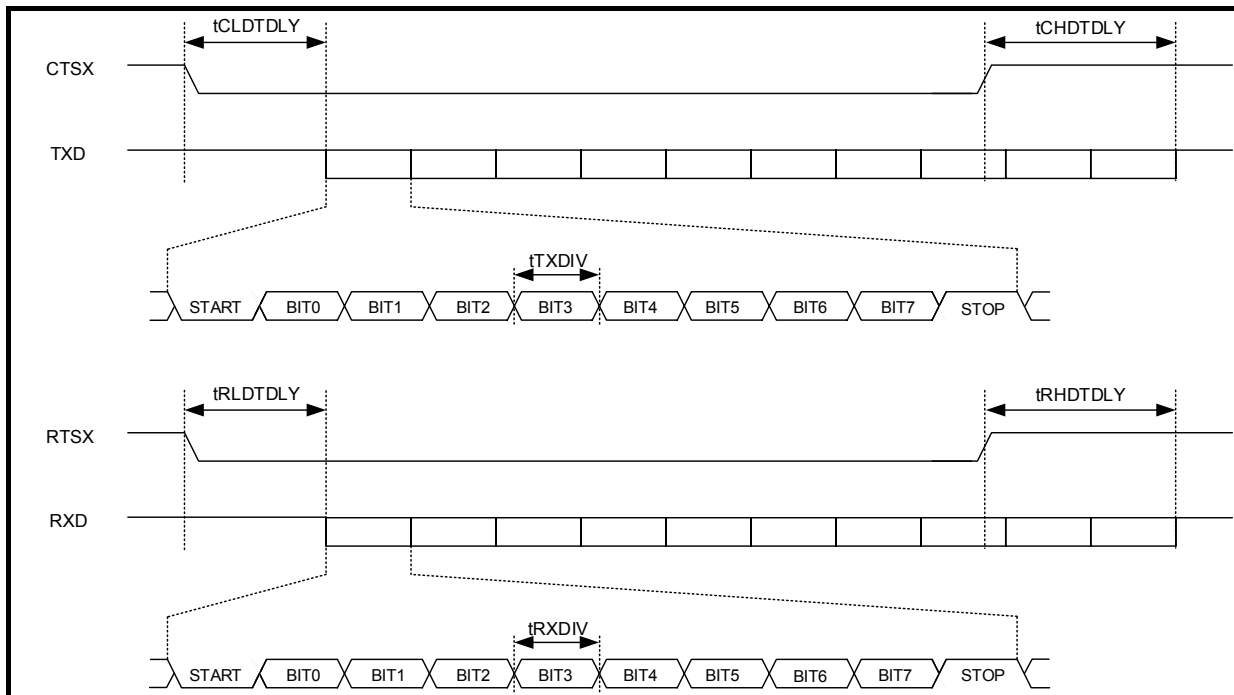


Figure 5-1 UART Interface Timing Diagram

5.7.2. I²C Interface

5.7.2.1. Normal Mode

Table 5-10 I²C Interface Normal mode AC Characteristics

Symbols	Items	Min	Typ.	Max	Unit
tDATS	Data set-up time	250	—	—	ns
tDATH	Data hold time	300	—	—	ns
tDATVD	Data validity period	—	—	3450	ns
tACKVD	ACK validity period	—	—	3450	ns
tSTAS	Restart condition set-up time	4700	—	—	ns
tSTAH	Restart condition hold time	4000	—	—	ns
tSTOS	Stop condition set-up time	4000	—	—	ns
tBUF	Bus open period from stop condition to start condition	4700	—	—	ns
t _r	Rise up time	—	—	1000	ns
t _f	Fall down time	—	—	300	ns
t _{HIGH}	Serial clock period of High	4000	—	—	ns
t _{LOW}	Serial clock period of Low	4700	—	—	ns
C _b	Bus load capacitance	—	—	400	pF

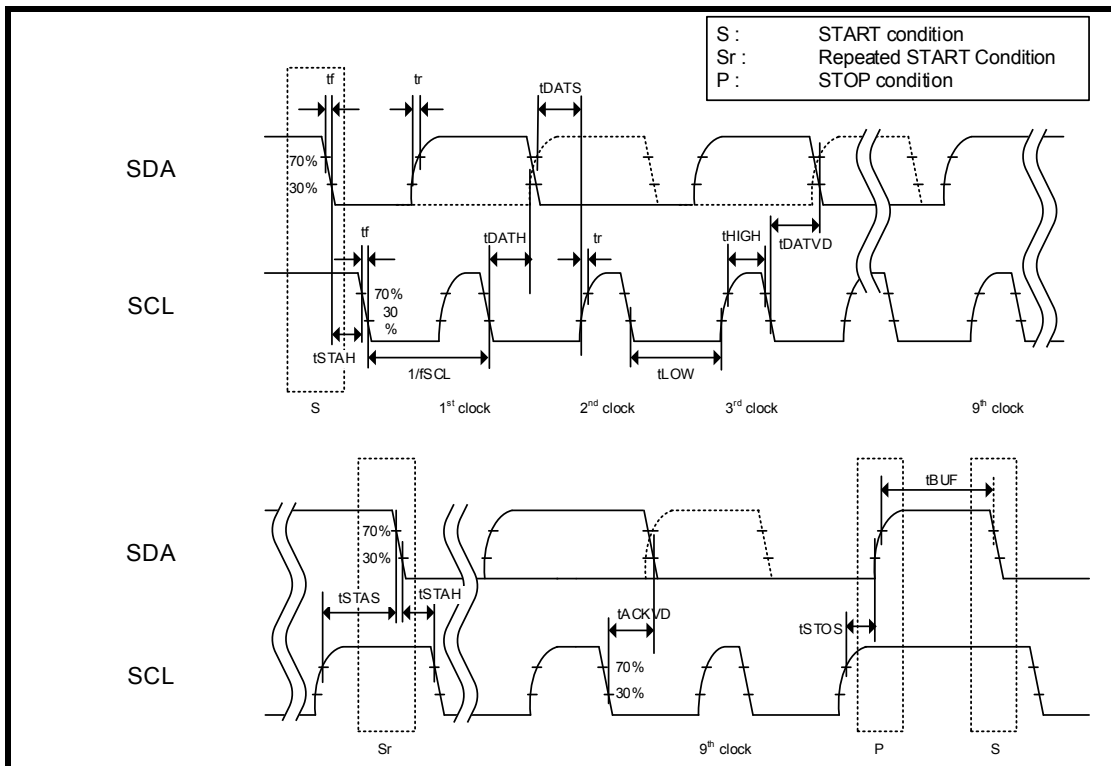


Figure 5-2 I²C Interface Normal mode Timing diagram

5.7.2.2. Fast mode

Table 5-11 I²C Interface Fast mode AC Characteristics

Symbols	Items	Min	Typ.	Max	Unit
tDATS	Data set-up time	100	—	—	ns
tDATH	Data hold time	300	—	—	ns
tDATVD	Datavalidity period	—	—	900	ns
tACKVD	ACKvalidity period	—	—	900	ns
tSTAS	Restart condition set-up time	600	—	—	ns
tSTAH	Restart condition hold time	600	—	—	ns
tSTOS	Stop condition set-up time	600	—	—	ns
tBUF	Bus open period from stop condition to start condition	1300	—	—	ns
tr	Rise up time	20 + 0.1Cb	—	300	ns
tf	Fall down time	20 + 0.1Cb	—	300	ns
tSP	Spike pulse width that can be removed	0	—	50	ns
tHIGH	Serial clock period of High	—	1423	—	ns
tLOW	Serial clock period of Low	—	1423	—	ns
Cb	Bus load capacitance	—	—	400	pF

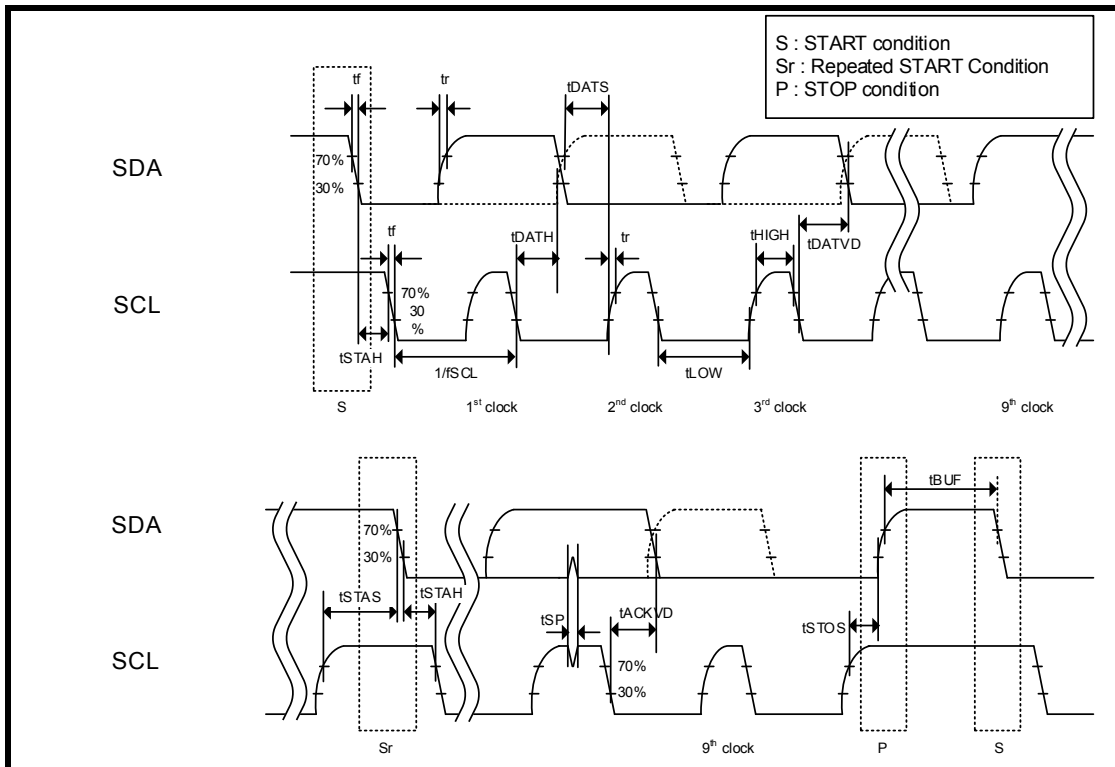


Figure 5-3 I²C Interface Fast mode Timing diagram

5.7.3. SPI Interface

Table 5-12 SPI Interface

Symbols	Items	Min	Typ.	Max	Unit
tSPICLKCYC	SPI clock cycle	154	—	—	ns
tSPICLKHPW	SPI clock high pulse width	77	—	—	ns
tSPICLKPW	SPI clock low pulse width	77	—	—	ns
tSPICSS	SPI chip select setup time	38	—	—	ns
tSPICSH	SPI chip select hold time	77	—	—	ns
tSPIIW	SPI transfer idle pulse width	54	—	—	ns
tSPIAS	SPI address setup time	38	—	—	ns
tSPIAH	SPI address hold time	77	—	—	ns
tSPIDS	SPI data setup time	38	—	—	ns
tSPIDH	SPI data hold time	77	—	—	ns

Note: SPI Interface operates on the basis of 1/n frequency of half the frequency of ARM® Cortex®-M0 core clock (6.5 MHz for 13 MHz core clock)

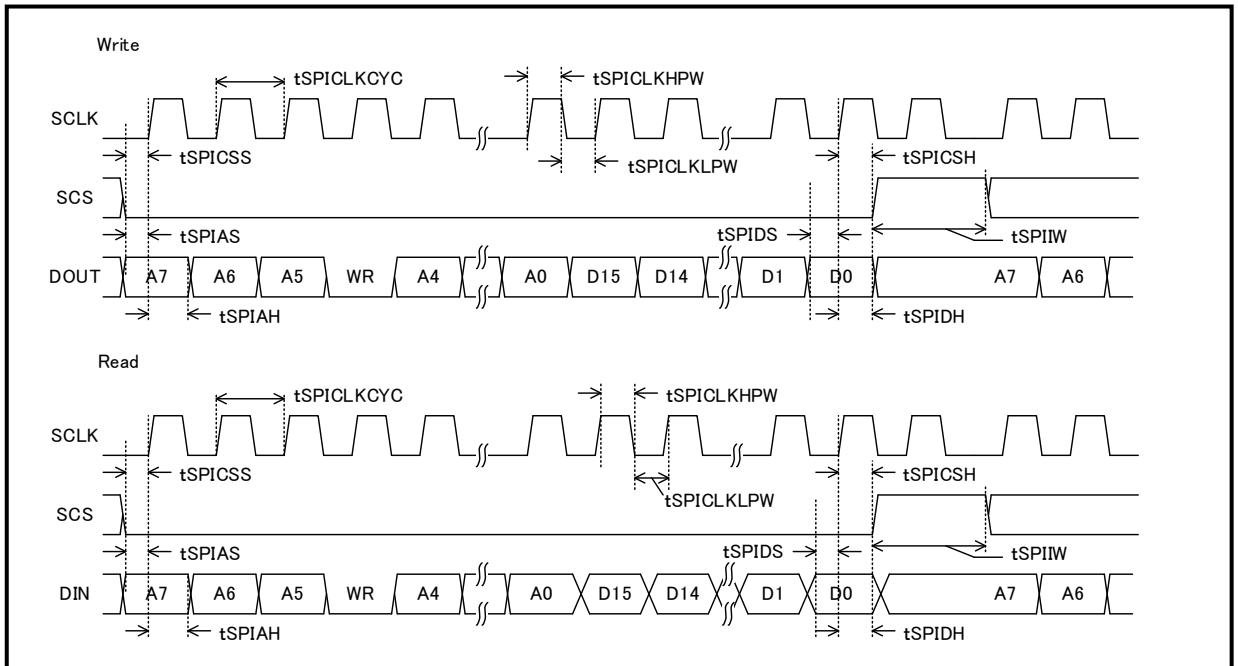


Figure 5-4 SPI Interface timing diagram

6. System Configuration Example

An example of system configuration is shown in the following figures.

6.1. In HCI mode

- Host interface=UART and 26 MHz Reference Clock= XOSC Connection.
- XOSC (32.768 kHz) of the dotted line enclosure is unnecessary when the external input (HOST common use) is chosen.
- GPIO and SWD of connection is the connection example of when not in use.

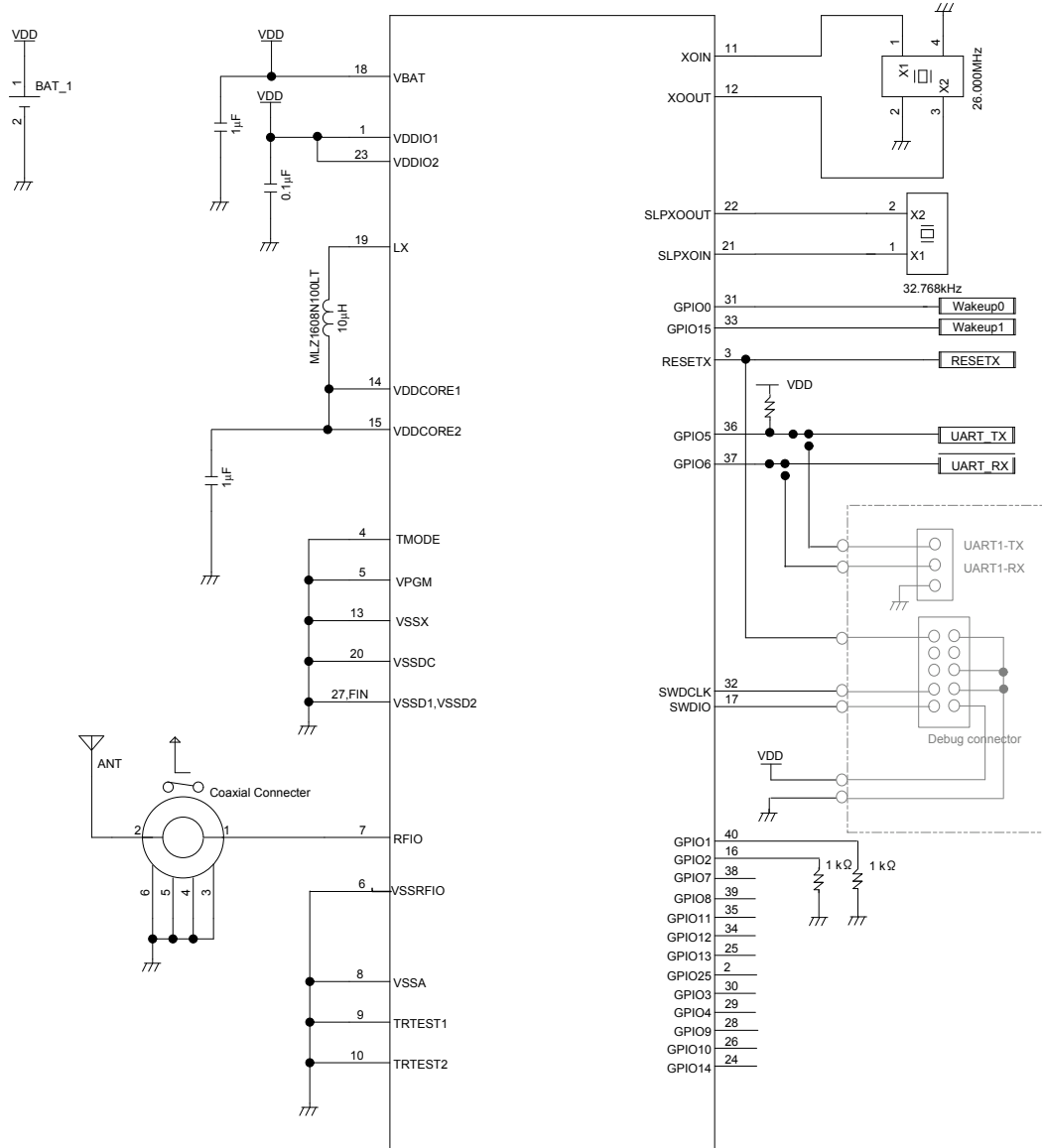


Figure 6-1 Example of TC3567DFSG system configuration (HCI mode)

6.2. In User-App mode

- XOSC (32.768 kHz) of the dotted line enclosure is unnecessary when the external input (HOST common use) is chosen.
- GPIO and SWD of connection is the connection example of when not in use.

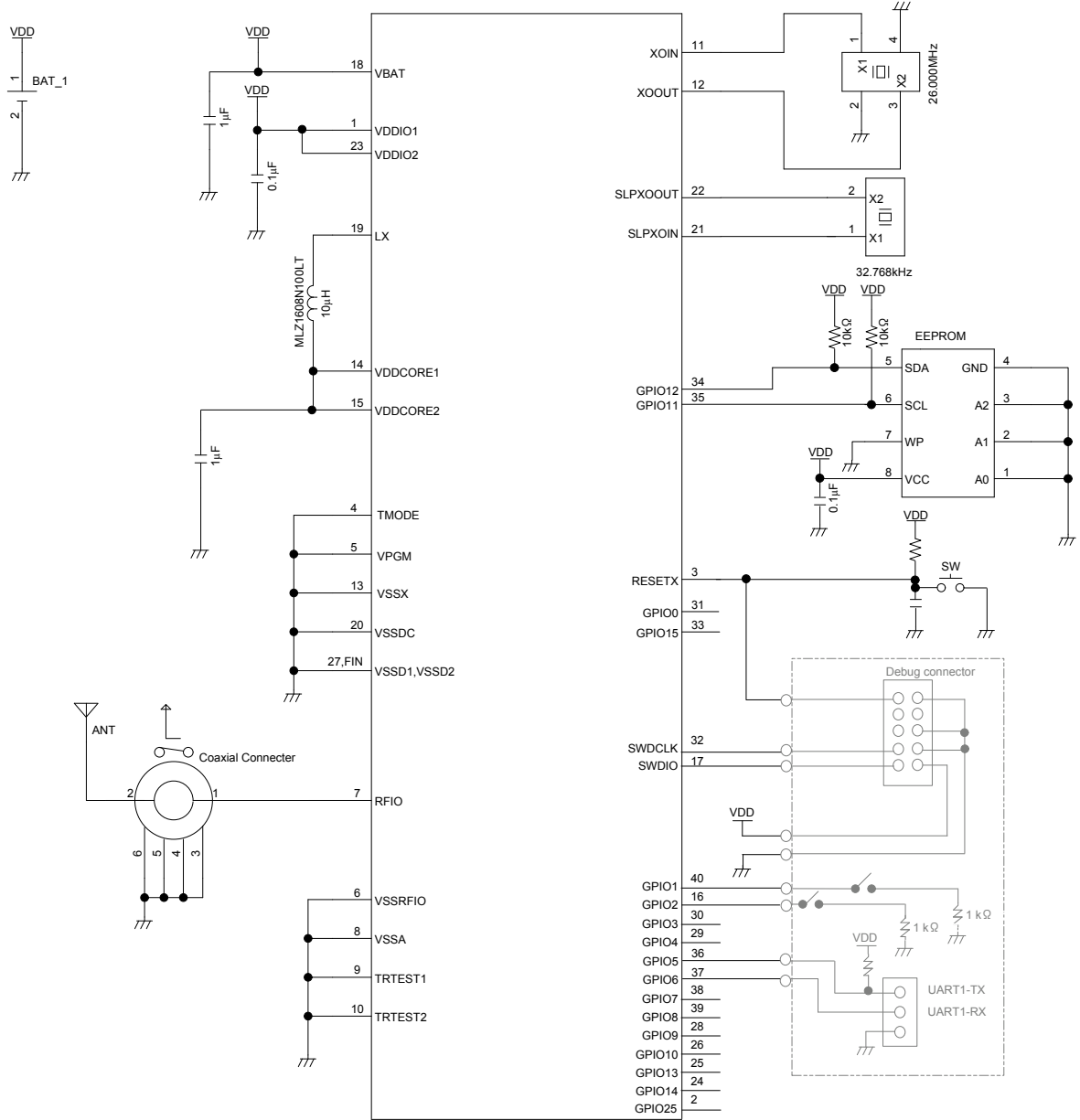
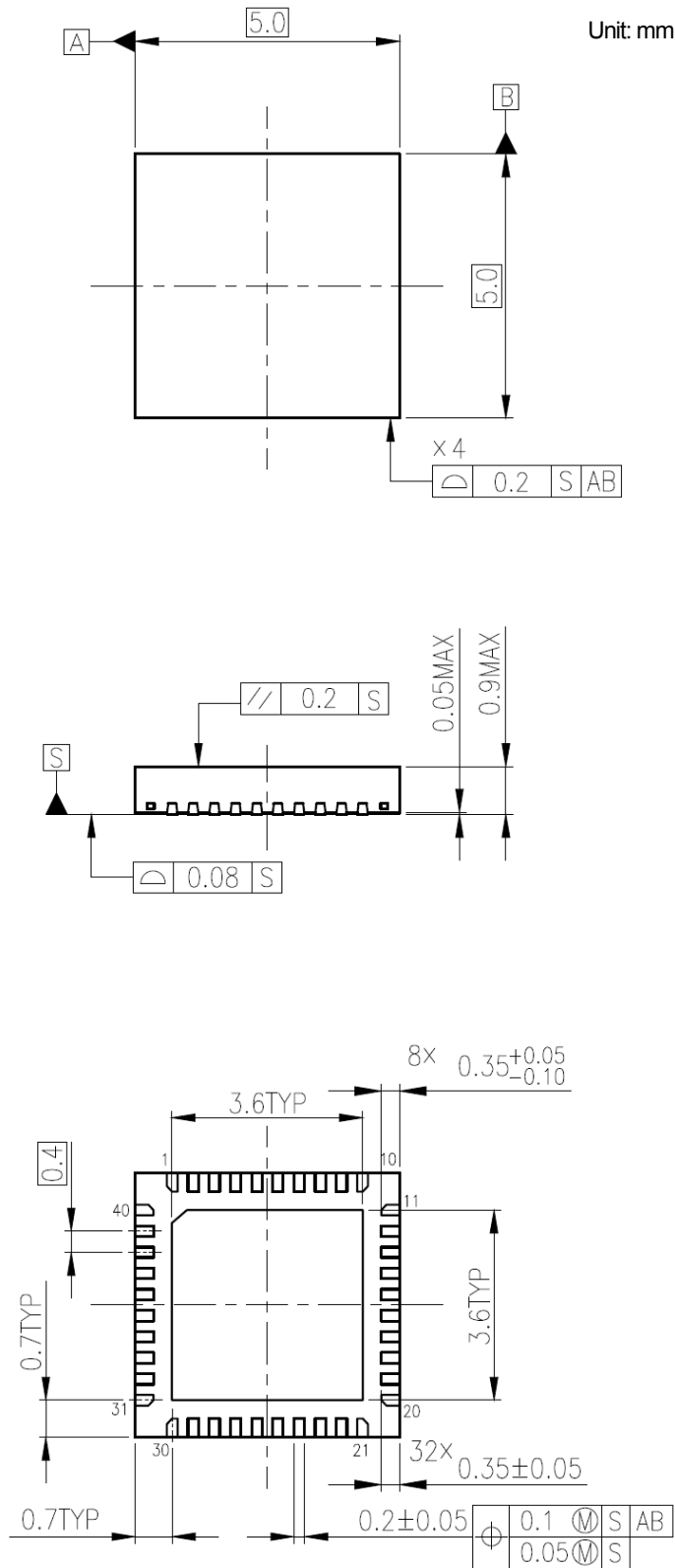


Figure 6-2 Example of TC3567DFSG system configuration (User-App mode)

7. Package outline

7.1. Outline dimensional drawing TC3567DFSG (P-VQFN40-0505-0.40-005/F01)

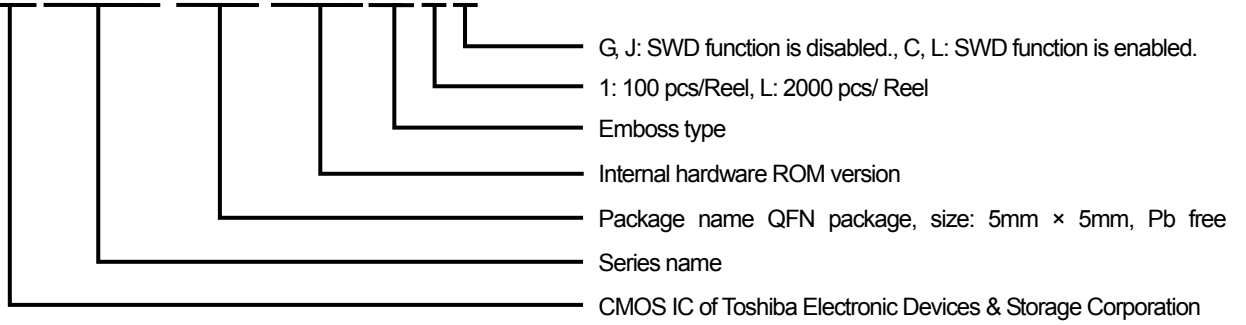


Weight: 0.068 g (Typ.)

Figure 7-1 Package outline (P-VQFN40-0505-0.40-005/F01)

8. Part Numbering Nomenclature

TC 3567D FSG - 002 (E x x)



RESTRICTIONS ON PRODUCT USE

Toshiba Corporation and its subsidiaries and affiliates are collectively referred to as "TOSHIBA". Hardware, software and systems described in this document are collectively referred to as "Product".

- TOSHIBA reserves the right to make changes to the information in this document and related Product without notice.
- This document and any information herein may not be reproduced without prior written permission from TOSHIBA. Even with TOSHIBA's written permission, reproduction is permissible only if reproduction is without alteration/omission.
- Though TOSHIBA works continually to improve Product's quality and reliability, Product can malfunction or fail. Customers are responsible for complying with safety standards and for providing adequate designs and safeguards for their hardware, software and systems which minimize risk and avoid situations in which a malfunction or failure of Product could cause loss of human life, bodily injury or damage to property, including data loss or corruption. Before customers use the Product, create designs including the Product, or incorporate the Product into their own applications, customers must also refer to and comply with (a) the latest versions of all relevant TOSHIBA information, including without limitation, this document, the specifications, the data sheets and application notes for Product and the precautions and conditions set forth in the "TOSHIBA Semiconductor Reliability Handbook" and (b) the instructions for the application with which the Product will be used with or for. Customers are solely responsible for all aspects of their own product design or applications, including but not limited to (a) determining the appropriateness of the use of this Product in such design or applications; (b) evaluating and determining the applicability of any information contained in this document, or in charts, diagrams, programs, algorithms, sample application circuits, or any other referenced documents; and (c) validating all operating parameters for such designs and applications. **TOSHIBA ASSUMES NO LIABILITY FOR CUSTOMERS' PRODUCT DESIGN OR APPLICATIONS.**
- **PRODUCT IS NEITHER INTENDED NOR WARRANTED FOR USE IN EQUIPMENTS OR SYSTEMS THAT REQUIRE EXTRAORDINARILY HIGH LEVELS OF QUALITY AND/OR RELIABILITY, AND/OR A MALFUNCTION OR FAILURE OF WHICH MAY CAUSE LOSS OF HUMAN LIFE, BODILY INJURY, SERIOUS PROPERTY DAMAGE AND/OR SERIOUS PUBLIC IMPACT ("UNINTENDED USE").** Except for specific applications as expressly stated in this document, Unintended Use includes, without limitation, equipment used in nuclear facilities, equipment used in the aerospace industry, medical equipment, equipment used for automobiles, trains, ships and other transportation, traffic signaling equipment, equipment used to control combustions or explosions, safety devices, elevators and escalators, devices related to electric power, and equipment used in finance-related fields. **IF YOU USE PRODUCT FOR UNINTENDED USE, TOSHIBA ASSUMES NO LIABILITY FOR PRODUCT.** For details, please contact your TOSHIBA sales representative.
- Do not disassemble, analyze, reverse-engineer, alter, modify, translate or copy Product, whether in whole or in part.
- Product shall not be used for or incorporated into any products or systems whose manufacture, use, or sale is prohibited under any applicable laws or regulations.
- The information contained herein is presented only as guidance for Product use. No responsibility is assumed by TOSHIBA for any infringement of patents or any other intellectual property rights of third parties that may result from the use of Product. No license to any intellectual property right is granted by this document, whether express or implied, by estoppel or otherwise.
- **ABSENT A WRITTEN SIGNED AGREEMENT, EXCEPT AS PROVIDED IN THE RELEVANT TERMS AND CONDITIONS OF SALE FOR PRODUCT, AND TO THE MAXIMUM EXTENT ALLOWABLE BY LAW, TOSHIBA (1) ASSUMES NO LIABILITY WHATSOEVER, INCLUDING WITHOUT LIMITATION, INDIRECT, CONSEQUENTIAL, SPECIAL, OR INCIDENTAL DAMAGES OR LOSS, INCLUDING WITHOUT LIMITATION, LOSS OF PROFITS, LOSS OF OPPORTUNITIES, BUSINESS INTERRUPTION AND LOSS OF DATA, AND (2) DISCLAIMS ANY AND ALL EXPRESS OR IMPLIED WARRANTIES AND CONDITIONS RELATED TO SALE, USE OF PRODUCT, OR INFORMATION, INCLUDING WARRANTIES OR CONDITIONS OF MERCHANTABILITY, FITNESS FOR A PARTICULAR PURPOSE, ACCURACY OF INFORMATION, OR NONINFRINGEMENT.**
- Do not use or otherwise make available Product or related software or technology for any military purposes, including without limitation, for the design, development, use, stockpiling or manufacturing of nuclear, chemical, or biological weapons or missile technology products (mass destruction weapons). Product and related software and technology may be controlled under the applicable export laws and regulations including, without limitation, the Japanese Foreign Exchange and Foreign Trade Law and the U.S. Export Administration Regulations. Export and re-export of Product or related software or technology are strictly prohibited except in compliance with all applicable export laws and regulations.
- Please contact your TOSHIBA sales representative for details as to environmental matters such as the RoHS compatibility of Product. Please use Product in compliance with all applicable laws and regulations that regulate the inclusion or use of controlled substances, including without limitation, the EU RoHS Directive. **TOSHIBA ASSUMES NO LIABILITY FOR DAMAGES OR LOSSES OCCURRING AS A RESULT OF NONCOMPLIANCE WITH APPLICABLE LAWS AND REGULATIONS.**