

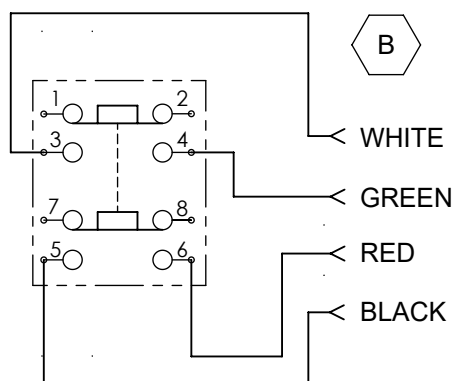
NOTES:

1. SPECIFICATIONS:

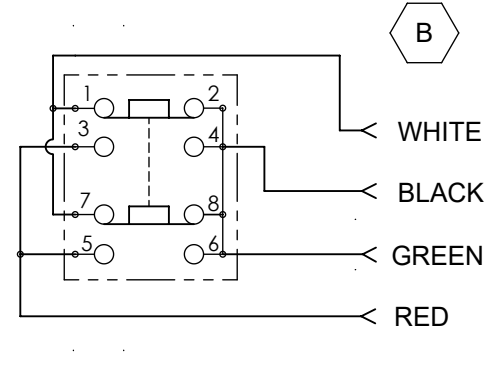
- SWITCH:  
 DOUBLE POLE, MOMENTARY  
 POSITIVE TACTILE FEEDBACK  
 NOMINAL KEY TRAVEL 0.10 INCHES  
 GOLD CONTACT FINISH  
 MAXIMUM SWITCHING CURRENT 250mA  
 MAXIMUM VOLTAGE 120V  
 MAXIMUM POWER 9 WATTS AC, 5 WATTS DC  
 MAXIMUM CARRYING CURRENT 500mA  
 MAXIMUM CONTACT RESISTANCE 80mohm  
 DIELECTRIC WITHSTANDING VOLTAGE 1,000V  
 OPERATING LIFE 100,000 CYCLES  
 OPERATING TEMPERATURE -25 TO +75°C  
 ACTUATING FORCE LESS THAN 2 lb

2. MATERIALS:

- SWITCH HOUSING: GRAY THERMOPLASTIC  
 ACTUATING BUTTON: NATURAL ELASTOMER  
 CONTACTS: COPPER ALLOY, GOLD PLATED  
 STRAIN RELIEF: NATURAL ELASTOMER  
 CABLE: 4 CONDUCTOR, 26 AWG STRANDED, GRAY PVC JACKET



**E921KA**  
 WIRING DIAGRAM  
 "A" CIRCUIT



**E921KC**  
 WIRING DIAGRAM  
 "C" CIRCUIT

**CUSTOMER DRAWING**

REV	ECO NUMBER	DATE	BY	APVD
C	28453	12-20-21	PC	TJK
B	27569	9-3-15	TO	TJK
A	ECO #27491	5-28-15	PC	TJK

UNLESS OTHERWISE SPECIFIED  
 1. ALL DIMENSIONS IN INCHES [mm]  
 - TWO PLACE DECIMALS ±0.02 [0.5]  
 - THREE PLACE DECIMALS ±0.005 [0.13]

DO NOT SCALE DRAWING

THIS DRAWING DESCRIBES A DESIGN CONSIDERED PROPRIETARY IN NATURE, DEVELOPED AND MANUFACTURED BY SWITCHCRAFT INC. AND IS RELEASED ON A CONFIDENTIAL BASIS FOR IDENTIFICATION PURPOSES ONLY.									
SIZE	WIDTH	MULT	LBS/M	TEMPER	MATERIAL SEE NOTE 2				
FINISH SPEC No.					MATERIAL SPEC No.				
FIRST USED ON					SCALE 1:1				
DATE DRAWN	BY	CHKD	APVD	Switchcraft®					
2-19-15	SRC	SRC	TJK	SHEET 1 OF 1					
NAME			PART No.		REV				
PENDANT CABLE			E921KA-E921KC		C				