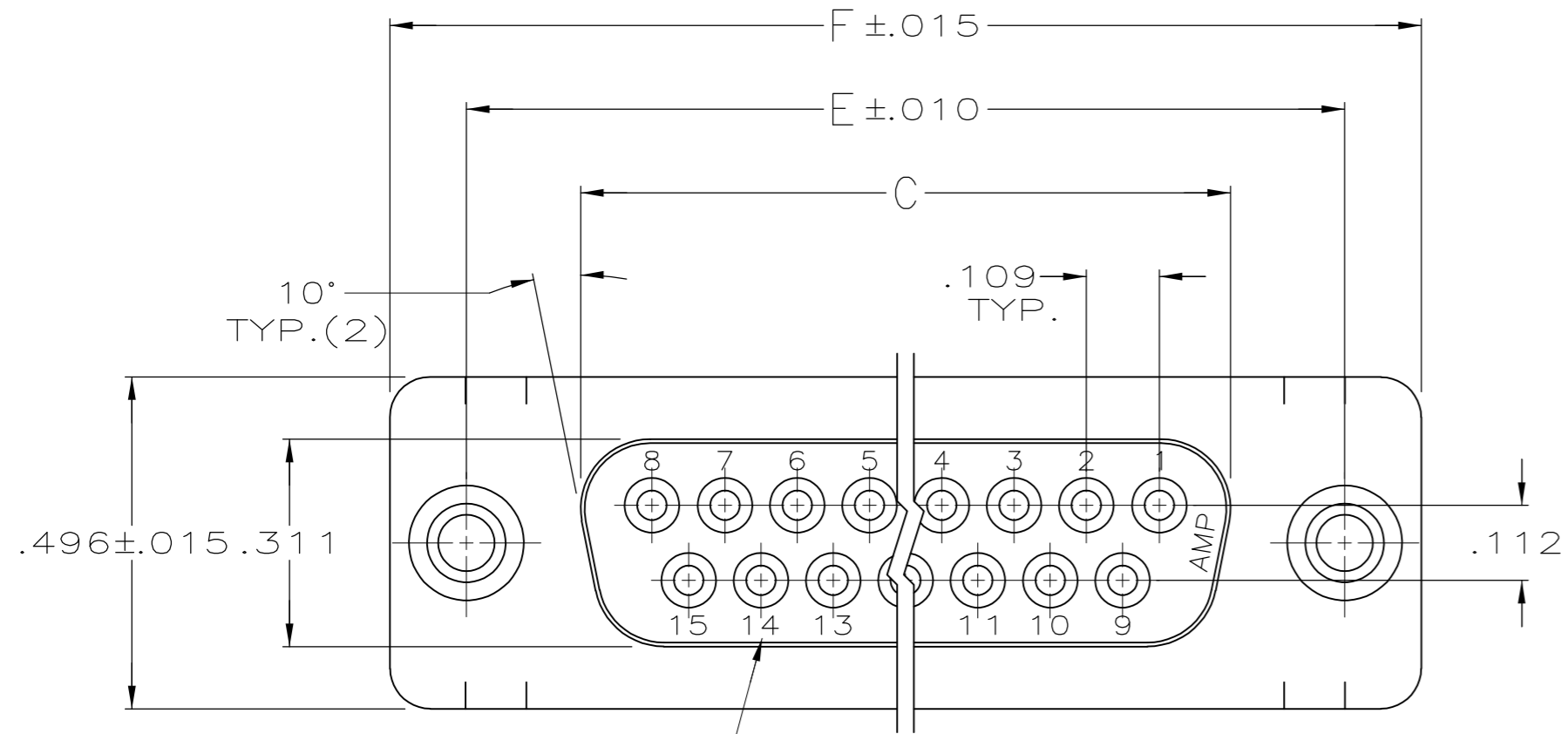
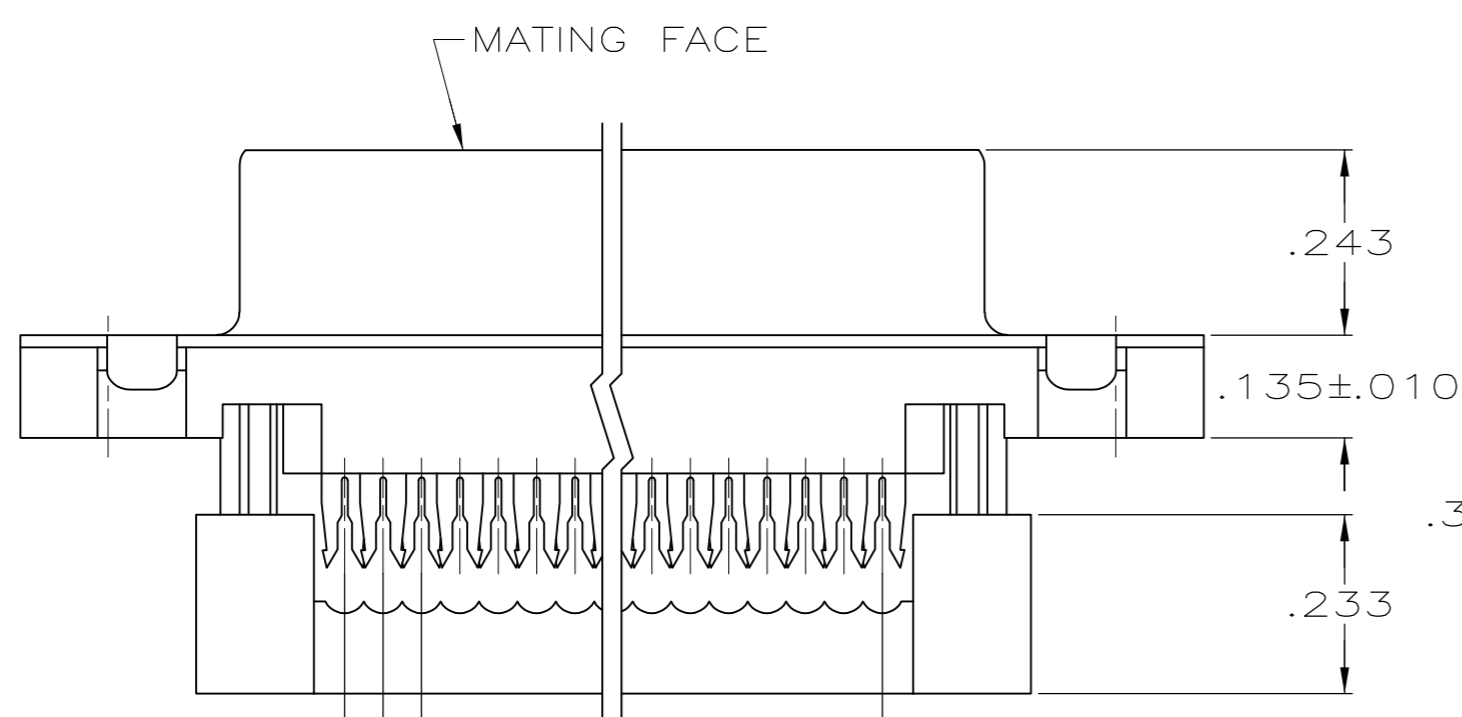


THIS DRAWING IS UNPUBLISHED. RELEASED FOR PUBLICATION
 © COPYRIGHT - By - ALL RIGHTS RESERVED.

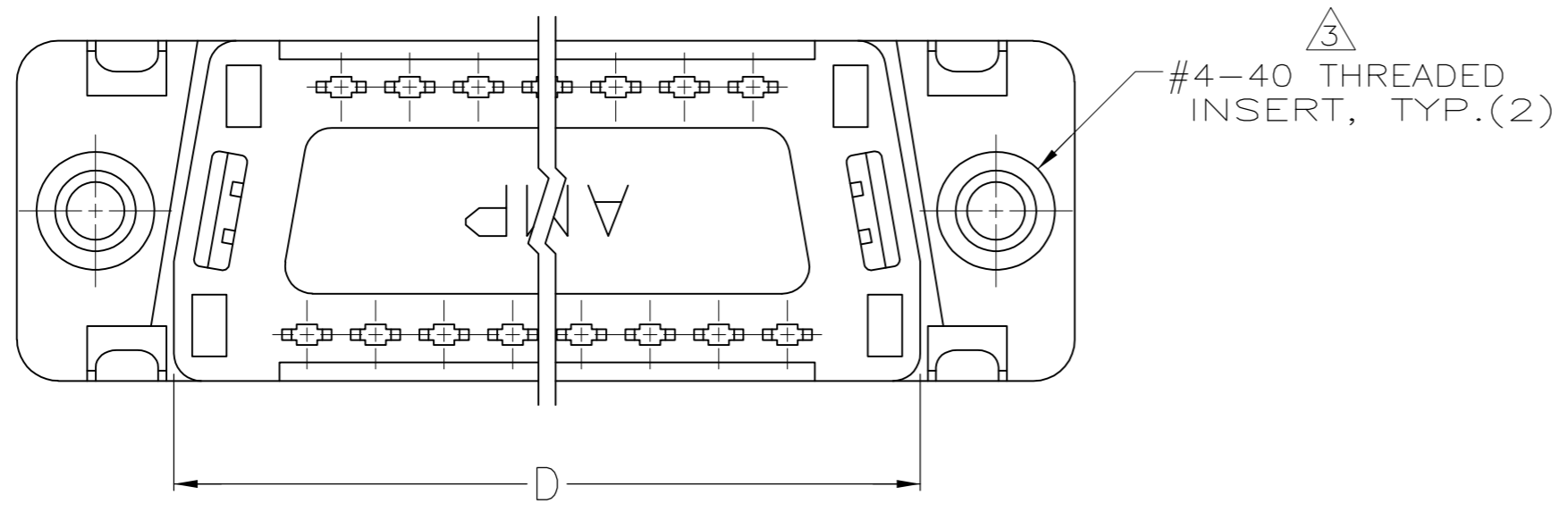
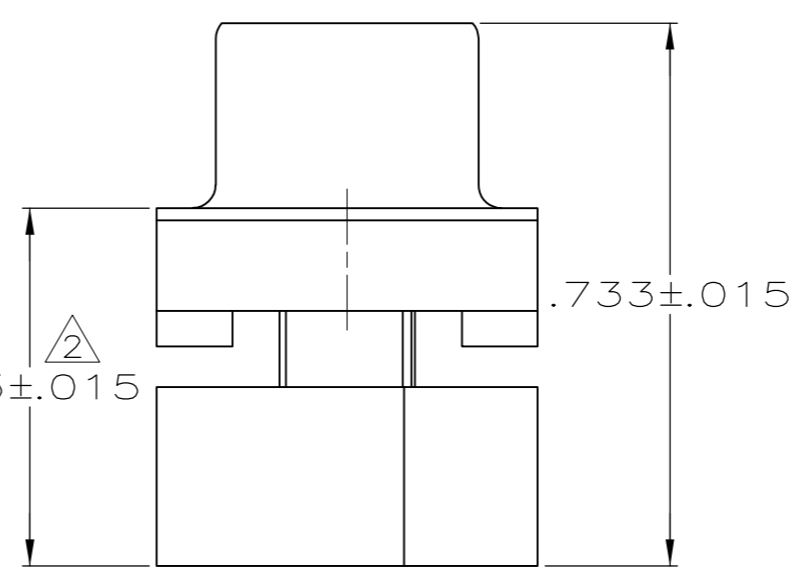
LOC		DIST		REVISIONS			
P	LTR	DESCRIPTION		DATE	DWN	APVD	
GP	00	A3	REVISED PER ECO-11-004835		11MAR11	RK	HMR



DEPRESSED CAVITY IDENTIFICATION (15 POSITION SHOWN)



.050 REF.
 .100 REF.
 A SPACES AT .050 = B



- CONNECTOR DESIGNED FOR 28 AND 26 AWG STRANDED AND SOLID CONDUCTOR RIBBON CABLE ON .050 ϕ .
- DIMENSION APPLIES TO TERMINATED CONNECTOR.
- INSERTS WILL WITHSTAND 6 IN LBS TORQUE AND 50 LBS PULL OUT FORCE FROM MATING FACE SIDE.
- HOUSING: THERMOPLASTIC, 94V-0 RATED, FLAME RETARDANT, COLOR: SEE TABLE. COVER: THERMOPLASTIC, 94V-0 RATED, FLAME RETARDANT, COLOR: BLACK. SHELL: STEEL PER QQ-S-698. CONTACTS: PHOSPHOR BRONZE PER QQ-B-750. INSERTS: BRASS PER MIL-C-50.
- GOLD PLATING PER MIL-G-45204, TIN PLATING PER MIL-T-10727, NICKEL PLATING PER QQ-N-290.
- SHELL: BRIGHT TIN PLATED. CONTACTS: .000030 MIN GOLD IN LOCALIZED GOLD PLATE AREA, .000100-.000200 MATTE TIN ON TERMINATION END, ALL OVER .000050 MIN NICKEL ON ENTIRE CONTACT.
- COLOR- C99 PANTONE 131C, GOLD.
- OBSOLETE PARTS: OBSOLETE CIS STREAMLINING PER D.RENAUD/D.SINISI

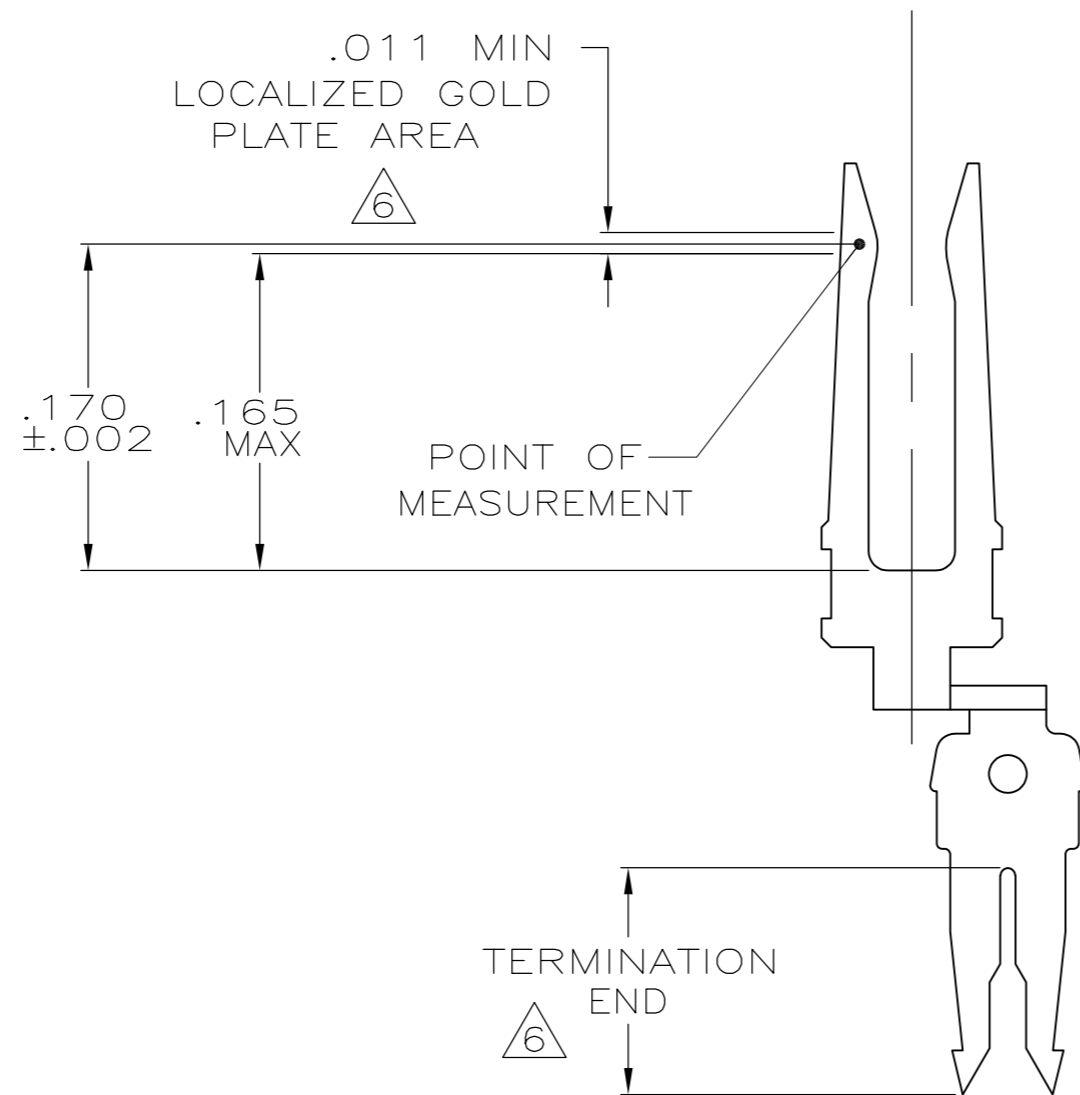
F	E	D	C	B	A	HOUSING COLOR	NO OF POSN	PART NUMBER
1.541	1.312	1.087	.971	.700	14	BLACK	15	1658610-6
1.216	.984	.759	.643	.400	8	BLACK	9	1658610-4
1.541	1.312	1.087	.971	.700	14	BLACK	15	1658610-3
2.090	1.852	1.623	1.511	1.200	24	BLACK	25	1658610-2
2.732	2.500	2.275	2.159	1.800	36	BLACK	37	1658610-1

THIS DRAWING IS A CONTROLLED DOCUMENT.

DIMENSIONS: INCHES	TOLERANCES UNLESS OTHERWISE SPECIFIED:	DWN B. MCMASTER 30MAR04	
	0 PLC ± -	CHK C. ROHDE 30MAR04	
	1 PLC ± -	APVD M. WALMSLEY 30MAR04	
	2 PLC ± -	NAME	
	3 PLC ± .005	PRODUCT SPEC	
4 PLC ± -	APPLICATION SPEC	108-40012	REPT ASSY, FRONT METAL SHELL, THREADED INSERTS, LEAD-FREE, AMPLIMITE HDF
ANGLES ± 2°	FINISH	SIZE A2	CAGE CODE 00779
MATERIAL	FINISH	WEIGHT -	DRAWING NO C=1658610
		CUSTOMER DRAWING	RESTRICTED TO -
		SCALE 4:1	SHEET 1 of 2
			REV A3

THIS DRAWING IS UNPUBLISHED. RELEASED FOR PUBLICATION
 © COPYRIGHT - By - ALL RIGHTS RESERVED.

LOC	DIST	REVISIONS			
P	LTR	DESCRIPTION	DATE	DWN	APVD
GP	00	SEE SHEET 1	-	-	-



CONTACT DETAIL
 SCALE 10:1

THIS DRAWING IS A CONTROLLED DOCUMENT.		DWN B. MCMASTER 30MAR04	TE TE Connectivity	
DIMENSIONS: INCHES		CHK C. ROHDE 30MAR04		
TOLERANCES UNLESS OTHERWISE SPECIFIED:		APVD M. WALMSLEY 30MAR04	NAME	
0 PLC ± -		PRODUCT SPEC	RECP ASSY, FRONT METAL SHELL, THREADED INSERTS, LEAD-FREE, AMPLIMITE HDF	
1 PLC ± -		108-40012	SIZE	RESTRICTED TO
2 PLC ± -		APPLICATION SPEC	CAGE CODE	DRAWING NO
3 PLC ± .005			A2 00779	C=1658610
4 PLC ± -		MATERIAL	SCALE	SHEET
ANGLES ± 2°		FINISH	4:1	2 OF 2
MATERIAL		WEIGHT	CUSTOMER DRAWING	REV
-		-		A3