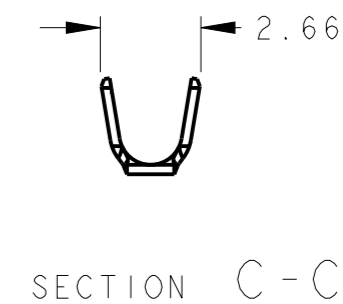
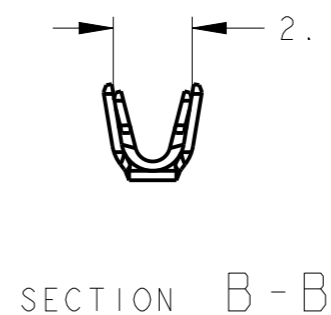
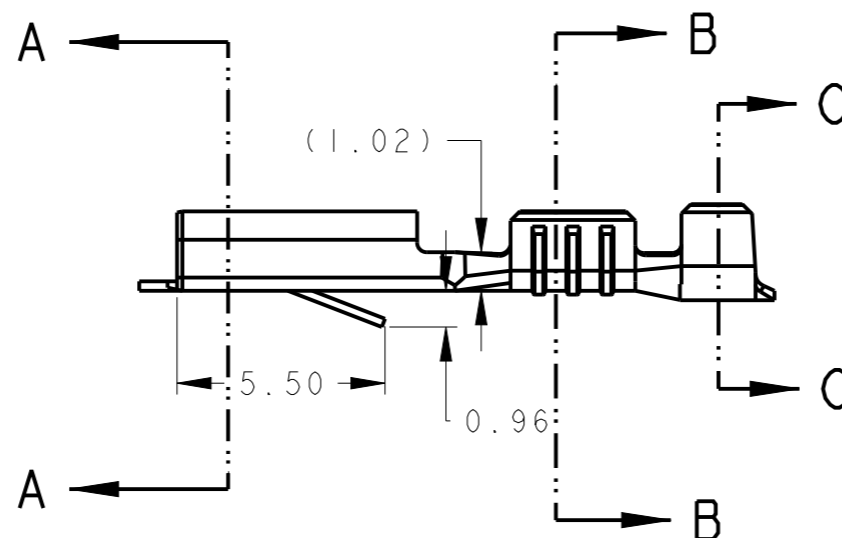
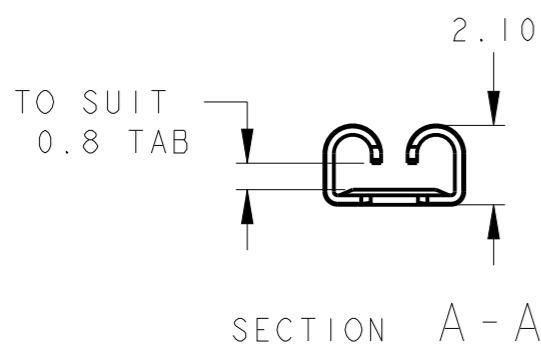
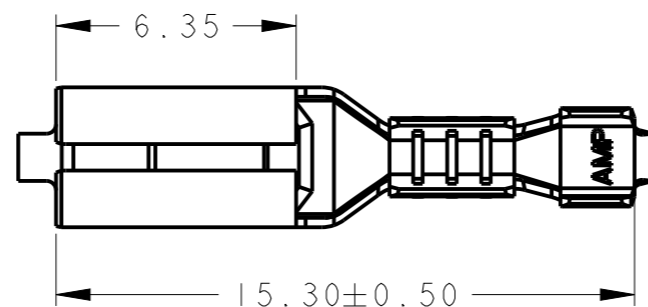


REVISIONS

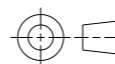
P	LTR	DESCRIPTION	DATE	DWN	APVD
	N	REVISED PER ECR-21-100133	11FEB2021	BDA	DH



1. WIRE SIZE 24 - 20 AWG
2. INSULATION DIAMETER 1.27 - 2.0mm

THIS DRAWING IS A CONTROLLED DOCUMENT.

DIMENSIONS:
mm



TOLERANCES UNLESS OTHERWISE SPECIFIED:

0 PLC	±0.3
1 PLC	±0.3
2 PLC	±0.3
3 PLC	±0.3
4 PLC	±0.3
ANGLES	±2

MATERIAL
SEE NOTE
material_2

FINISH
-
finish_spec_2

DWN
M. GREENER 23/10/10

CHK
J. AMBROSE 23/10/10

APVD
J. AMBROSE 23/10/10

PRODUCT SPEC
-

APPLICATION SPEC
-

WEIGHT
-

CUSTOMER DRAWING

SILVER	BRASS	150571-3
TIN	BRASS	150571-2
FINISH	MATERIAL	PART NO



NAME
MINIATURE FASTIN FASTON RECEPTACLE
.110 SERIES

SIZE CAGE CODE DRAWING NO RESTRICTED TO

A300779 C-150571

SCALE 4:1 SHEET 1 OF 1 REV N