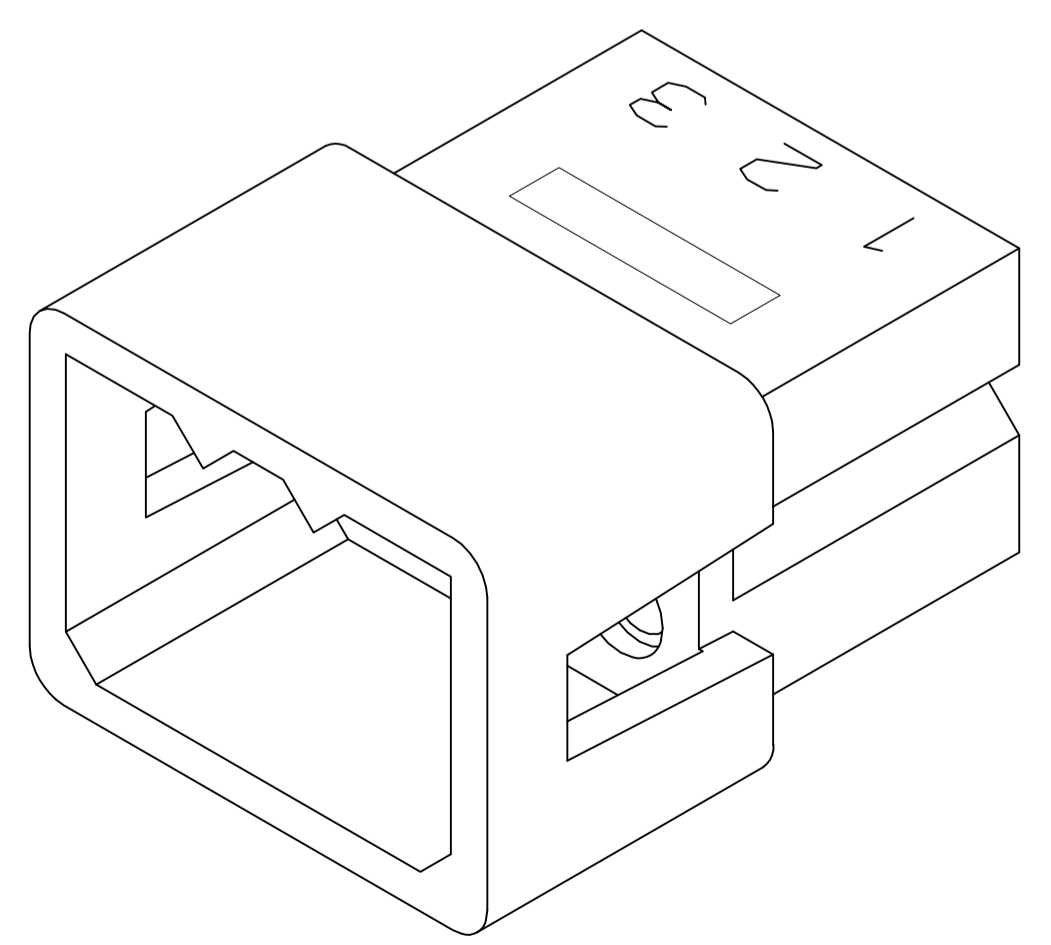
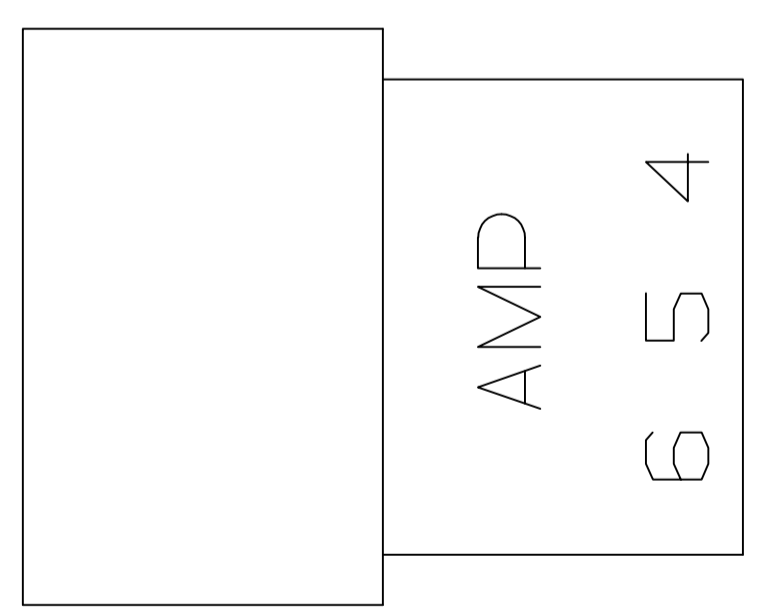
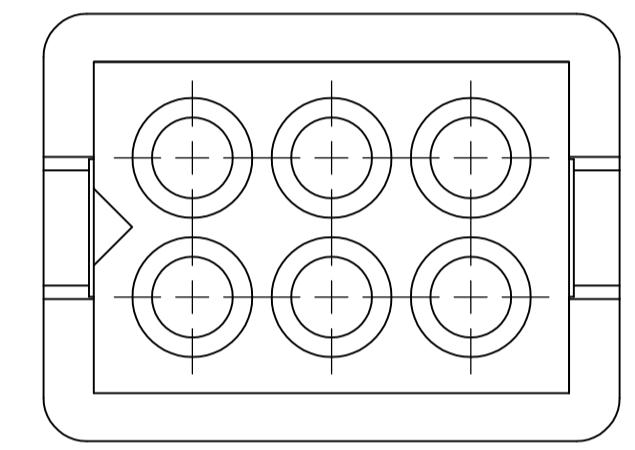
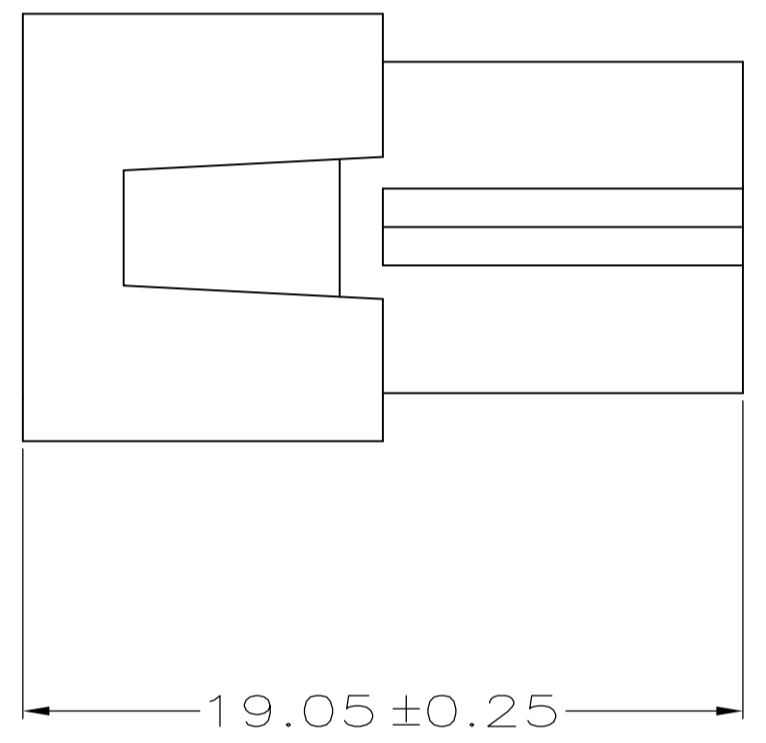
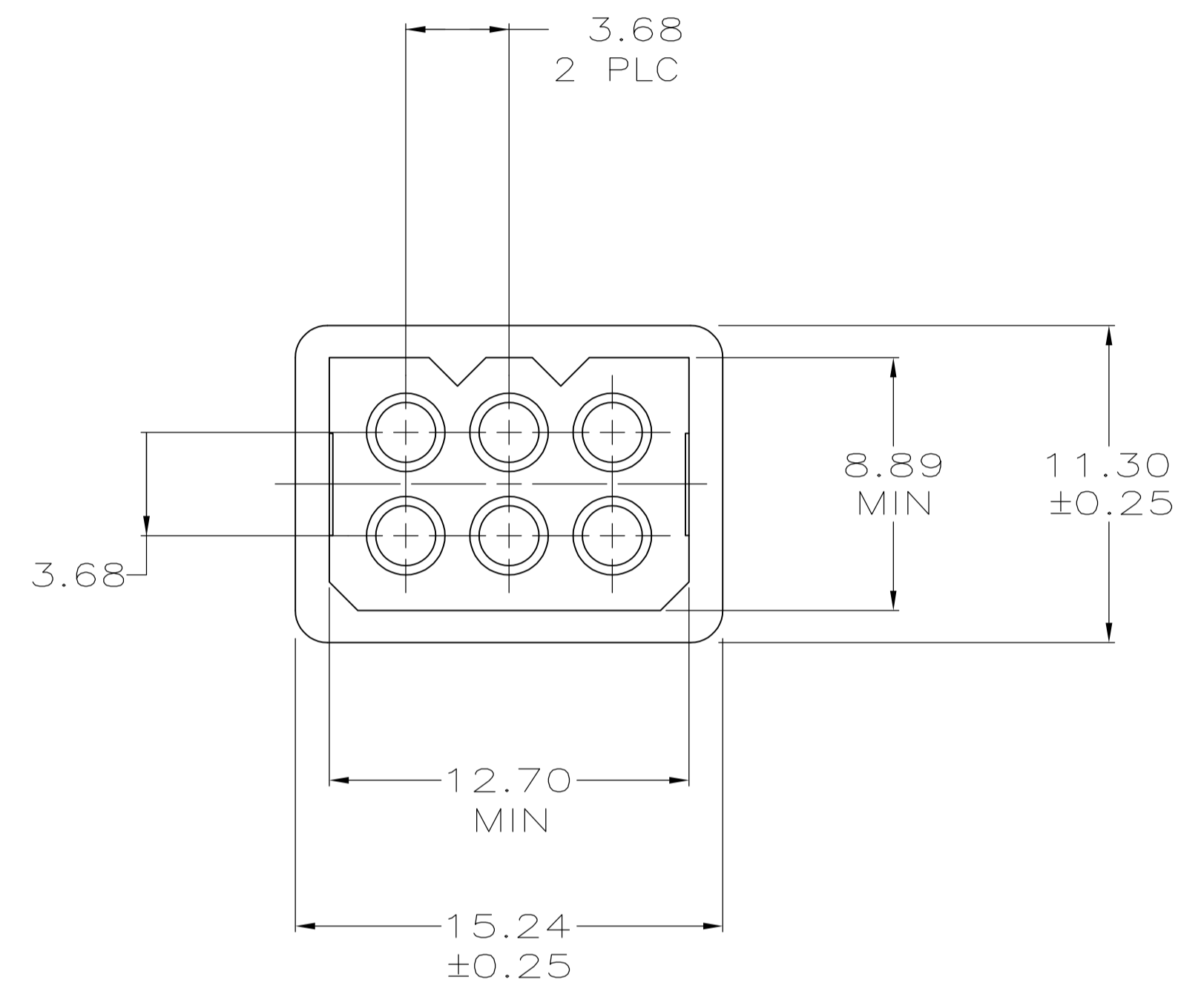
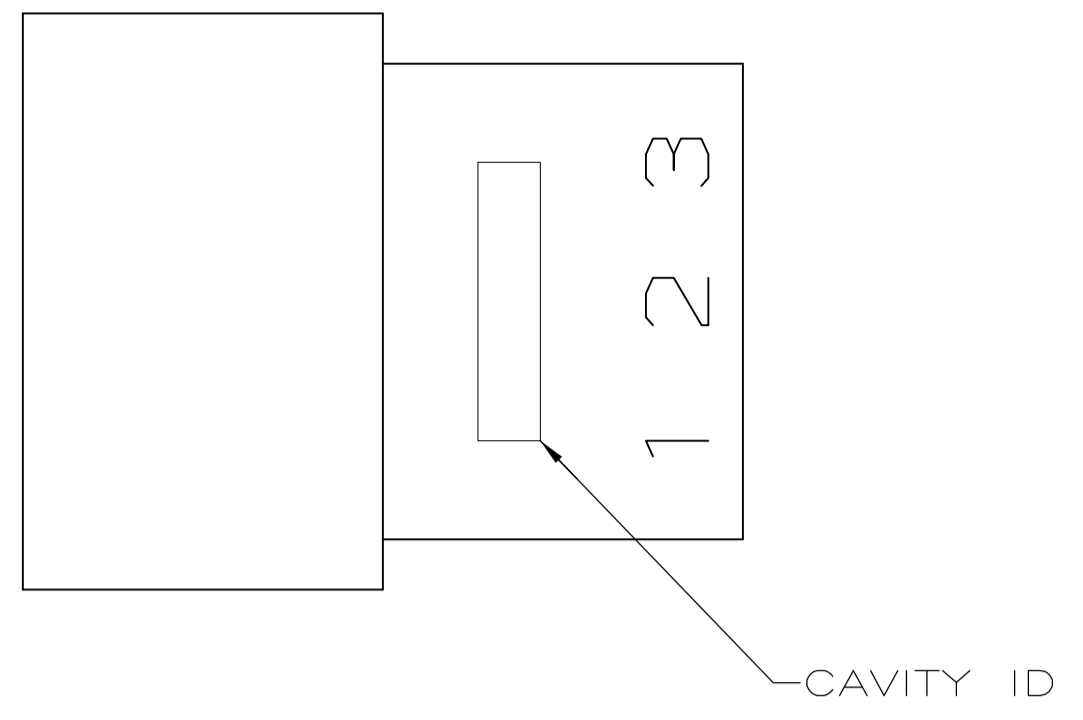


⚠ PRELIMINARY - NOT FOR PRODUCTION.



3-DIMENSIONAL MODEL
NTS

19.05	.750
15.24	.600
12.70	.500
11.30	.445
8.89	.350
3.68	.145
1.58	.062
0.25	.010
0.13	.005
MM	IN

CONVERSION TABLE

METRIC

THIS DRAWING IS A CONTROLLED DOCUMENT.		DIN K. WHITAKER 10-02-96	Tyco Electronics Corporation Harrisburg, PA 17105-3608	
DIMENSIONS: mm		CHK R. SWING 10-02-96	NAME Tyco Electronics	
TOLERANCES UNLESS OTHERWISE SPECIFIED:		APVD C. CASH 10-09-96	PRODUCT SPEC	
0 PLC ± -		APPLICATION SPEC		
1 PLC ± -		SIZE		
2 PLC ± 0.13		CAGE CODE		
3 PLC ± -		DRAWING NO		
4 PLC ± -		RESTRICTED TO		
ANGLES ± -		A1 00779 C=770355		
MATERIAL SEE TABLE	FINISH -	WEIGHT -	CUSTOMER DRAWING	
		SCALE	SHEET	REV
		5:1	1 of 1	C1

VO NYLON, NATURAL	1	770355-2
V2 NYLON, NATURAL		770355-1
MATERIAL		PART NUMBER