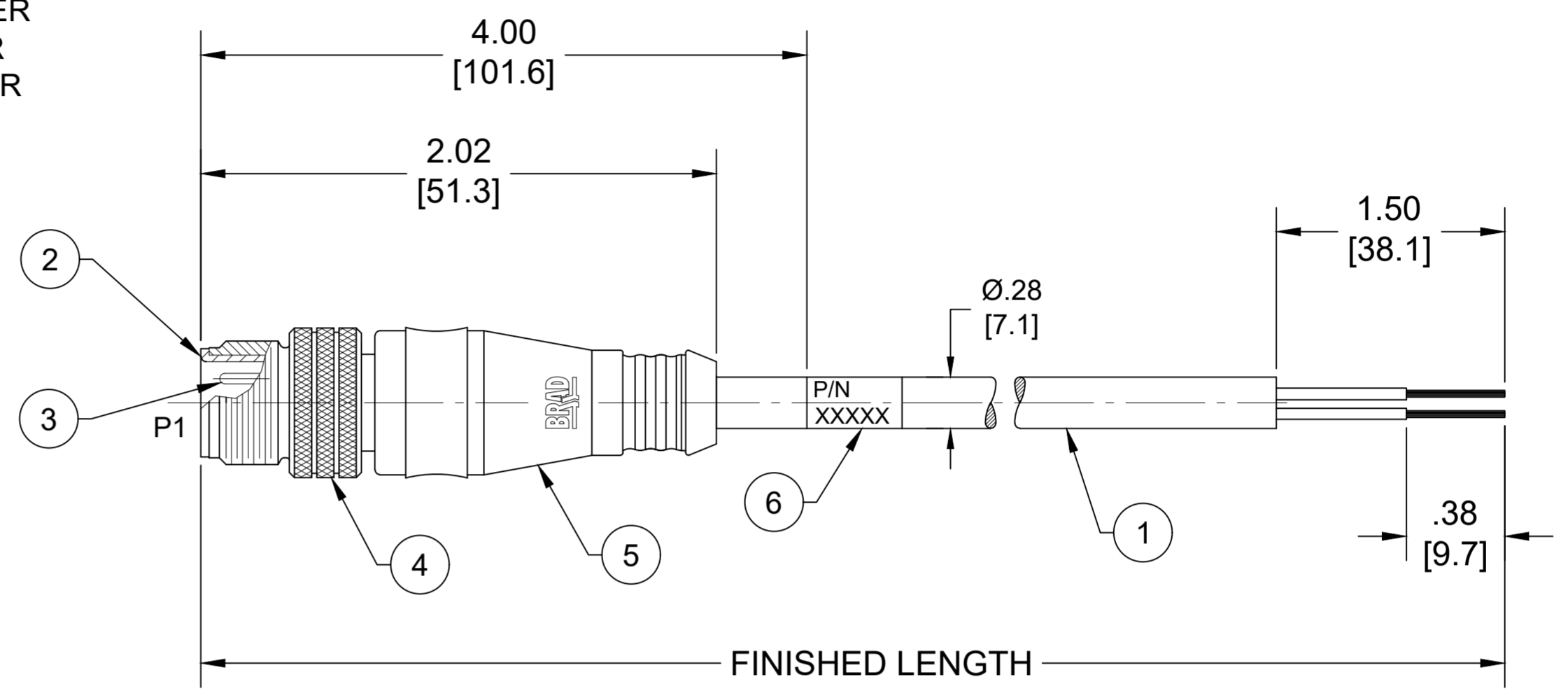
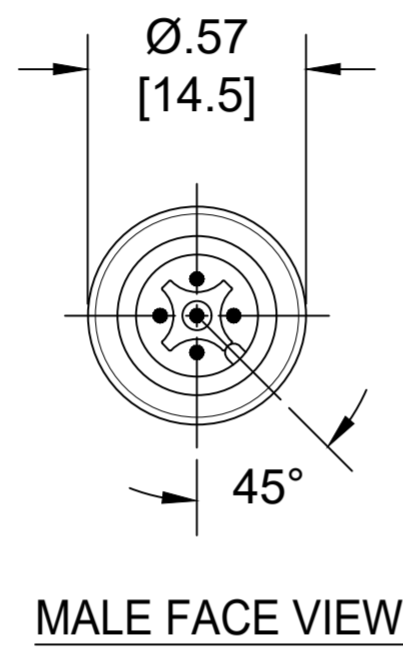


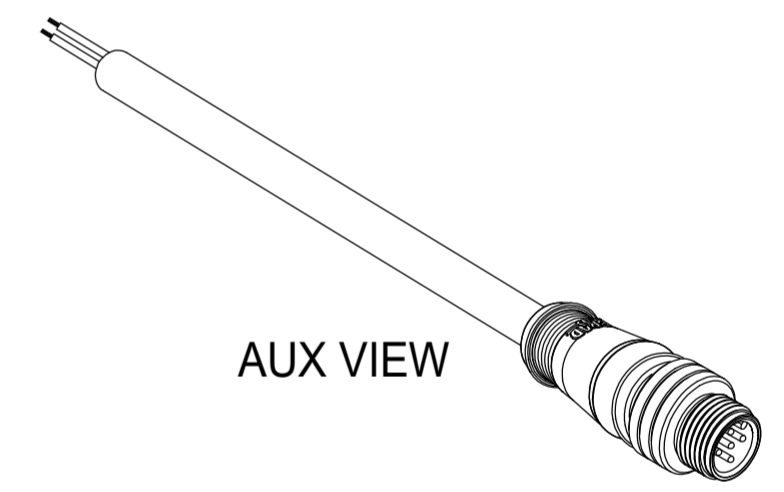
**PART NUMBER LEGEND**  
**805006K03M010**

FINISHED LENGTH  
M005 = 0.5 METER  
M010 = 1 METER  
M100 = 10 METER



| PART NO    | ENGINEERING NO. | FINISHED LENGTH |
|------------|-----------------|-----------------|
| 1200659221 | 805006K03M010   | 1M [3FT 3 IN]   |
| 1200652423 | 805006K03M150   | 15M [49FT 2 IN] |
| 1200659223 | 805006K03M300   | 30M [98FT 5 IN] |

- NOTES:**
- MATERIAL: AS NOTED
  - FINISH: AS NOTED
  - ELECTRICAL:  
VOLTAGE: 250V  
CURRENT: 4A
  - TEMP RATING: -20° TO +105°C
  - PROTECTION: IP67 (WHEN MATED)
  - COUPLING THREAD: M12X1
  - UL RECOGNIZED FILE: E152210  
CSA CERTIFIED FILE: LR6837
  - ALL DIMENSIONS ARE FOR REFERENCE  
UNLESS TOLERANCED OR NOTED OTHERWISE



**P1**

|   |       |
|---|-------|
| 1 | BROWN |
| 2 | WHITE |
| 3 | BLUE  |
| 4 | BLACK |
| 5 | GRAY  |

**CABLE LENGTH TOLERANCES**

|                          |                         |
|--------------------------|-------------------------|
| < .3M [1FT]:             | +19mm-0 [+ .75in-0]     |
| .3 - .9M [1 - 3FT]:      | +44.5mm-0 [+1.75in-0]   |
| .9 - 1.8M [3 - 6FT]:     | +55.6mm-0 [+2.19in-0]   |
| 1.8 - 3.7M [6 - 12FT]:   | +88.9mm-0 [+3.50in-0]   |
| 3.7 - 7.3M [12 - 24FT]:  | +165.1mm-0 [+6.50in-0]  |
| 7.3-14.6M [24 - 48FT]:   | +317.5mm-0 [+12.50in-0] |
| 14.6 - 30.5M [48-100FT]: | +622.3mm-0 [+24.50in-0] |
| OVER 30M [100FT]         | +2% OF FINISHED LENGTH  |

| ITEM | DESCRIPTION      | MATERIAL     | FINISH           |
|------|------------------|--------------|------------------|
| 6    | WRAP LABEL       | VINYL        | BLACK/YELLOW     |
| 5    | OVERMOLD         | TPC          | YELLOW           |
| 4    | COUPLING NUT     | BRASS        | TEFLON/NICKEL    |
| 3    | CONTACT PIN      | COPPER ALLOY | GOLD OVER NICKEL |
| 2    | MALE INSERT      | PUR          | BLACK            |
| 1    | CABLE #18AWG (C) | TPE JACKET   | YELLOW           |

**WIRING DIAGRAM**

|  |   |                        |   |                            |
|--|---|------------------------|---|----------------------------|
| FUNCTIONAL SYMBOLS                                   | THIS DRAWING CONTAINS INFORMATION THAT IS PROPRIETARY TO MOLEX ELECTRONIC TECHNOLOGIES, LLC AND SHOULD NOT BE USED WITHOUT WRITTEN PERMISSION |                        | CURRENT REV DESC: CABLE CHANGED TO 18AWG. REVISED FLEX DATA |                            |
|  | DIMENSION UNITS   | SCALE                  | EC NO: 715560   |                            |
|  | INCH/MM   | NTS                    | DRWN: RSTONE  | 2022/07/26                 |
|  | GENERAL TOLERANCES (UNLESS SPECIFIED)   |                        | CHK'D: MZIELINSKI   | 2022/07/27                 |
| DIVISIONAL SYMBOLS                                   | mm  |                        | APPR: BWOODMAN  |                            |
|  | INCH  |                        | 2022/08/05  |                            |
|  | 4 PLACES  | ±----                  | INITIAL REVISION:   |                            |
|  | 3 PLACES  | ±----                  | DRWN: BWOODMAN  |                            |
| 2 PLACES   | ±----   | 2009/08/17             |   |                            |
| 1 PLACE  | ±----   | APPR: JFMURPHY         |   |                            |
| 0 PLACES   | ±----   | 2009/08/21             |   |                            |
| ANGULAR TOL ± ---- °                                 |   | THIRD ANGLE PROJECTION | DRAWING   | SERIES                     |
| DRAFT WHERE APPLICABLE MUST REMAIN WITHIN DIMENSIONS |   |                        | C-SIZE  | 120065                     |
| DOCUMENT STATUS                                      |   | P1                     | RELEASE DATE  | 2022/08/05 23:42:29        |
| DOCUMENT NUMBER                                      |   | SD-120065-021          |   | DOC TYPE/DOC PART/REVISION |
| SEE CHART  |   | GENERAL MARKET         | PSD 001 C   |                            |
| SHEET NUMBER   |   | 1 OF 1                 |   |                            |